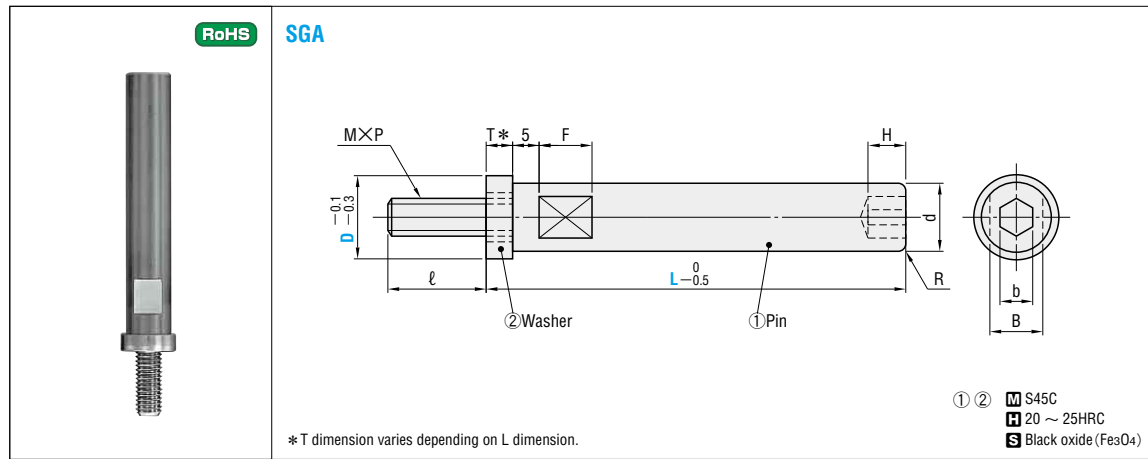


# SPRING GUIDE PINS

# SPRING GUIDE RETAINERS



MXP	l	b	H	B	F	R	T	d	Coil spring SW				Catalog No.		L 5mm increments
									C	F	L-M-H B-G-Z-V	X	Type	D	
4×0.7	7	3	3	4	8	1	3	6	φ12	φ14	φ14	—	SGA	7	20~50
									φ14	φ16	φ16	—		8	
5×0.8	8	4	3	6	8	1.5	4	8	—	φ18	φ18	φ20	SGA	9	20~75
									φ18	—	φ20	φ22		10	
6×1.0	10	5	4	8	8	2	5	10	—	φ20-22	φ22	φ25	SGA	11	20~85
									φ20	—	φ25	φ27		12.5	
8×1.25	17 (12)	6	4	11	10	2.5	5 (10)	13	φ22	φ25-27	φ27	φ30	SGA	13.5	20~125
									φ25	φ30	—	—		15	
10×1.5	20 (15)	8	5	14	12	3	5 (10)	16	φ27	—	φ35	φ35	SGA	17.5	30~185
									—	φ35	—	—		19	
12×1.75	23 (18)	10	6	17	14	3	5 (10)	20	—	φ40	—	—	SGA	22	30~215
									—	φ50	—	—		25	
16×2.0	27 (22)	14	8	22	16	3	5 (10)	25	—	—	φ60	—	SGA	30	50~215
									—	φ60	—	—		33	

⚠ No spanner groove is machined when L dimension is 20 for SGA7 ~ 12.5, when L dimension is 20 ~ 25 for SGA13.5 ~ 16, and when L dimension is 30 ~ 35 for SGA17.5 ~ 27.5.  
 ⚠ For SGA13.5 ~ 33, when the L dimension is a 5 mm size (L=25, 35, 45...), then the T and l dimensions are those shown in ( ).  
 ⚠ "Coil spring" indicates the outer diameter dimension of the spring.

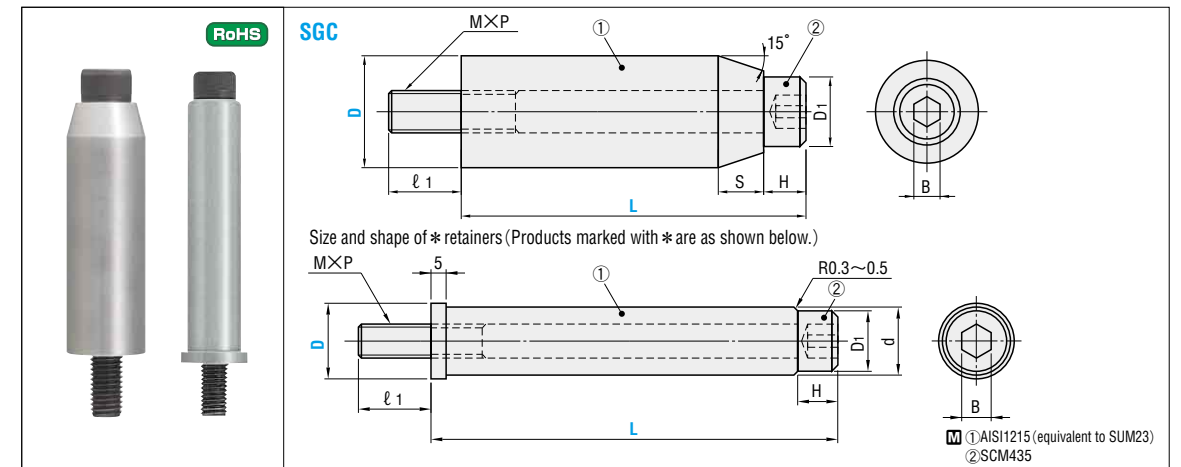
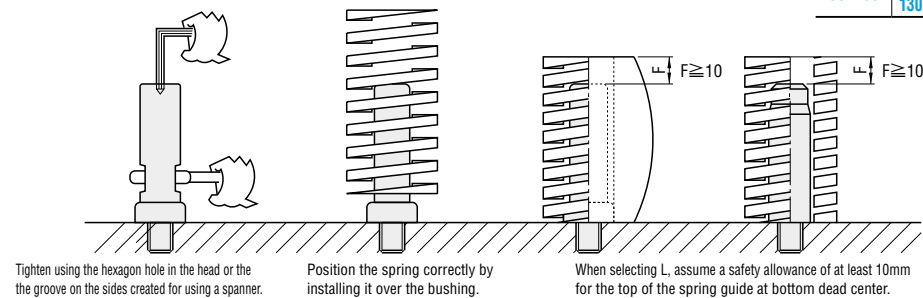
Order **Catalog No.** — **L**  
SGA 20 — 125

Price **Quotation**

Days to Ship **Quotation**

Example

D	L	Base unit price 1~19 pieces	D	L	Base unit price 1~19 pieces
7-8	20~50	Quotation	17.5~20	30~105	Quotation
9-10	20~75	Quotation	22~27.5	30~125	Quotation
11-12.5	20~85	Quotation	30-33	130~215	Quotation
13.5~16	20~85	Quotation		50~125	Quotation
	90~125	Quotation		130~215	Quotation



D	d	D1	B	M × P	H	S	l1	Coil spring SW				Catalog No.	Base unit price 1~19 pieces
								C	F	L-M-H B-G-Z-V	X		
6	—	4.5	2	M2.5 × P0.45	2.5	2	9.5	φ12	φ14	φ14	—	SGC6-18	23
								φ14	φ16	φ16	—		
8	—	5.5	2.5	M3 × P0.5	3	3	8	φ16	φ18	φ18	φ20	SGC8-20	30
								φ18	φ20	φ20	φ22		
10	—	7	3	M4 × P0.7	4	4	9	φ18	φ20	φ22	φ25	SGC10-20	30
								φ20	φ22	φ25	—		
12	—	8.5	4	M5 × P0.8	5	4	10	φ22	φ25	φ27	φ27	SGC12-20	30
								φ25	φ27	—	—		
14	—	10	5	M6 × P1.0	6	4	11	φ25	φ30	φ30	φ30	SGC14-12	20
								φ30	—	—	—		
16	—	13	6	M8 × P1.25	8	5	13	φ27	φ35	φ35	φ35	SGC16-18	30
								φ35	—	—	—		

Order **Catalog No.**  
SGC 20-23

Days to Ship **Quotation**

Price **Quotation**

D	d	D1	B	M × P	H	S	l1	Coil spring SW				Catalog No.	Base unit price 1~19 pieces
								C	F	L-M-H B-G-Z-V	X		
19	—	—	—	M10 × P1.5	10	5	17	φ30	—	φ40	φ40	SGC19-28	40
								—	—	—	—		
20	—	17	16	8	10	5	17	—	φ40	—	—	SGC20-23	40
								—	—	—	—		
23	—	—	—	M12 × P1.75	12	8	22	—	—	φ50	—	SGC23-30	40
								—	—	—	—		
26	—	—	—	M12 × P1.75	12	8	22	—	φ50	—	—	SGC26-28	60
								—	—	—	—		
28	—	—	—	M12 × P1.75	12	12	22	—	—	(φ60)	—	SGC28-30	40
								—	—	—	—		
31	—	—	—	M12 × P1.75	12	12	22	—	φ60	—	—	SGC31-28	40
								—	—	—	—		
36	—	—	—	M12 × P1.75	12	15	22	—	φ70 (φ70)	—	—	SGC36-40	60
								—	—	—	—		

⚠ "Coil spring" indicates the outer diameter dimension of the spring.  
 ⚠ (φ) size can be used only with SWL-M-H-B

COIL SPRINGS