


BAND HEATERS/BAND SENSORS

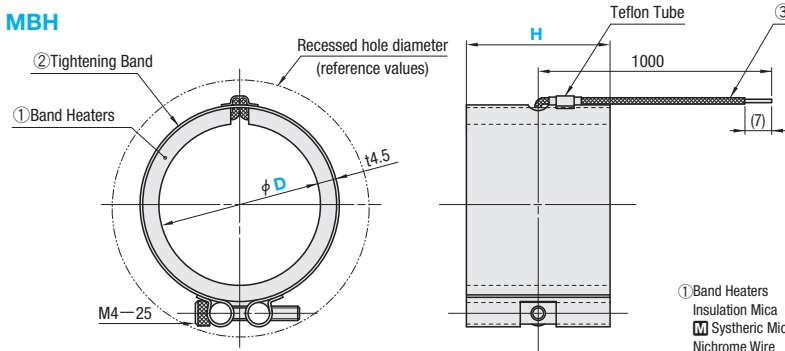
LEAD WIRES FOR HEATER

ⓘ Non JIS material definition is listed on P.1351 - 1352

Band Heaters RoHS



MBH



① Band Heaters
Insulation Mica
M Systheric Mica
Nichrome Wire
M Nickel Chrome ribbon wire

② Tightening band
M SUS430

③ Leads
M Heat-resistant glass wire

①~② Heat resistance: 300°C ③ Lead heat resistance temperature 180°C

H	D	28	30	35	40	45	50
30	130	140	165	200	220	250	250
35	150	165	200	220	250	300	300
40	175	200	220	250	300	320	320
45	200	220	250	300	320	350	350
50	220	250	300	320	350	400	400
60	—	250	300	350	400	450	450
70	—	290	350	400	450	500	500
80	—	330	400	450	550	600	600
90	—	370	450	500	600	650	650
100	—	420	500	550	650	700	700

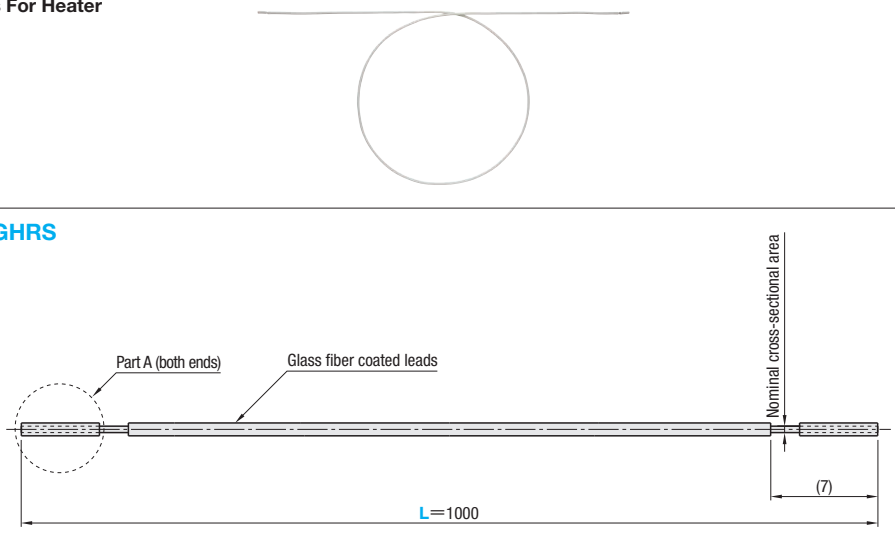
V (Voltage)	W/cm ² (Watt density)	Recessed hole diameter (reference)	Part Number Type	D	H (Thickness of Band)	U/Price 1~9					
220	W/cm ² = W×100/(H×D×3.14)	(60)	MBH	28	30~50 (5mm increments) 60~100 (10mm increments)	H30~40	H45·50	H60·70	H80	H90·100	Quotation
		(64)		30							
		(70)		35							
		(74)		40							
		(80)		45							
(84)	50										

Order **Part Number** — **H**
MBH28 — 40

Days to Ship **Quotation**

Price **Quotation**

Lead Wires For Heater RoHS



10PACK—GHRS

ⓘ Note: 10PACK-GHRS is the packing for 10 pcs.
ⓘ Section A is stripped of coating, but a part of coating is left to facilitate operation. Coating can be easily removed with hand.


Lead heat resistance temperature: 180°C or lower

Lead nominal cross-sectional area [mm ² , (sq)]	Max. usable wattage At 100V/At 200V	Max. usable current (A)	Part Number			L	U/Price 1~5 PACK
			PACK	Type	No.		
0.75	750 1500	7.5	10PACK	GHRS	0.75	1000	Quotation
1.25	1250 2500	12.5			1.25		
2	1750 3500	17.5			2		

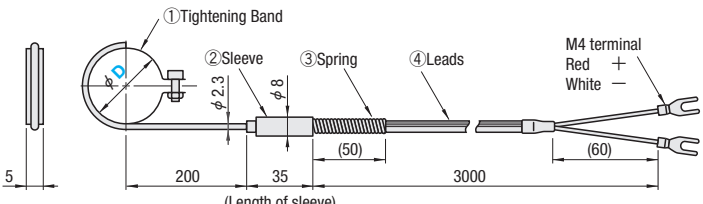
Order **Part Number** — **L**
10PACK—GHRS 1.25 — 1000

Days to Ship **Quotation**

Band Sensors RoHS



SSMB (K type)



The Highest use temperature 450°C ⓘ Use the sleeve at a temperature of no more than 90°C. M SUS304

Part Number Type	D	U/Price 1~9
SSMB	25	Quotation
	30	
	35	
	40	
	45	
	50	

Order **Part Number**
SSMB30

Days to Ship **Quotation**

Price **Quotation**