


# PRECISION EJECTOR LEADER PINS

—BOLT FIXING COUNTERBORE TYPE—

# PRECISION EJECTOR LEADER PINS

—THROUGH BOLT HOLE TYPE—

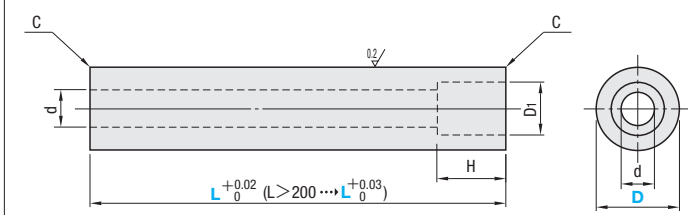
ⓘ Non JIS material definition is listed on P.1351 - 1352





**RoHS**


**EGZA**

D	C
16~30	0.5
35~40	1.0



ⓘ All pieces are ground together when 8 pieces or less are ordered.  
(Although the tolerance of L dimension is as indicated, its dispersion is kept within a 0.01 range.)

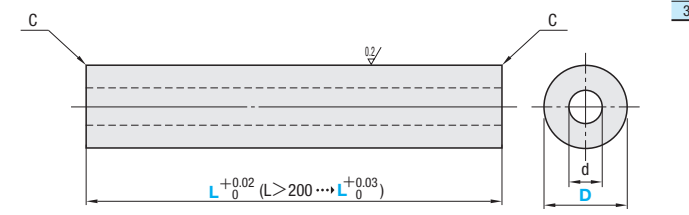
 SUJ2  
 58HRC~  
 (Induction hardening)





**RoHS**

**EGHA**

D	C
16~30	0.5
35~40	1.0





ⓘ All pieces are ground together when 8 pieces or less are ordered.  
(Although the tolerance of L dimension is as indicated, its dispersion is kept within a 0.01 range.)


 SUJ2  
 58HRC~  
 (Induction hardening)


Applicable bolt size (M)	D	d	D <sub>1</sub>	H	Part Number Type	D	L		U/Price
							5mm increments	1~9	
M6	16	7	11	7	EGZA	16	50~70	Quotation	
							75~90		
M8	20	9	14	9		20	50~70	Quotation	
							75~90		
M8	25	9	14	9	25	50~70	Quotation		
						75~90			
M10	30	11	18	13	30	50~70	Quotation		
						75~90			



Applicable bolt size (M)	D	d	D <sub>1</sub>	H	Part Number Type	D	L		U/Price
							5mm increments	1~9	
M10	35	11	18	13	EGZA	35	50~70	Quotation	
							75~90		
M12	40	14	20	15		40	50~70	Quotation	
							75~90		

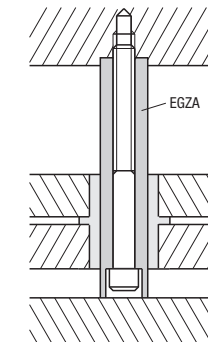
 Order: Part Number — L  
 EGZA30 — 50

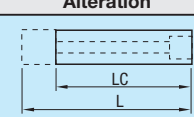
 Days to Ship: **Quotation**

 Price: **Quotation**

 Alterations: Part Number — L (LC)  
 EGZA30 — LC 128.5


 Example  
 Pin: counterbore type  
 Bushing: Plain type  
 P.968





Alteration	Code	Spec.	1Code
	LC	Changes the full length. LC=0.1mm increments ⓘ 50 < LC < Lmax.	<b>Quotation</b>


Applicable bolt size (M)	D	d	Part Number Type	D	L		U/Price
					5mm increments	1~9	
M6	16	7	EGHA	16	50~70	Quotation	
					75~90		
M8	20	9		20	50~70	Quotation	
					75~90		
M8	25	9	25	50~70	Quotation		
				75~90			
M10	30	11	30	50~70	Quotation		
				75~90			



Applicable bolt size (M)	D	d	Part Number Type	D	L		U/Price
					5mm increments	1~9	
M10	35	11	EGHA	35	50~70	Quotation	
					75~90		
M12	40	14		40	50~70	Quotation	
					75~90		

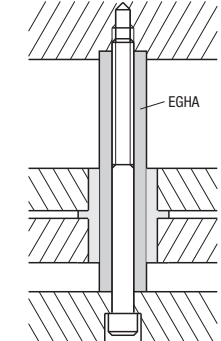
 Order: Part Number — L  
 EGHA30 — 50

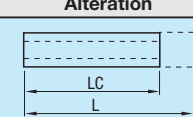
 Days to Ship: **Quotation**

 Price: **Quotation**

 Alterations: Part Number — L (LC)  
 EGHA30 — LC 128.5

 Example  
 Pin: Through bolt hole type  
 Bushing: Plain type  
 P.968



Alteration	Code	Spec.	1Code
	LC	Changes the full length. LC=0.1mm increments ⓘ 50 < LC < Lmax.	<b>Quotation</b>

Components of Ejector Space