
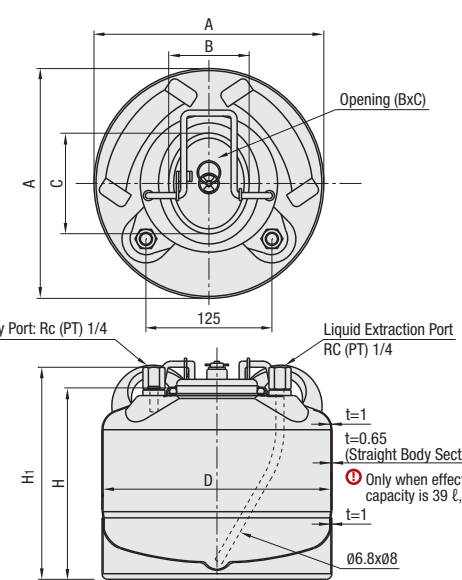


Pressure Tanks

Simplified Type



Type	Material		Surface Finish	Normal Operating Pressure
	O-Ring	Others		
TNKD	Nitrile Rubber	Refer to "Component List"	Inner Surface-Deoxidized Outer Surface-Hairline	0.49 MPa or lower
TNKDF	Fluororubber			



Component List

Part No.	Name of Parts	Material
(1)	Pressure Tank Body	304 Stainless Steel
(2)	Pressure Air Pipe	304 Stainless Steel
(3)	Suction Pipe	304 Stainless Steel
(4)	O-Ring	Nitrile Rubber
(5)	Hex Reducing Sockets	304 Stainless Steel
(6)	Relief Valve	304 Stainless Steel
(7)	Lid for Pressure Tank	304 Stainless Steel
(8)	Handle for Locking Lid	304 Stainless Steel
(9)	O-Ring	Nitrile Rubber
(10)	Carrying Handle	304 Stainless Steel

① Only when effective capacity is 39 ℓ, t=1.2.
② Only when effective capacity is 39 ℓ, t=1.2.
③ Only when effective capacity is 39 ℓ, t=1.2.

RoHS 10

Type	Part Number		At Full Capacity (ℓ)	Inner Diameter D	Effective Capacity Depth H	H ₁	A	B	C	Weight kg
	Effective Capacity (ℓ)	At Full Capacity (ℓ)								
TNKD	5	5.2	226.7	192	210	228	81	97	7.4	
	10	10.3								
	20	20.5								
	39	39.0								

Part Number Example

Part Number: **TNKD5**

Part Number Alterations

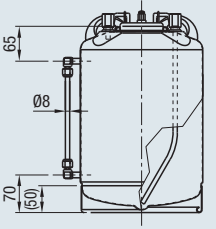
Part Number: **TNKD20 - LG-FS**

Alterations

Code: LG

Spec.: Install level gauge to provide visual view of the liquid level. Install level gauge at a position of 65mm from upper surface and 70mm from the bottom outside of the tank.

⊗ TNKD5 is not applicable.

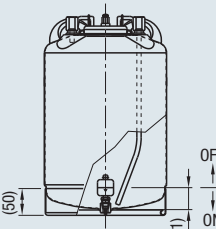


Alterations

Code: FS


Spec.: Install a switch to operate as alarm or signal of level of liquids such as water and oil. Switch will be turned on at a position of 41 mm or lower from bottom of the tank.

① For details of Low Level Float Switches, refer to P.3455.



Pressure Tanks

Standard / Fixed Holes & Selectable Type



Type	Material	Surface Finish	Normal Operating Pressure
TNKA	304 Stainless Steel	Nitrile Rubber	0.5 Mpa or Lower
TNKAH			
TNKA2	304 Stainless Steel	Nitrile Rubber	0.5 Mpa or Lower
TNKAH3			
TNKA4	304 Stainless Steel	Nitrile Rubber	0.5 Mpa or Lower
TNKAH4			

① Feature of Nitrile Rubber / Fluororubber P.2567. ② Feature of O-Ring: P.3449, 3529.

Number of Holes Fixed Type: 3 Holes (4.4 or less)

3 Holes (11ℓ)

Lid (Number of Holes Fixed) For 3 Hole

Lid (Number of Holes Selectable Type) 3-5 Holes

① Values in () are for effective capacity 11ℓ. ② For no hole type, there is no PT hole. ③ For detailed clamp dimension, refer to P.3529. ④ Please read "Precautions for Use" and "Handling Instruction" on P.3449 before use.

RoHS 10

Part Number	Type	Effective Capacity (ℓ)	Number of Holes Selection for Fixed Type	① For "Number of Holes Selectable Type" Only		At Full Capacity (ℓ)	Inner Diameter D	Effective Capacity Depth H	At Full Capacity Depth H ₁	H ₂	T	h
				Number of Holes	* Rc (PT)							
Number of Holes Fixed Type TNKA TNKAH (O-Ring: Nitrile Rubber) TNKA2 TNKAH2 (O-Ring: Fluororubber)	1.6	5.2	0	3	1 (1/8)	1.7	95.6	230	250	270	8	4
	2.2	10.3	0	4	2 (1/4)	2.4	108.3	250	270	290		
	3.1	20.5	0	5	3 (3/8)	3.4	133	230	250	273		
	4.4	39.0	3	5	3 (3/8)	4.8	158.4	230	250	275		
Number of Holes Selectable Type		11	3	5		11.8	208.3	330	350	377	12	5

① To specify "marked Q, R, S, X and Y, use the numbers in front of () : 1, 2, 3.
② Full capacity level is a theoretical value that is obtained by calculation (base area x depth). Use within the effective depth (up to -20 mm from upper surface).
③ Reference: Effective Capacity (ℓ) = Radius cm (D / 2 / 10) x 3.14 x Depth at Effective Capacity cm (H / 10) / 1000 (At full capacity, H₁ is used as H)

④ For Number of Holes Selectable Type, choose between Q-Y according to the number of holes. Specify up to S for the 3 holes, up to Y for the 5 holes.

Part Number Example

Part Number: **TNKA2.2 - 3 - Q - R - S - X - Y**

Number of Holes Fixed Type: 3 Holes **TNKA2.2 - 3 -**

Number of Holes Selectable Type: 3 Holes **TNKAH3.1 - 3 - Q2 - R3 - S3**

Number of Holes Selectable Type: 5 Holes **TNKAH4.4 - 5 - Q1 - R2 - S3 - X2 - Y2**

Part Number Alterations

Part Number: **TNKA2.2 - 4 - Q2 - R2 - S3 - X3 - FS**

Part Number: **TNKA2.2 - 4 - Q2 - R2 - S3 - X3 - FS**

Part Number: **TNKA2.2 - 4 - Q2 - R2 - S3 - X3 - FS**

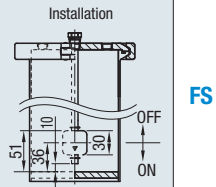
Part Number: **TNKA2.2 - 4 - Q2 - R2 - S3 - X3 - FS**

Alterations

Code: FS

Spec.: Install a switch to operate as alarm or signal of level of liquids such as water and oil. Stern tip will be suspended at 10 mm from bottom of Tanks.

① For details of Low Level Float Switches, refer to P.3455.

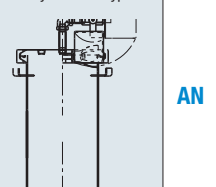


Alterations

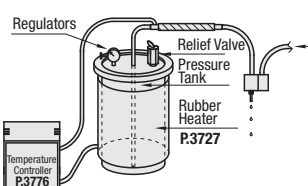
Code: AN

Spec.: Install Safety Cover and Support Angle.

① For details of features and dimensions, see overview page: P.3449.
② Applicable only to Number of Hole Fixed Type



Application Example



Regulators, Relief Valve, Pressure Tank, Rubber Heater P.3727, Temperature Controller P.3776

Pump feed a material whose viscosity changes with surrounding temperature, while maintaining the viscosity constant, by controlling the temperature.