
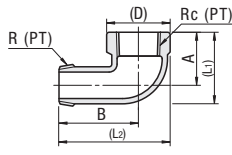

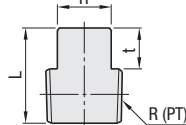

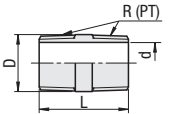

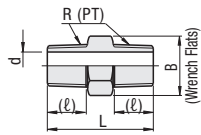
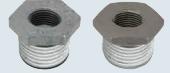
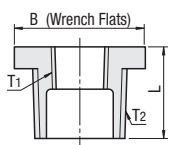


Low Pressure Steel Pipe Fittings (With Seal Coating)

Female / Male Elbow / Plug / Round Nipples / Hexagon Nipples / Bushings

Feature: Male threads are coated. Provides immediate out of the box operation.

	Type	Material	Surface Treatment
	SGCEL	FCMB270	Hot Zinc Plating
	SUCEL	CF-8 Stainless Steel Cast	—
			
Allowable temperature: 150°C			
	Type	Material	Surface Treatment
	SGCPP	FCMB270	Hot Zinc Plating
	SUCPP	CF-8 Stainless Steel Cast	—
			
Allowable temperature: 150°C			
	Type	Material	Surface Treatment
	SGCNP	SGP	Hot Zinc Plating
	SUCNP	304 Stainless Steel	—
			
Allowable temperature: 150°C			
	Type	Material	Surface Treatment
	SGCNR	FCMB270	Hot Zinc Plating
	SUCNR	CF-8 Stainless Steel Cast	—
			
Allowable temperature: 150°C			
	Type	Material	Surface Treatment
	SGCPB	FCMB270	Hot Zinc Plating
	SUCPB	CF-8 Stainless Steel Cast	—
			
Allowable temperature: 150°C			

Part Number	R Rc (PT)	(D)	(L ₁)	(L ₂)	A	B	(D)	(L ₁)	(L ₂)	A	B	
SGCEL SUCEL	6A	1/8	19	23	36	17	26	14.5	22	33	17	26
	8A	1/4	22	26	42	19	30	21	26	41	19	30
	10A	3/8	27	31	48	23	35	25	32	48	23	35
	15A	1/2	31	38	56	27	40	29	38	55	27	40
	20A	3/4	36	45	66	32	47	36	46	65	32	47
	25A	1	45	55	76.5	38	54	44	55	76	38	54

Part Number	R (PT)	Square Size H	t	L		
SGCPP SUCPP	6A	1/8	7	7	16	16
	8A	1/4	9	8	19	19
	10A	3/8	12	9	21	21
	15A	1/2	14	10	26	25
	20A	3/4	17	11	29	28
	25A	1	19	12	31	31

Part Number	R (PT)	D	L	d		
SGCNP SUCNP	6A	1/8	10.5	24	6.5	6.5
	8A	1/4	13.8	26	8.7	9.7
	10A	3/8	17.3	28	12.1	13.1
	15A	1/2	21.7	34	15.8	15.5
	20A	3/4	27.2	38	21.6	21.3
	25A	1	34	42	27.8	28.1

Part Number	R (PT)	B	L	(ℓ)	d		
SGCNR SUCNR	8A	1/4	17	34	12	7	7
	10A	3/8	21	36	13	9	9
	15A	1/2	26	42	16	13	13
	20A	3/4	32	47	18	18	16
	25A	1	38	52	20	24	22

Part Number	Rc (PT)	R (PT)	L	B	
SGCPB SUCPB	12	1/8	1/4	17	17
	13	1/8	3/8	18	21
	23	1/4	3/8	18	21
	24	1/4	1/2	21	26
	34	3/8	1/2	21	26
	36	3/8	3/4	24	32
	46	1/2	3/4	24	32


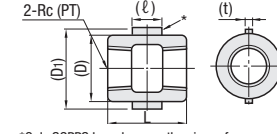

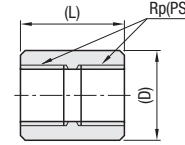

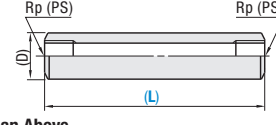
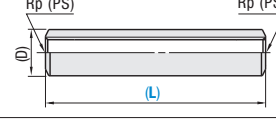

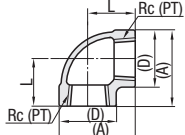

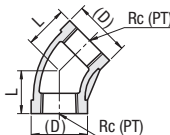

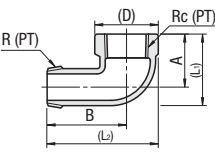
CAUTIONS

- Not applicable to steam plumbing.
- Once fittings are used, the function of the thread coating resin is impaired. Thus, wrap seal tape around fittings before use.

Part Number Example **SGCEL25A**
Part Number **SGCPP20A**

Low Pressure Steel Pipe Fittings (Equal Size Pipe Threads)

Socket / Parallel Tapped (PS) Socket / Long Sockets / Elbow / 45° Elbow / Female / Male Elbow

	Type	Material	Surface Treatment
	SGPPS	FCMB270	Hot Zinc Plating
	SUTPS	304 Stainless Steel	—
	SUTPSS	316 Stainless Steel	—
			
*Only SGPPS has claws on the circumference.			
	Type	Material	Surface Treatment
	SGPRP	Carbon Steel Pipes	Hot Zinc Plating
	SUTRP	304 Stainless Steel	—
			
	Type	Material	Surface Treatment
	SUTPSR	304 Stainless Steel	—
No. 6A, 8A, 10A-75			
			
Other Than Above			
			
	Type	Material	Surface Treatment
	SGPPE	FCMB270	Hot Zinc Plating
	SUTPE	CF-8 Stainless Steel Cast	—
	SUTPES	CF-8M Stainless Steel Cast	—
			
	Type	Material	Surface Treatment
	SGPHE	FCMB270	Hot Zinc Plating
	SUTHE	CF-8 Stainless Steel Cast	—
			
	Type	Material	Surface Treatment
	SGPEL	FCMB270	Hot Zinc Plating
	SUTPEL	CF-8 Stainless Steel Cast	—
			

Part Number Example **SGPPT8A**
Part Number **SGPNR8A - 75**

Part Number	Rc (PT)	(D)	L	(D ₁)	(ℓ)	(t)	(D)	L	Available Types					
SGPPS SUTPS SUTPSS	6A	1/8	15	22	19	13	4	15	23	•	•	•	•	•
	8A	1/4	19	25	22	17	4	19	29	•	•	•	•	•
	10A	3/8	23	30	27	18	5	22	30	•	•	•	•	•
	15A	1/2	27	35	31	20	6	27	38	•	•	•	•	•
	20A	3/4	33	40	37	24	6	33	40	•	•	•	•	•
	25A	1	41	45	46	25	8	40	45	•	•	•	•	•
	32A	1 1/4	50	50	54	28	8	49	51	•	•	•	•	•
	40A	1 1/2	56	55	61	32	9	55.5	54	•	•	•	•	•
	50A	2	69	60	75	34	9	68	64	•	•	•	•	•

SUTPSS is not available for part type No. 6A, 32A, 40A and 50A.

Part Number	Rp (PS)	(D)	(L)	(D)	(L)	
SGPRP SUTRP	6A	1/8	15	19	13.8	20
	8A	1/4	19	27	17	25
	10A	3/8	23	28	21	26
	15A	1/2	28	37	25	33
	20A	3/4	34.5	39	31	36
	25A	1	41.5	46	38	43
32A	1 1/4	51	51	47	48	

Part Number	(L)	Rp (PS)	(D)
SUTPSR	6A	1/8	15
	8A	1/4	19
	10A	3/8	22
	15A	1/2	26.5
	20A	3/4	33

Part Number	Rc (PT)	(D)	L	(A)	(D)	L	(A)	Available Types					
SGPPE SUTPE SUTPES	6A	1/8	15	17	24.5	18	19	28	•	•	•	•	•
	8A	1/4	19	19	28.5	22	19	30	•	•	•	•	•
	10A	3/8	23	23	35	26	23	36	•	•	•	•	•
	15A	1/2	27	27	41	30	27	42	•	•	•	•	•
	20A	3/4	33	32	49	36	32	50	•	•	•	•	•
	25A	1	41	38	59.5	44	38	60	•	•	•	•	•
	32A	1 1/4	50	46	71.5	53	46	72.5	•	•	•	•	•
	40A	1 1/2	56	48	76.5	60	48	78	•	•	•	•	•
	50A	2	69	57	92	73	57	93.5	•	•	•	•	•

SUTPES is not available for part type No. 32A, 40A and 50A.

Part Number	Rc (PT)	(D)	L	(D)	L	
SGPHE SUTHE	6A	1/8	18	16	17	16
	8A	1/4	22	17	21	17
	10A	3/8	23	19	25	19
	15A	1/2	27	21	28	21
	20A	3/4	33	25	35	25
25A	1	41	29	42	29	

Part Number	R / Rc (PT)	(D)	(L ₁)	(L ₂)	A	B	(D)	(L ₁)	(L ₂)	A	B	
SGPEL SUTPEL	6A	1/8	18	23	35	17	26	14.5	22	33	17	26
	8A	1/4	22	26	41	19	30	19	24.3	39.5	19	30
	10A	3/8	26	31	48	23	35	23	29.8	46.5	23	35
	15A	1/2	30	38	55	27	40	27	35.8	53.5	27	40
	20A	3/4	36	45	65	32	47	33	43.3	63.5	32	47
	25A	1	44	55	76	38	54	41	52.5	74.5	38	54
	32A	1 1/4	53	67	88.5	46	62	50	64	87	46	62
	40A	1 1/2	60	72	98	48	68	56	68.5	96	48	68
	50A	2	73	87	115.5	57	79	69	83	113.5	57	79