


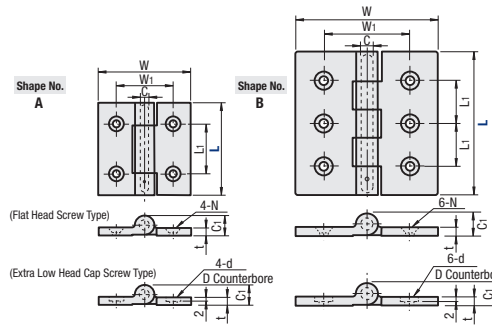
Hinges

for Heavy Loads / with Slotted Holes / Aluminum with Slotted Holes

Hinges for Heavy Loads



Type	Flat Head Screw	Extra Low Head Cap Screws	Material	Surface Treatment	Hinge Plate	Shaft
HHSZ	HHSZT		316 Stainless Steel	Buffed Surface	—	—
HHSZD	—		Zinc Die Casting	Chrome Plating	—	—




RoHS 10

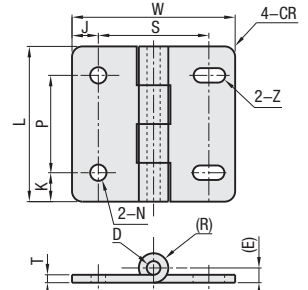
Part Number	Type	L	Shape No.	W	W ₁	L ₁	C	C ₁	t	HHSZ / HHSZD		HHSZT		Division	*Allowable Load (N)	Weight (g)
										N	D	d	D			
HHSZ	HHSZD	50	A	50	35	20	6	14	5	4.4	8.6	8.6	4.6	3	350	110
		65		65	40	35	5.6	10.6	9.6	5.6	450	190				
		75		75	50	40	6.6	12.6	10.6	6.6	650	305				
		100		100	60	30	6.6	12.6	—	—	850	500				
HHSZT	125	B	100	60	37.5	8	16	6	6.6	12.6	—	—	5	1000	650	

* The allowable load is the value when two pieces are used. L=100 is not available for HHSZD type. L=125 is not available for HHSZD and HHSZT types.

Hinges with Slotted Holes



SHPSNA



RoHS 10

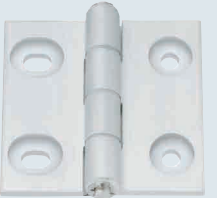
When the hinges are mounted onto an object such as a panel, hinge nuts are recommended as shown on P.3255

Material: 304 Stainless Steel

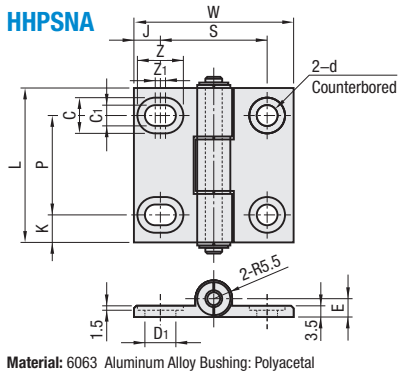
Part Number	Type	No.	*Allowable Load (kg)	Mass (g)	L	W	K	P	J	S	N	Z	T	(E)	(R)	CR	D	
SHPSNA	SHPSNA	5	9	88	34	41	36	8	25	7.5	21	5.5	5.5x6.5	2	4.6	4.6	4	5
		6	12	117	48	48	48	9	30	8	32	6.5	5.5x10	3	6.1	6.1	5	6
		8	25	245	111	59	62	11	37	10	42	6.5	6.5x10	3	6.1	6.1	5	6

* The allowable load is the value when two pieces are used.

Aluminum Hinges - Counterbored - One Side Slotted



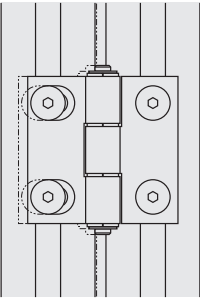
HHPMGS



RoHS 10

Material: 6063 Aluminum Alloy Bushing: Polyacetal Surface Treatment: Clear Anodize

Application Example



Slotted mounting holes make it possible to adjust right and left positions.

When the hinges are mounted onto an object such as a panel, hinge nuts are recommended as shown on P.3255

Part Number	Type	No.	*Allowable Load		Mass (g)	L	W	K	P	J	S	D	D Counterbored	D ₁	C	C ₁	Z	Z ₁	E	Applicable Screws/Nuts for Aluminum Extrusion		
			kg	N																Screw	Nut	Qty
HHPMGS	HHPMGS	5	10	98	22	36	11	25	7.5	21	5.5	10	7	10	5.5	11.5	1.5	5	CBSA5-6	HNNT5-5	4	
		6			32	48	8.5	30	8	32	6.5	11	9.5	11	6.5	14	3	5.5	CBSA6-8	HNNT6-6		
		8			47	63	13	37	10	42	11.5	11	11.5	11	6.5	16	5	5.5	CBSA6-10	HNNT8-6		

* The allowable load is the value when two pieces are used.

Part Number Example

Part Number: HHSZ65, SHPSNA5, HHPMGS8

Part Number Alterations


Part Number: HHPMGS6 - (SET / SST)

Alteration	Code	Spec.	Hinge	No.
Applicable Screw & Nut Set	SET SST (Stainless Steel)	Applicable screws and nuts come in a set. When SST is specified, screws and nuts will be in stainless steel. () When -SET is specified, the material of the Flathead Screws is 4137 Alloy Steel and their surface treatment is Black Oxide.	SHPSNA	5
			SHPSNA	6
			SHPSNA	8
			HHPMGS	5
			HHPMGS	6
			HHPMGS	8

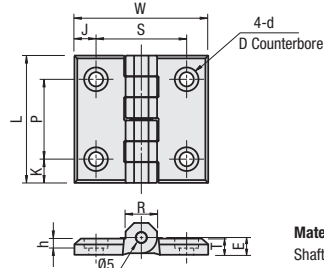
Hinges

Plastic / Compact Plastic / Low Particulate Generation

Plastic Hinges



HHPSJ



RoHS 10


When the hinges are mounted onto an object such as a panel, hinge nuts are recommended as shown on P.3255

Material: Hinge Plates: Nylon 6, Shaft: 304 Stainless Steel

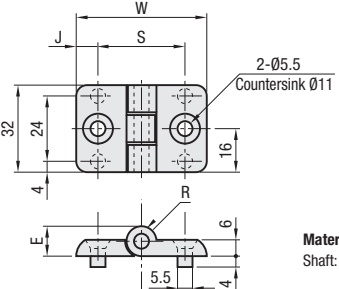
Part Number	Type	No.	Color	* Allowable Load		Mass (g)	L	W	K	P	J	S	D	D	T	E	R	h	Screws / Nuts					
				kg	N														Screws	Quantity	Nuts	Quantity		
HHPSJ	HHPSJ	6	B Black	10	96	21	48	47	9	30	8	32	9.5	5.5	6	6.5	12.6	3.8	4	CBS5-8	HNNT6-5	4		
		8	W White	15	147	35	59	62	11	37	10	42	11	6.6	7.5	8	14.5	4.4					CBS6-12	HNNT8-6
		845		44	70	80	13.5	43	16.5	47														CBS6-12

* The allowable load is the value when two pieces are used. The default color will be black unless specified.

Compact Plastic Hinges



HHPSJC



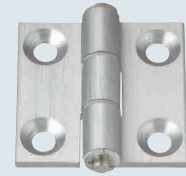
RoHS 10

Material: Hinge Plates: Nylon 6, Shaft: 304 Stainless Steel

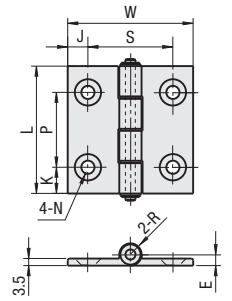
Part Number	Type	No.	* Allowable Load (kg)	Mass (g)	W	J	S	E	R	
HHPSJC	HHPSJC	5	10	98	12.5	36	7.5	21	10	5
		6	10	98	15.8	48	8	32	11	5.5
		8	10	98	26.2	62	10	42	11	5.5

* The allowable load is the value when two pieces are used.

Low Particulate Generation Hinges

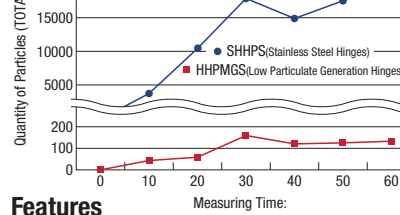


HHPMGS



RoHS 10

Material: 6063-T5 Aluminum Alloy Bushing: Oil Soaked Polyacetal Surface Treatment: Electroless Nickel Plating



Features

Excels in friction resistance and sliding. Has less dust compared with conventional hinges since the sliding section is made from the special material (oil embedded Polyacetal). The aluminum part is electroless nickel plated instead of conventional clear anodizing. As a result, it prevents static charge buildup, resulting in less dust collection.

When the hinges are mounted onto an object such as a panel, hinge nuts are recommended as shown on P.3255

Part Number	Type	No.	* Allowable Load		Mass (g)	L	W	K	P	J	S	N		E	R	Applicable Screws/Nuts for Aluminum Extrusion			
			kg	N								Through	Countersunk			Screws	Quantity	Nuts	Quantity
HHPMGS	HHPMGS	5	10	98	22	47	36	11	25	7.5	21	5.5	11	5	5	SHFBS5-8	4	HNNTS5-5	4
		6			33	48	8.5	30	8	32	6.5	13	5.5	5.5	SHFBS6-10	HNNTS6-6			
		8			48	63	13	37	10	42					SHFBS6-12	HNNTS8-6			

* The allowable load is the value when two pieces are used.

Part Number Example

Part Number: HHPSJ6, HHPSJC8, HHPMGS5

Part Number Alterations

Part Number: HHPMGS6 - (SET / SST)

Alteration	Code	Spec.	Hinge	No.
Applicable Screw & Nut Set	SET SST (Stainless Steel)	Applicable screws and nuts come in a set. When SST is specified, screws and nuts will be in stainless steel. () When -SET is specified, the material of the Flathead Screws is 4137 Alloy Steel and their surface treatment is Black Oxide.	HHPSDT	5
			HHPSDT	6
			HHPSDT	8
			HHPMGS	5
			HHPMGS	6
			HHPMGS	8