


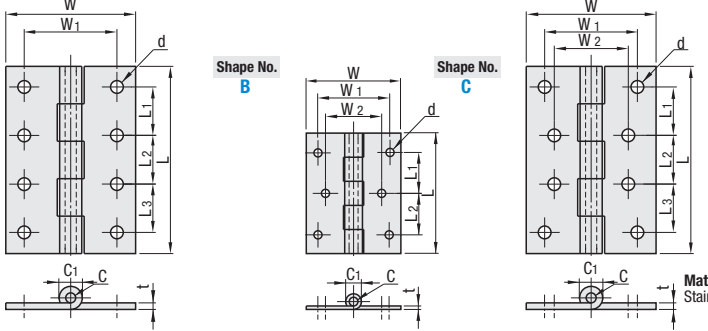
Hinges & Hinge Nuts

Hinges



HHS

Shape No. **A** Shape No. **B** Shape No. **C**




Material: 304 Stainless Steel

| Part Number Type | L | Shape No. | W | W ₁ | W ₂ | L ₁ | L ₂ | L ₃ | C | C ₁ | t | D | Division | *Allowable Load (N) | Weight (g) | |
|------------------|-----|-----------|----|----------------|----------------|----------------|----------------|----------------|------|----------------|-----|-----|----------|---------------------|------------|----|
| HHS | 25 | A | 20 | 12 | — | 16 | — | — | 2 | 3.8 | 0.8 | 3.4 | 3 | 9.8 | 6 | |
| | 30 | | | | | 22 | | | | | | | | 7 | | |
| | 40 | | | | | 28 | | | | | | | | 12 | | |
| | 50 | | | | | 36 | | | | | | | | 16 | | |
| | 65A | | | | | 30 | | | | | | | | 23 | 16 | |
| | 65 | B | 50 | 30 | 30 | 23 | — | — | 4 | 8.5 | 2 | 4.5 | 5 | 127.4 | 25 | |
| | 75A | | | | | 30 | | | | | | | | 27 | 27 | |
| | 75 | | | | | 36 | | | | | | | | 30 | 26 | 26 |
| | 90A | | | | | 38 | | | | | | | | 35 | 35 | 35 |
| | 90 | | | | | 46 | | | | | | | | 36 | 34 | 34 |
| 100A | C | 60 | 38 | — | 26 | — | — | 6 | 12.7 | 3 | 6.6 | 5 | 294 | 100 | | |
| 100 | | | | | 46 | | | | | | | | 36 | 26 | 26 | |

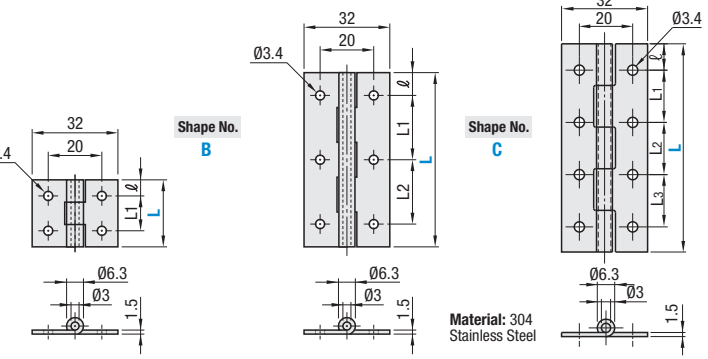
*The allowable load is the value when two pieces are used. Max. Opening Angle is 270°.

Hinges



HHKS

Shape No. **A** Shape No. **B** Shape No. **C**




Material: 304 Stainless Steel

| Part Number Type | L | Shape No. | ℓ | L ₁ | L ₂ | L ₃ | Division | *Allowable Load (N) | Weight (g) |
|------------------|-----|-----------|-----|----------------|----------------|----------------|----------|---------------------|------------|
| HHKS | 25 | A | 6 | 13 | — | — | 3 | 29.4 | 13 |
| | 30 | | 7 | 16 | — | — | | 39.2 | 16 |
| | 40 | | 8 | 24 | — | — | | 58.8 | 21 |
| | 50 | | 10 | 30 | — | — | | 68.6 | 26 |
| | 65 | | 8.5 | 24 | 24 | — | | 98.0 | 34 |
| | 75 | B | 9.5 | 28 | 28 | — | 107.8 | 39 | |
| | 90 | | 10 | 35 | — | — | 127.4 | 47 | |
| | 100 | | C | 11 | 26 | 26 | 26 | 147.0 | 52 |

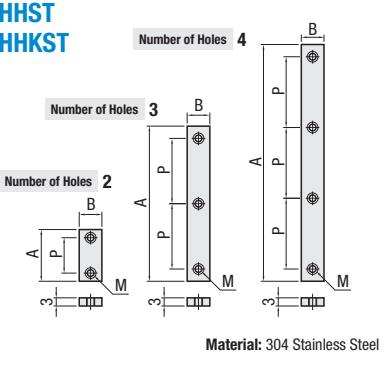
*The allowable load is the value when two pieces are used. Max. Opening Angle is 270°.

Hinge Nuts



HHST
HHKST

Number of Holes: 4, 3, 2



Material: 304 Stainless Steel

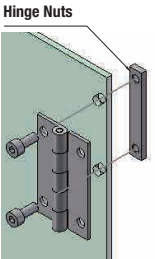
| Part Number Type | No. of Holes | B | A | P | M | Applicable Hinges | |
|------------------|--------------|----|----|----|----|-------------------|---------|
| HHST | 25 | 6 | 22 | 16 | 3 | HHS25 | |
| | 30 | 6 | 28 | 22 | 3 | HHS30 | |
| | 40 | 7 | 36 | 28 | 3 | HHS40 | |
| | 50 | 7 | 45 | 36 | 4 | HHS50 | |
| | 65 | 9 | 55 | 23 | 4 | HHS65A | |
| | 75 | 11 | 65 | 27 | 5 | HHS75A | |
| HHKST | 25 | 6 | 19 | 13 | 3 | HHKS25 | |
| | 30 | 6 | 22 | 16 | 3 | HHKS30 | |
| | 40 | 6 | 32 | 24 | 3 | HHKS40 | |
| | 50 | 6 | 39 | 30 | 3 | HHKS50 | |
| | 65 | 6 | 57 | 24 | 3 | HHKS65 | |
| | 75 | 6 | 65 | 28 | 3 | HHKS75 | |
| | 90 | 6 | 79 | 35 | 3 | HHKS90 | |
| | 100 | 4 | 6 | 87 | 26 | 3 | HHKS100 |

Part Number Example

Part Number

HHST100
HHKST100
HHST30
HHKST75

Application Example




Hinge Nuts

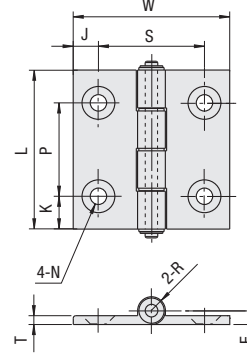
Aluminum Hinges / Hinge Nuts

for Unequal Size Frames / with Extra Low Head Cap Screws

Aluminum Hinges for Unequal Size Frames



HHPSN
Clear Anodize
HHPBSN
Black Anodize
HHPSF
For Unequal Size Frames:
Clear Anodize



Material: 6063 Aluminum Alloy-T5 Bushing: Polyacetal Surface Treatment: Anodize

Hinges for Different Shape Frames

HHPSF 6-5: Attaches HFS5-20 mm to HFS6-30 mm

HHPSF 8-6: Attaches HFS6-30 mm to HFS8-40 mm

HHPSF 845-5: Attaches HFS5-30 mm to HFS8-45 mm

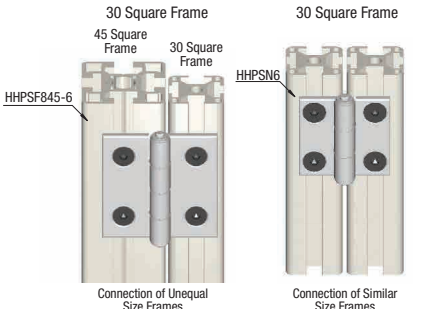
HHPSF 8-5: Attaches HFS5-20 mm to HFS8-40 mm

HHPSF 845-6: Attaches HFS6-30 mm to HFS8-45 mm

Ⓢ When the hinges are mounted onto an object such as a panel, the hinge nuts below are recommended.

Application Example

For a set of screws and nuts for an aluminum frame extrusion, refer to P.2935



30 Square Frame
45 Square Frame
30 Square Frame


HHPSN6

Connection of Unequal Size Frames Connection of Similar Size Frames

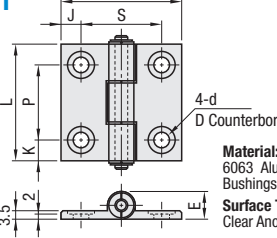
| Part Number Type | No. | *Allowable Load | | Mass g | L | W | K | P | J | S | N | | T | E | R | Applicable Screws/Nuts for Aluminum Extrusion | | | | |
|------------------|-------|-----------------|----|--------|----|-------|-----|----|-------|------|---------|--------------|-----|-----|-----|---|---------------------|------|---------------------|---------|
| | | kg | N | | | | | | | | Through | Counterbored | | | | Screws | Quantity | Nuts | Quantity | |
| HHPSN | 5 | 10 | 98 | 22 | 47 | 36 | 11 | 25 | 7.5 | 21 | 5.5 | 11 | 3.5 | 5.5 | 5.5 | 4 | Flathead Screw 5-8 | 4 | HNTT5-5 | |
| | 6 | | | | | | | | | | | | | | | | Flathead Screw 6-10 | | HNTT6-6 | |
| | 8 | | | | | | | | | | | | | | | | Flathead Screw 6-12 | | HNTT6-8 | |
| | 8-45 | | | | | | | | | | | | | | | | Flathead Screw 6-15 | | HNTT6-8 | |
| HHPSF | 6-5 | 10 | 98 | 33 | 47 | 44.75 | 8.5 | 30 | 10.75 | 26.5 | 6.5 | 13 | 4.5 | 5.5 | 5.5 | 2 | Flathead Screw 5-8 | 2 | HNTT5-5 | |
| | 8-5 | | | | | | | | | | | | | | | | Flathead Screw 6-10 | | HNTT6-6 | |
| | 845-5 | | | | | | | | | | | | | | | | 6.5 | | Flathead Screw 5-8 | HNTT5-5 |
| | | | | | | | | | | | | | | | | | 6.5 | | Flathead Screw 6-10 | HNTT6-6 |
| | 8-6 | | | | | | | | | | | | | | | | 6.5 | | Flathead Screw 5-8 | HNTT5-5 |
| | | | | | | | | | | | | | | | | | 6.5 | | Flathead Screw 6-10 | HNTT6-6 |
| | 845-6 | | | | | | | | | | | | | | | | 6.5 | | Flathead Screw 5-8 | HNTT5-5 |
| | | | | | | | | | | | | | | | | | 6.5 | | Flathead Screw 6-10 | HNTT6-6 |

*The allowable load is the value when two pieces are used. Max. Opening Angle is 270° except HHPSF6-5, 8-5 and 854-5 with 190°.

Aluminum Hinges Extra Low Head Cap Screws



HHPSNT

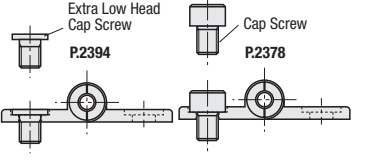


Material: 6063 Aluminum Alloy Bushings: Polyacetal Surface Treatment: Clear Anodize

Application Example

Normal cap bolts are available for installation.

Ⓢ When the hinges are mounted onto an object such as a panel, the hinge nuts below are recommended.




Extra Low Head Cap Screw P.2394 Cap Screw P.2378

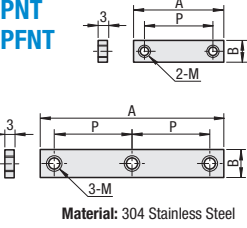
| Part Number Type | No. | *Allowable Load | | Mass g | L | W | K | P | J | S | D Through | D Counterbored | E | App. Screws/Nuts for Aluminum Extrusion | | |
|------------------|-----|-----------------|----|--------|----|----|----|----|-----|----|-----------|----------------|-----|---|-----|---------|
| | | kg | N | | | | | | | | | | | Screws | Qty | Nuts |
| HHPSNT | 5 | 10 | 98 | 22 | 47 | 36 | 11 | 25 | 7.5 | 21 | 5.5 | 10 | 5.5 | CBSA5-6 | 4 | HNTT5-5 |
| | 6 | | | | | | | | | | | | | CBSA6-6 | | HNTT6-6 |
| | 8 | | | | | | | | | | | | | CBSA6-10 | | HNTT8-6 |

*The allowable load is the value when two pieces are used. Max. Opening Angle is 180°.

Hinge Nuts



HHPNT
HHPFNT



Material: 304 Stainless Steel

Part Number Example

Part Number

HHPNS6
HHPNT8
HHPNT5 - 3

| Part Number Type | No. | No. of Holes | B | A | P | M |
|------------------|-----|--------------|----|----|----|---|
| HHPNT | 5 | 2 | 9 | 34 | 25 | 5 |
| | | 3 | 59 | — | — | |
| | | 3 | 10 | 40 | 30 | — |
| | 6 | 2 | 10 | 40 | 30 | — |
| | | 3 | 70 | — | — | — |
| | | 3 | 49 | 37 | 6 | — |
| 845 | 2 | 12 | 86 | — | — | |
| | 3 | 55 | 43 | — | — | |
| | 3 | 98 | — | — | — | |
| HHPFNT | 5 | 2 | 14 | 33 | 20 | 5 |
| | 6 | 2 | 16 | 38 | 25 | — |
| | 8 | 2 | 18 | 48 | 30 | 6 |

Applicable Hinge Nuts for Hinges on Panel

| Hinges | No. | No. of Holes | Applicable Hinge Nuts |
|---------|------|--------------|-----------------------|
| HHPSN | 5 | 2 | HHPNT5-2 |
| HHPSJ | 6 | | HHPNT6-2 |
| HHPSD | 8 | | HHPNT8-2 |
| HHPSNH | 8 | 2 | HHPNT845-2 |
| HHPSNA | 8-45 | | |
| HHPMGS | 8-45 | | |
| SHPSNA | 8-45 | | |
| HHPNL | 8-45 | | |
| HHPSD | 8-45 | | |
| HHPSF | 8-6 | 2 | HHPNT8-2 |
| 845-6 | | | |
| 845-6 | | | |
| SHHPS | 5 | 3 | HHPNT5-3 |
| | 6 | | HHPNT6-3 |
| | 8 | | HHPNT8-3 |
| | 845 | | HHPNT845-3 |
| HHPFLN | 5 | 2 | HHPFNT5-2 |
| HHPFDLN | 6 | | HHPFNT6-2 |
| HHPFRN | 8 | | HHPFNT8-2 |
| HHPFDN | 8-45 | | |

Ⓢ Not applicable to HHPSJ6, SHPSNA6 and SHHPSZ6.