


Shim Rings

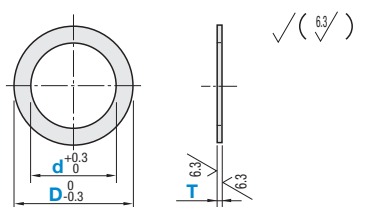
Standard

Shim Rings – Standard
(Sold Individually)



RoHS 10

Standard	Material	Hardness	Tolerances by Thickness								
			0.01	0.02	0.03	0.05	0.1	0.2	0.3	0.5	1.0
CIMRS	304H Stainless Steel	370~430 HV min.	±0.003	—	—	±0.005	±0.02	±0.03	±0.035	±0.04	±0.05
CIMRB	C28000 Brass	—	—	—	—	±0.005	±0.02	±0.03	±0.04	±0.05	±0.08
CIMR	Low Carbon Steel Equivalent	—	—	—	—	—	—	±0.03	±0.04	±0.06	±0.11



304H Stainless Steel

Part Number	D	T
2	3	0.01 0.02 0.03 0.05 0.1 0.2 0.3 0.5 1.0
3	4	
4	5	
5	6	
6	7	
8	8	
10	10	
12	12	
15	15	
16	18	
17	20	
20	24	
22	28	
25	32	
28	35	
30	40	
35	45	
40	50	
45	55	

Brass, Low Carbon Steel


Part Number	D	T
2	4	(0.05) For CIMRB only 0.1 0.2 0.3 0.5 1.0
3	5	
4	6	
5	7	
6	8	
8	10	
10	12	
12	16	
15	18	
16	20	
17	24	
20	28	
22	32	
25	35	
28	40	
30	45	
35	50	
40	55	
45	55	

Part Number Example: CIMRS5 - 12 - 0.1

Shim Rings Package

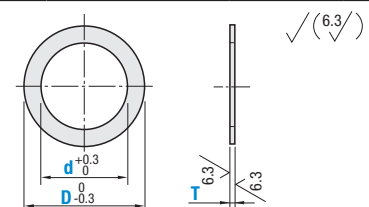
Standard Type

Shim Rings Package – Standard
(30/pcs.)



RoHS 10

Standard	Configurable	Material	Hardness	Tolerances by Thickness												
				0.01	0.02	0.03	0.05	0.1	0.2	0.3	0.5	0.8	1.0			
PCIMRS	CIMRSF	304H Stainless Steel	370~430 HV min.	±0.003	±0.005	±0.02	±0.03	±0.035	±0.04	±0.05	—	—	—	—	—	—
PCIMRB	CIMRBF	C28000 Brass	—	—	—	±0.005	±0.02	±0.03	±0.04	±0.05	—	—	—	—	—	±0.08
PCIMR	CIMRF	Low Carbon Steel Equivalent	—	—	—	—	—	±0.03	±0.04	±0.06	—	—	—	—	—	±0.11



304H Stainless Steel

Part Number	D Selection	T
2	3	0.01 0.05 0.1 0.15 0.2 0.3 0.5 1.0
3	4	
4	5	
5	6	
6	7	
8	8	
10	10	
12	12	
15	15	
16	18	
17	20	
20	24	
22	28	
25	32	
30	35	
35	40	
40	45	
45	55	

Brass, Low Carbon Steel

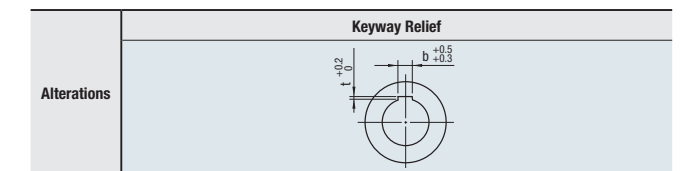
Part Number	D Selection	T
3	5	(0.05) For PCIMRB Only 0.1 0.2 0.3 0.5 1.0
4	6	
5	8	
6	10	
8	12	
10	14	
12	16	
16	18	
20	20	
22	22	

Part Number Example: PCIMRS - 12 - 0.1
Part Number Alterations: CIMRF - D73 - V43 - T1.0

Part Number Alterations: CIMRSF - D22 - V18 - T0.1 - KC

Configurable

Part Number	D 0.5 mm Increment	V Select V0, 2.0, 2.6, or V3.0-248.0 in 0.5 mm increments	T
CIMRSF CIMRBF CIMRF	4.0-250	0 (No Hole) 2.0 2.3 3.0-248.0 T≤0.2 → V≤D-2 0.3≤T → V≤D-3 (V2.6 → D≥5)	(0.05) For CIMRBF and CIMRSF Only (0.08) For CIMRSF Only 0.1 0.2 0.3 0.5 1.0



Code	KC																																				
Spec.	<table border="1"> <thead> <tr> <th>V</th> <th>b</th> <th>t</th> <th>D-V</th> </tr> </thead> <tbody> <tr><td>8-10.5</td><td>3</td><td>2.0</td><td>7 or More</td></tr> <tr><td>11-12.5</td><td>4</td><td>2.5</td><td>8 or More</td></tr> <tr><td>13-17.5</td><td>5</td><td>3.0</td><td>10 or More</td></tr> <tr><td>18-22.5</td><td>6</td><td>3.5</td><td>12 or More</td></tr> <tr><td>23-30.5</td><td>8</td><td>4.0</td><td>14 or More</td></tr> <tr><td>31-38.5</td><td>10</td><td>4.0</td><td>14 or More</td></tr> <tr><td>39-42.5</td><td>12</td><td>4.0</td><td>14 or More</td></tr> <tr><td>43-49.5</td><td>14</td><td>4.5</td><td>16 or More</td></tr> </tbody> </table>	V	b	t	D-V	8-10.5	3	2.0	7 or More	11-12.5	4	2.5	8 or More	13-17.5	5	3.0	10 or More	18-22.5	6	3.5	12 or More	23-30.5	8	4.0	14 or More	31-38.5	10	4.0	14 or More	39-42.5	12	4.0	14 or More	43-49.5	14	4.5	16 or More
V	b	t	D-V																																		
8-10.5	3	2.0	7 or More																																		
11-12.5	4	2.5	8 or More																																		
13-17.5	5	3.0	10 or More																																		
18-22.5	6	3.5	12 or More																																		
23-30.5	8	4.0	14 or More																																		
31-38.5	10	4.0	14 or More																																		
39-42.5	12	4.0	14 or More																																		
43-49.5	14	4.5	16 or More																																		