


Conveyor Sensor Brackets

For Photoelectric Sensors

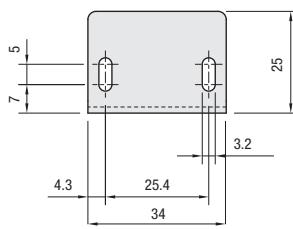
Features: Conveyor Sensor Brackets with the sensor height, width, and angle adjustable.

Conveyor Sensor Brackets – For Photoelectric Sensors

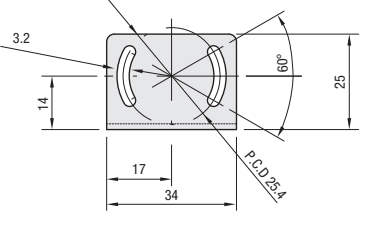


RoHS10

BFCB Straight Slotted Hole Type



BFCBN Arched Slotted Hole Type



Material: Stainless Steel

Type	Part Number		N
	L	No.	
Straight Slotted Hole Type BFCB	30	3	3.2
		5	5.2
		6	6.2
	40	3	3.2
		5	5.2
		6	6.2
Arched Slotted Hole Type BFCBN	30	3	3.2
		5	5.2
		6	6.2
	40	3	3.2
		5	5.2
		6	6.2

Sensor Compatibility Table

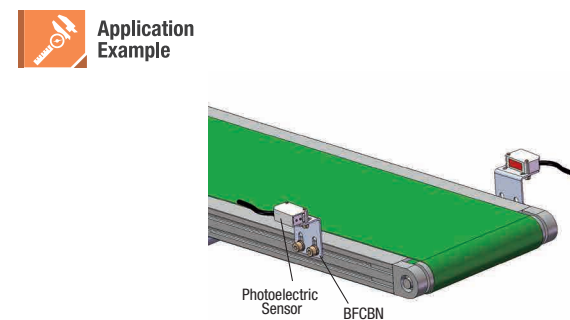
Manufacturer	Part Number
MISUMI	MZL-D, MZL-R, MZL-T, MZ-WD, MZ-LD, MZ-D
Keyence	PZ-G, PZ2, PZ-V/M Series
SUN	CX-L400, LS-H Series
OMRON	E3Z, E3ZM Series

Application Example

Part Number

Type L - No.


BFCB 40 - 5

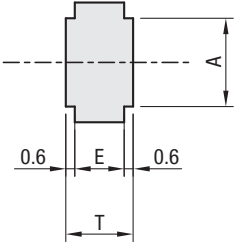


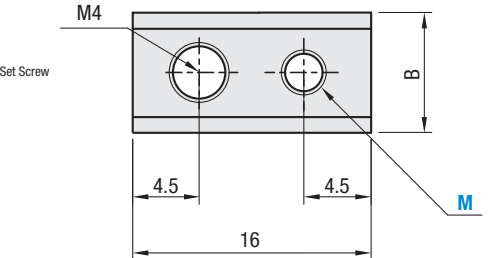
Post-Assembly Insertion Nuts

Features: Post-assembly insertion nuts with set screws. Useful for mounting items such as a sensor if you need to install them later.

Post-Assembly Insertion Nuts for Conveyor







M	Reference Tightening Torque (N•m)
3	0.9
4	2.2
5	4.6

ⓘ Use pre-assembly insertion nuts to mount heavy objects such as a stand.
 ⓘ Nuts dedicated for the aluminum extrusion of MISUMI conveyors. Use them for the aluminum extrusion slots (for M5 or M6). See the Conveyor Main Unit pages and select an appropriate item.

Material: 316 Stainless Steel, Sintered

Part Number	Accessories (1 pc.)	A	B	E	T	Qty. per Pkg.
For Aluminum Extrusion Slot M5 PACK-CHNT5	3	4.9	7	2.8	4	10 pcs.
	4					
For Aluminum Extrusion Slot M6 PACK-CHNT6	3	5.9	8	3.3	4.5	
	4					
	5					

Application Example

Part Number

Type - M

PACK-CHNT6 - 5

