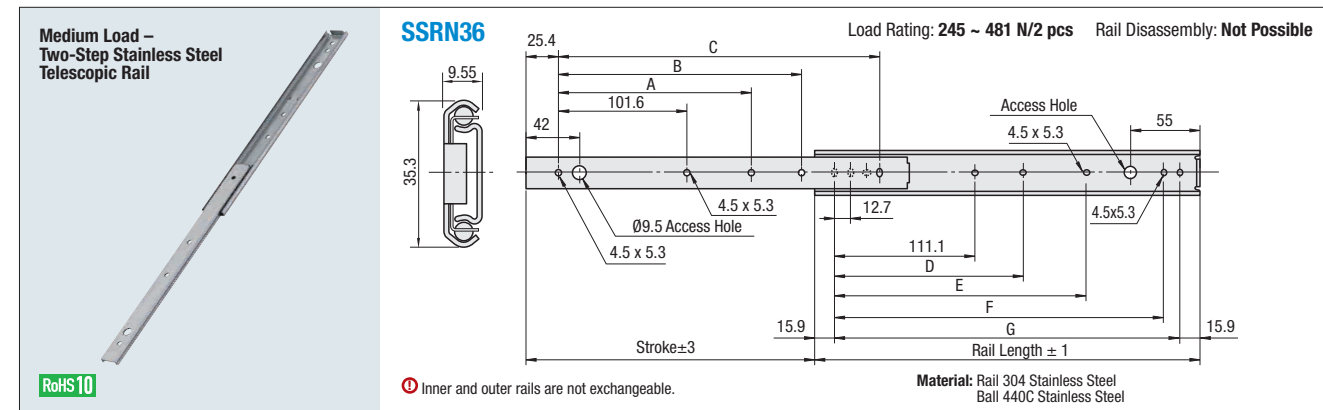


# Medium Load Slide Rails (Load Rating: 245N–588N/2 pcs)

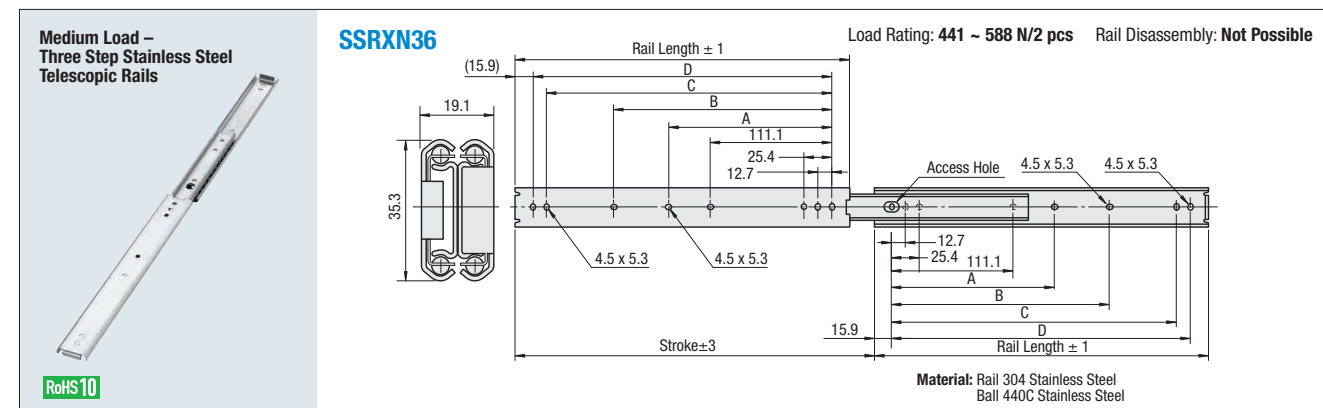
Two-Step / Three Step Stainless Steel Telescopic Rails



Part Number Type	No.	Rail Length	Stroke	A	B	C	D	E	F	G	Load Rating (N/2 Pcs)
	12	304.8	228.6	—	152.4	254	—	149.2	260.3	273	481
	14	355.6	279.4	—	203.2	304.8	—	200	311.1	323.8	461
	16	406.4	304.8	—	254	355.6	—	250.8	361.9	374.6	422
	18	457.2	330.2	203.2	304.8	406.4	212.7	301.6	412.7	425.4	402
	20	508.0	381	228.6	355.6	457.2	238.1	352.4	463.5	476.2	363
	22	558.8	406.4	254	406.4	508	263.5	403.2	514.3	527	333
	24	609.6	431.8	279.4	457.2	558.8	288.9	454	565.1	577.8	294
	26	660.4	482.6	304.8	508	609.6	314.3	504.8	615.9	628.6	265
	28	711.2	508	330.2	558	660.4	339.7	555.6	666.7	679.4	245

ⓘ The rails can not be pulled apart. ⓘ Use M4 Recessed Truss Machine Screws (P2422) or Recessed Binding Head Screws (P2423) to mount rails.

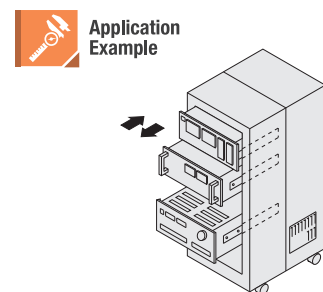
Part Number Example: SSRN3628



Part Number Type	No.	Rail Length	Stroke	A	B	C	D	Load Rating (N/2 Pcs)
	12	304.8	327.2	—	149.2	260.3	273	588
	14	355.6	378	—	200	311.1	323.8	578
	16	406.4	428.4	—	250.8	361.9	374.6	559
	18	457.2	479.2	212.7	301.6	412.7	425.4	549
	20	508.0	530	238.1	352.4	463.5	476.2	529
	22	558.8	580.8	263.5	403.2	514.3	527	500
	24	609.6	631.6	288.9	454	565.1	577.8	480
	26	660.4	682.4	314.3	504.8	615.9	628.6	461
	28	711.2	733.2	339.7	555.6	666.7	679.4	441

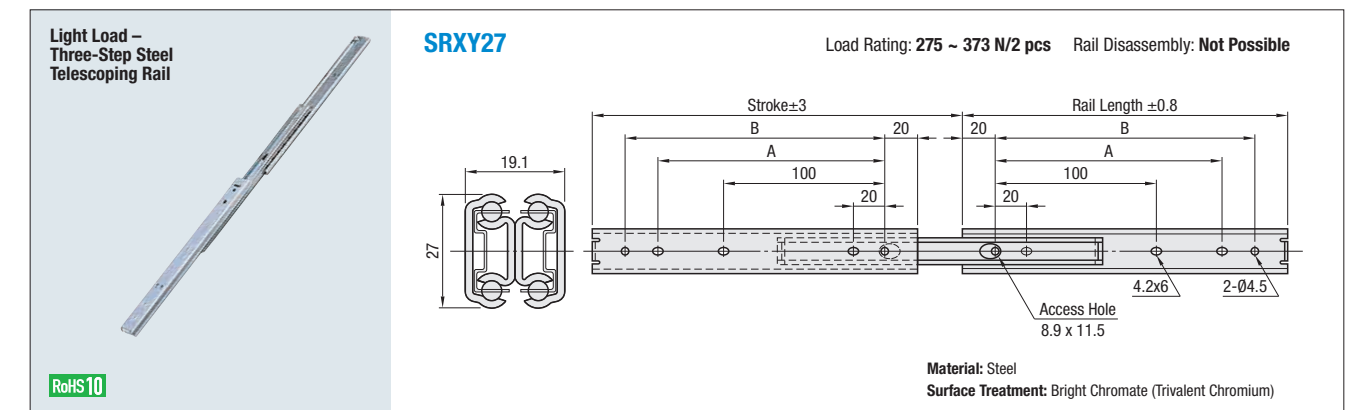
ⓘ Three-stage drawers can be pulled out to the end. The rails can not be pulled apart. ⓘ Use M4 Recessed Truss Machine Screws (P2422) or Recessed Binding Head Screws (P2423) to mount rails.

Part Number Example: SSRXN3620



# Light / Medium Load Slide Rails (Load Rating: 275N–461N/2 pcs)

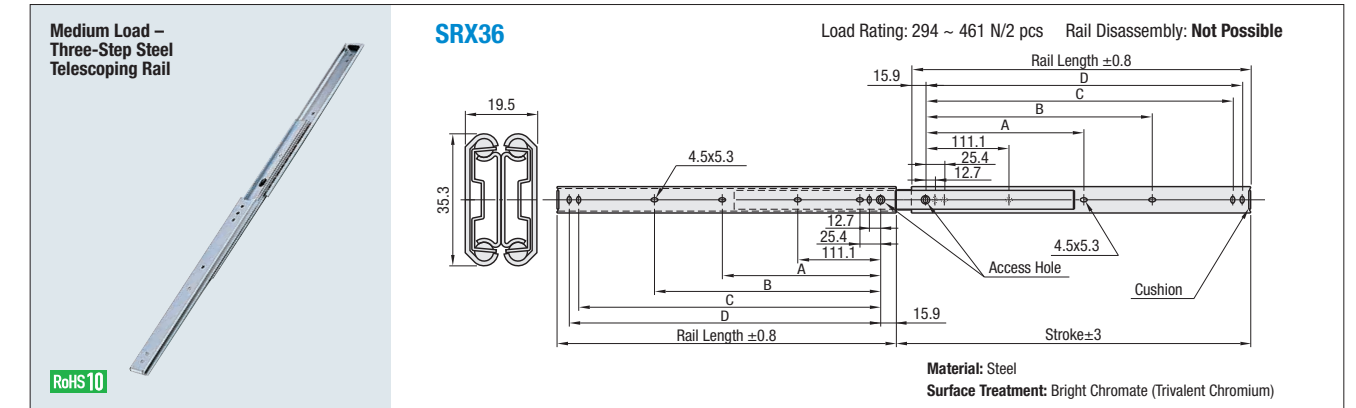
Three Step Stainless Steel Telescopic Rails



Part Number Type	No.	Rail Length	Stroke	A	B	Load Rating (N/2 Pcs)
	20	200	228.8	140	160	370
	25	250	276.2	190	210	360
	30	300	327.2	240	260	350
	35	350	376.4	290	310	330
	40	400	425.6	340	360	310
	45	450	474.8	390	410	290
	50	500	524.0	440	460	280

ⓘ The rails are Three-step Type, and can not be pulled apart. ⓘ Use M4 Recessed Truss Machine Screws (P2422) or Recessed Binding Head Screws (P2423) to mount rails.

Part Number Example: SRXY2735



Part Number Type	No.	Rail Length	Stroke	A	B	C	D	Load Rating (N/2 Pcs)
	12	305	324.2	—	149.2	260.3	273	500
	14	356	375.4	—	200	311.1	323.8	529
	16	406	424.6	—	250.8	361.9	374.6	500
	18	457	475.8	212.7	301.6	412.7	425.4	461
	20	508	527	238.1	352.4	463.5	476.2	451
	22	559	578.2	263.5	403.2	514.3	527	402
	24	610	629.4	288.9	454	565.1	577.8	353
	26	660	678.6	314.3	504.8	615.9	628.6	333
	28	711	729.8	339.7	555.6	666.7	679.4	294

ⓘ Three-step rail can be pulled out to the end. The rails can not be pulled apart. ⓘ Use M4 Recessed Truss Machine Screws (P2422) or Recessed Binding Head Screws (P2423) to mount rails.

Part Number Example: SRX3624

