

Single Axis Actuator LX26

Motor Adapter Plates / Motor Adapter Centering Tools



Linear Actuators

Note: *Marked area indicates where the Motor Adapter protrudes beyond the Rail. Special attention must be given.

<p>A2625 Servo 25 Sq.</p>	<p>A2628 Servo 28 Sq.</p>																																																																				
<p>A2638 Servo 38 Sq.</p>	<p>A2640 Servo 40 Sq.</p>																																																																				
<p>E2640 Servo 40 Sq.</p>	<p>T2628 Stepping 28 Sq.</p>																																																																				
<p>T2642 Stepper 42 Sq.</p>	<p>T2656.4 Stepping 56.4 Sq. NEMA 23</p>																																																																				
<p>F No Motor Bracket Type</p>	<p>Servo Motor Application Table</p> <table border="1"> <thead> <tr> <th>Part Number</th> <th>Flange Size</th> <th>Manufacturer</th> <th>Product Number</th> <th>Wattage</th> <th>Recommended Coupling</th> </tr> </thead> <tbody> <tr> <td rowspan="3">A2625</td> <td rowspan="3">25 Sq.</td> <td rowspan="3">Yasukawa Electric Corporation</td> <td>SGMMJ-A1</td> <td>10W</td> <td rowspan="10">SCXW21 (P.1094) SCPW21 (P.1094) CPDW19 (P.1096)</td> </tr> <tr> <td>SGMMJ-A2</td> <td>20W</td> </tr> <tr> <td>SGMMJ-A3</td> <td>30W</td> </tr> <tr> <td rowspan="3">A2628</td> <td rowspan="3">28 Sq.</td> <td rowspan="3">Mitsubishi Electric Corporation</td> <td>HG-AK0136</td> <td>10W</td> </tr> <tr> <td>HG-AK0236</td> <td>20W</td> </tr> <tr> <td>HG-AK0336</td> <td>30W</td> </tr> <tr> <td rowspan="5">A2638</td> <td rowspan="5">38 Sq.</td> <td rowspan="5">Panasonic</td> <td>MSMD5A</td> <td>50W</td> </tr> <tr> <td>MSME5A</td> <td>50W</td> </tr> <tr> <td>MSMD01*</td> <td>100W</td> </tr> <tr> <td>MSME01*</td> <td>100W</td> </tr> <tr> <td>MSME01*</td> <td>100W</td> </tr> <tr> <td rowspan="8">A2640</td> <td rowspan="8">40 Sq.</td> <td rowspan="4">Yasukawa Electric Corporation</td> <td>SGMJV-A5</td> <td rowspan="8">50W</td> </tr> <tr> <td>SGMAH-A5</td> </tr> <tr> <td>SGMAS-A5</td> </tr> <tr> <td>HG-MR053</td> </tr> <tr> <td rowspan="2">Mitsubishi Electric Corporation</td> <td>HF-KP053</td> </tr> <tr> <td>HF-KP053</td> </tr> <tr> <td rowspan="2">Sanyo Denki Co., Ltd.</td> <td>Q1AA04003D</td> <td>30W</td> </tr> <tr> <td>Q1AA04005D</td> <td>30W</td> </tr> <tr> <td rowspan="2">Omron Corporation</td> <td>R88M-K05030</td> <td rowspan="2">50W</td> </tr> <tr> <td>R88M-K05030</td> </tr> <tr> <td rowspan="2">Keyence Corporation</td> <td>MV-M05</td> <td rowspan="2">50W</td> </tr> <tr> <td>SV-M005</td> </tr> <tr> <td rowspan="2">E2640</td> <td rowspan="2">40 Sq.</td> <td rowspan="2">SIEMENS</td> <td>1FK7011-5</td> <td rowspan="2">100W</td> </tr> <tr> <td>1FK7015-5</td> </tr> </tbody> </table>	Part Number	Flange Size	Manufacturer	Product Number	Wattage	Recommended Coupling	A2625	25 Sq.	Yasukawa Electric Corporation	SGMMJ-A1	10W	SCXW21 (P.1094) SCPW21 (P.1094) CPDW19 (P.1096)	SGMMJ-A2	20W	SGMMJ-A3	30W	A2628	28 Sq.	Mitsubishi Electric Corporation	HG-AK0136	10W	HG-AK0236	20W	HG-AK0336	30W	A2638	38 Sq.	Panasonic	MSMD5A	50W	MSME5A	50W	MSMD01*	100W	MSME01*	100W	MSME01*	100W	A2640	40 Sq.	Yasukawa Electric Corporation	SGMJV-A5	50W	SGMAH-A5	SGMAS-A5	HG-MR053	Mitsubishi Electric Corporation	HF-KP053	HF-KP053	Sanyo Denki Co., Ltd.	Q1AA04003D	30W	Q1AA04005D	30W	Omron Corporation	R88M-K05030	50W	R88M-K05030	Keyence Corporation	MV-M05	50W	SV-M005	E2640	40 Sq.	SIEMENS	1FK7011-5	100W	1FK7015-5
Part Number	Flange Size	Manufacturer	Product Number	Wattage	Recommended Coupling																																																																
A2625	25 Sq.	Yasukawa Electric Corporation	SGMMJ-A1	10W	SCXW21 (P.1094) SCPW21 (P.1094) CPDW19 (P.1096)																																																																
			SGMMJ-A2	20W																																																																	
			SGMMJ-A3	30W																																																																	
A2628	28 Sq.	Mitsubishi Electric Corporation	HG-AK0136	10W																																																																	
			HG-AK0236	20W																																																																	
			HG-AK0336	30W																																																																	
A2638	38 Sq.	Panasonic	MSMD5A	50W																																																																	
			MSME5A	50W																																																																	
			MSMD01*	100W																																																																	
			MSME01*	100W																																																																	
			MSME01*	100W																																																																	
A2640	40 Sq.	Yasukawa Electric Corporation	SGMJV-A5	50W																																																																	
			SGMAH-A5																																																																		
			SGMAS-A5																																																																		
			HG-MR053																																																																		
		Mitsubishi Electric Corporation	HF-KP053																																																																		
			HF-KP053																																																																		
		Sanyo Denki Co., Ltd.	Q1AA04003D		30W																																																																
			Q1AA04005D		30W																																																																
Omron Corporation	R88M-K05030	50W																																																																			
	R88M-K05030																																																																				
Keyence Corporation	MV-M05	50W																																																																			
	SV-M005																																																																				
E2640	40 Sq.	SIEMENS	1FK7011-5	100W																																																																	
			1FK7015-5																																																																		

Stepping Motor Application Table

Part Number	Flange Size	Manufacturer	Motor Part Number	Type	Recommended Coupling
T2628	28 Sq.	Oriental Motor	CSK22	2-Phase	SCXW21 (P.1094) SCPW21 (P.1094) CPDW19 (P.1096)
			CW1-8 Tool Steel ²	5-Phase	
			ASC3*	α Step	
T2642	42 Sq.	Oriental Motor	AR2 (ARM)	α Step	
			PK24*	2-Phase	
			CSK24	2-Phase	
T2656.4	5.64 Sq.	NEMA Standards	RK54	5-Phase	
			RKS54* / PK54*	α Step	
T2656.4	5.64 Sq.	NEMA Standards	NEMA23	—	CPDW19 (P.1096)

Ⓞ NEMA Standards is a set of standards stipulated by National Electrical Manufacturers Association of United States.

- Ⓞ Shaft insertion depth on coupling will be 0.5mm shorter on each side when used with Siemens motor.
- Ⓞ Product numbers and specifications of motors are subject to change. Please check the manufacturer's information.
- Ⓞ Applicable motors and couplings are not limited to the above listed products. Please confirm each mounting dimension.

Motor Adapter Centering Tools

JIGLX26

Material: 5056 Aluminum Alloy
Surface Treatment: White Anodize

Application Example

Please use for centering of Motor Adapter Plates.

Motor Mounting Example

Secure included Motor Adapter to the Motor

- Ⓞ Motor, coupling and motor mounting screws are not included.

Part Number	D	Corresponding Attachments	d	D ₁	d ₁	L	T	ℓ
JIGLX26	20	A2628	8	15	5	47.5	17	12
	30	A2638/A2640	8	15	5	49.5	13	11

Part Number Example

Part Number - D
JIGLX26 - 20

Single Axis Actuator LX26

Sensor Sets



Linear Actuators

Proximity Sensor Type (SUNX) Set Part Specification

LX Part Numbers	Code	Sensor Type/Qty.		Sensor Rail		Sensor (*Qty per Sensor Included)		Sensor Flag	
		GX-F8A (ON When Near)	GX-F8B (ON When Away)	Rail (1 Pc.)	Mounting Screw (Pitch +1 Pc.)	Sensor Mounting Screws (1 Pc.)	Mounting Nut (1 pc.)	Sensor Flag (1 Pc.)	Sensor Flag Mounting Screw
LX26__	XA_	_pc(s)	—	SENAT3_H	SCB3-6	CBSST3-10	LBNR3	Dedicated	Flat Head Machine Screw M2.6-4 (1 pc.)
	XB_	—	_pc(s)						SCB3-6 (2 pcs.)
LX26__C	FA_	_pc(s)	—						Flat Head Machine Screw M2.6-4 (1 pc.)
	FB_	—	_pc(s)						
LX26__	XW1	1 pc.	1 pc.						Flat Head Machine Screw M2.6-4 (1 pc.)
	XW2	2 pcs.	1 pc.						
	XW3	2 pcs.	1 pc.						
LX26__C	FW1	1 pc.	1 pc.	SCB3-6 (2 pcs.)					
	FW2	1 pc.	2 pcs.						
	FW3	2 pcs.	1 pc.						

Photo Sensor Type (SUNX) Set Part Specification

LX Part Number	Code	Photo Sensor	Sensor Rail		Sensor (* Qty Per Sensor Included)				Sensor Flag	
			Rail (1 Pc.)	Mounting Screw (Pitch +1 Pc.)	Sensor Bracket	Bracket Mounting Screw Nut	Sensor Mounting Screw	Sensor Mounting Washer	Sensor Flag (1 pc.)	Sensor Flag Mounting Screws
LX26__	SP_	PM-L25	SENAT3_H	SCB3-6	Dedicated	SCB3-5 (2 pcs.) LBNR3 (2 pcs.)	SCB3-6 (2 pcs.)	M2 Small Flat Washer (2 pcs.)	Dedicated	Flat Head Machine Screw M2.6-4 (1 pc.)
LX26__C	MP_									SCB3-5 (2 pcs.)

The Photo Sensor PM-L24 is to be discontinued and replaced by the next-generation product PM-L25 in April 2017.

Photo Sensor Type (Omron) Set Part Specification

LX Part Numbers	Code	Photo Sensor	Sensor Rail		Sensor (* Qty Per Sensor Included)				Sensor Flag	
			Rail (1 Pc.)	Mounting Screw (Pitch +1 Pc.)	Sensor Bracket	Bracket Mounting Screw Nut	Sensor Mounting Screw	Sensor Mounting Washer	Sensor Flag (1 pc.)	Sensor Flag Mounting Screw
LX26__	OP_	EE-SX951-R 1M	SENAT3_H	SCB3-6	Dedicated	SCB3-5 (2 pcs.) LBNR3 (2 pcs.)	SCB3-6 (2 pcs.)	Small Flat Washer (2 pcs.)	Dedicated	Flat Head Machine Screw M2.6-4 (1 pc.)
LX26__C	EP_									SCB3-6 (2 pcs.)

* Sensors are not sold separately. EE-SX911-R1M is scheduled to change to EE-SX951-R1M from April 2015.

Part Number Alterations

Part Number - Block Qty. - Motor Adapter Plates - Base Overall Length (L) - (Code)

LX2602 - B1 - A2628 - 400 - SP2
LX2605C - B1 - A2638 - 200 - MP2

Proximity Sensor Type Installation Drawings (SUNX Limited)

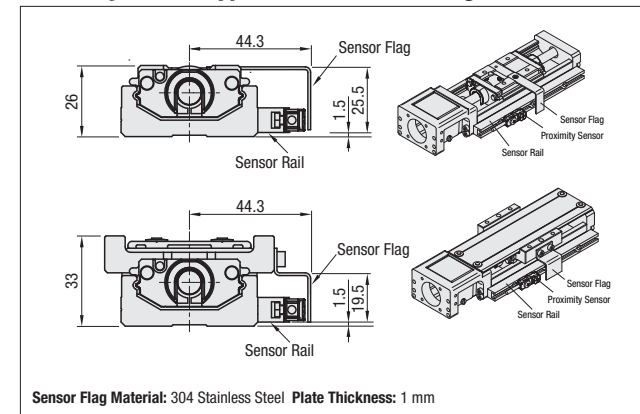
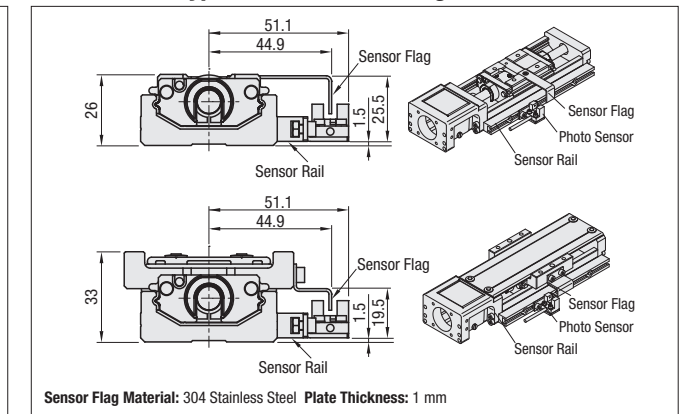


Photo Sensor Type Installation Drawings (SUNX Limited)



Ⓞ Please access each sensor manufacturer's website for the specifications of sensors in use.

Servo Motor Application Table

Part Number	Flange Size	Manufacturer	Wattage
A2625	25	Yaskawa/ Mitsubishi Electric Corporation	10W / 20W / 30W
A2628	28	Mitsubishi Electric Corporation	
A2638	38	Panasonic	50W / 100W
E2640		SIEMENS	
A2640	40	Yaskawa Electric Corporation	50W
		Mitsubishi Electric Corporation	
		Keyence Corporation	
		Omron Corporation	
		Sanyo Denki Co., Ltd.	

Stepper Motor Application Table

Part Number	Flange Size	Manufacturer	Type
T2628	28	Oriental Motor	2-Phase / 5-Phase / α-Step
T2642	42		
T2656.4	56.4	NEMA standards	—

- Ⓞ NEMA standards are a set of standards stipulated by National Electrical Manufacturers Association of United States.
- Ⓞ For details on supported motor types and detailed diagram of Motor Adapter Plates, see P532.
- Ⓞ Shaft insertion depth on coupling will be 0.5 mm shorter on each side when used with Siemens motor.