

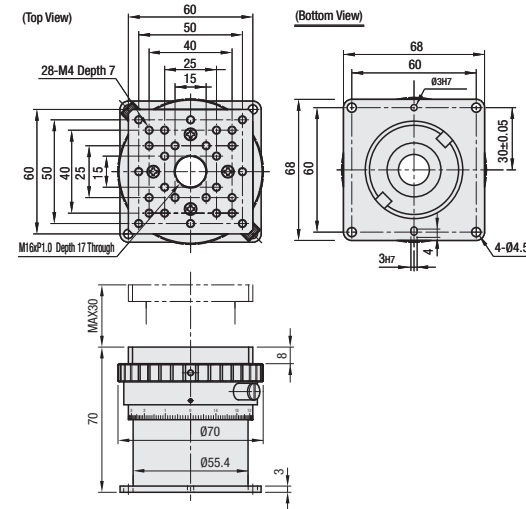
[High Precision] Helicoid Screw Stages

Horizontal Surface Z-Axis Stage

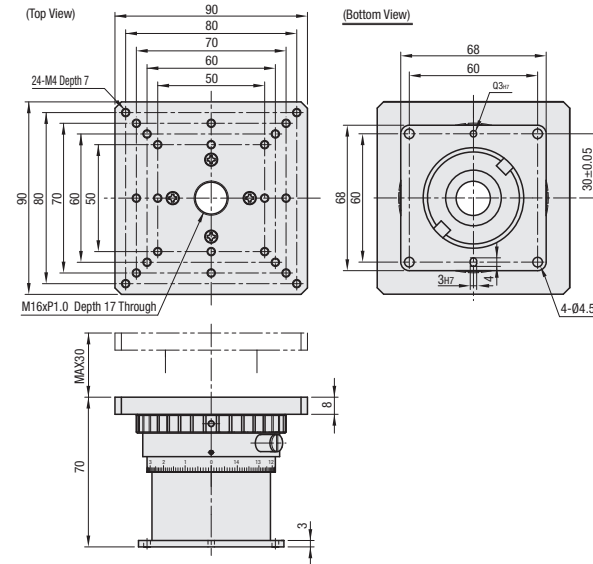


RoHS10

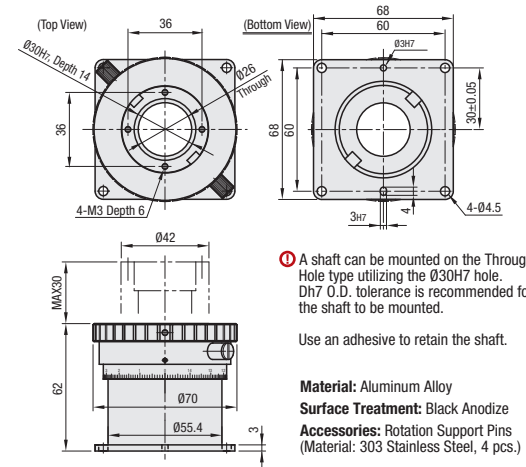
With Mount Plates (60, 90 Square) ZHRD30-60



ZHRD30-90



Through Hole Type ZHRD30-T

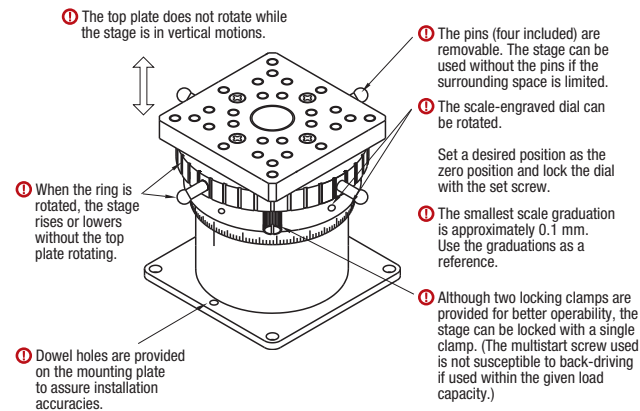


A shaft can be mounted on the Through Hole type utilizing the $\varnothing 30H7$ hole. Dh7 O.D. tolerance is recommended for the shaft to be mounted.

Use an adhesive to retain the shaft.

Material: Aluminum Alloy
Surface Treatment: Black Anodize
Accessories: Rotation Support Pins (Material: 303 Stainless Steel, 4 pcs.)

Overview: Helicoid Screw Horizontal Surface Z-Axis Stage



Part Number Type	No.	Stage Surface (mm)	Travel Distance (mm)	Travel per Knob Rotation (mm)	Load Capacity (N)	Parallelism (μm)	Weight (kg)	Accessories (4 pcs.)
ZHRD	30-60	60 x 60	30	15	68.6	50 μm	0.50	SCB4-8
	30-90	90 x 90					0.59	
	30-T	—					0.42	

There may be some clearance when moment loads are applied on the stage.

Part Number Example: ZHRD30-60

[High Precision] Dovetail Slide, Feed Screw

Long (Selectable lead) / Compact Carriage (Lead 4.2 mm)

Features: Dovetail Slide Feed Screw stage with selectable screw lead in 2 mm, 5 mm and 10 mm. Suitable for vertical use.

X-Axis Long (Selectable lead type)

Z-Axis P.2074

RoHS10

XLSL

(1) Mount from Top: Use M2 screws.
(2) Mount from Bottom: Use M3 screws.
(3) Mount from Bottom: Use M4 screws.

Mounting Hole Enlarged View

(1) Mount from Front
(2) Mount from Back

Material: Aluminum Alloy
Surface Treatment: Black Anodize

① The scale in the above figure is for L120, and not for L90,150.
② The external dimensions will be the same if L is the same, even if the move distance per knob rotation is different.

Part Number Type	No.	Travel per Rotation (mm)	Travel Distance (mm)	L	N Number of Mounting Hole Rows	Number of Mounting Holes (N x 2)	I (mm)	E (mm)	Load Capacity (N)		Travel Accuracy (μm)		Weight (kg)			
									Horizontal	Vertical	Straightness	Parallelism				
XLSL	90	2	± 27	90	3	6	20	55	29.4	14.7	30	30	0.14			
		5														
		10														
	120	2	± 42	120	4	8	22.5	80						40	40	0.16
		5														
		10														
150	5	± 57	150	5	10	25	110	0.18								
	10															

- ① Resolution (Vernier Scale Indication): 0.1 mm/division
- ① Knob Cover HDCVR15 (Sold Separately): $\varnothing 15$ knobs can be increased in diameter by installing the cover.
- ① Adjustable Plate XPLT40: Use this plate when connecting stages with non-matching mounting holes.

Part Number Example: XLSL90-5