

Flat Belt Conveyor SV Series

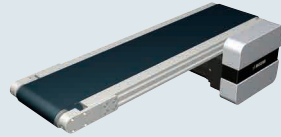
End Drive, 2-Groove Frame (Pulley Dia. 30mm)

CE
Compliant

* CE is not supported for widths of 300 and 400.

Features: Streamlined structure has lowered cost.

Flat Belt Conveyor SV Series – End Drive, 2-Groove Frame (Pulley Dia. 30mm)



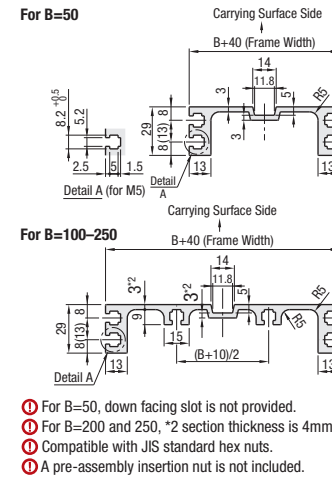
SVKA

*When L>400, each slot has four (4) nuts inserted. When counterbores for inserting nuts are required, please specify in alterations.
*1 When L>2005, belt support rollers are mounted at these positions.

- Ⓢ The dimensions in the diagram are for Belt Specifications H (0.9mm thick.). Take note that belt thickness varies by Belt Specifications.
- Ⓢ The "Detail A" section of the frame is used for pulley holder mounting. The nuts cannot be moved to this area.

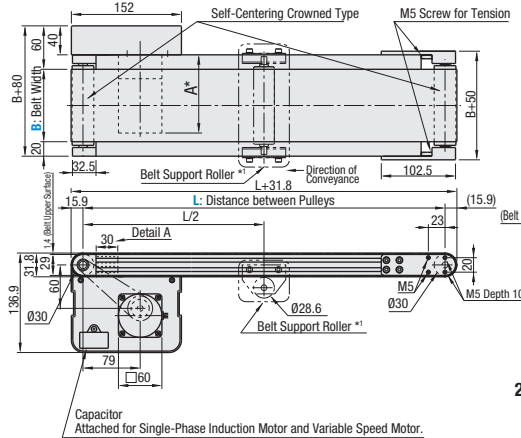
	Frame	Motor Cover	Pulley Holder
Material	Aluminum	Aluminum	Aluminum
Surface Treatment	Clear Anodize	Painted	Painted

Frame Cross Section and Enlarged View (Symmetrical)

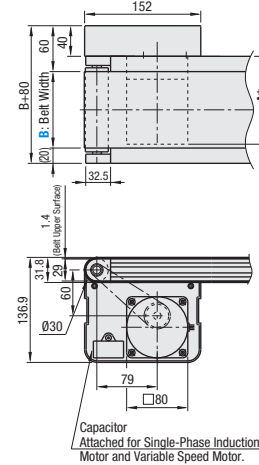


- Ⓢ For B=50, down facing slot is not provided.
- Ⓢ For B=200 and 250, *2 section thickness is 4mm.
- Ⓢ Compatible with JIS standard hex nuts.
- Ⓢ A pre-assembly insertion nut is not included.

6W Motor Type



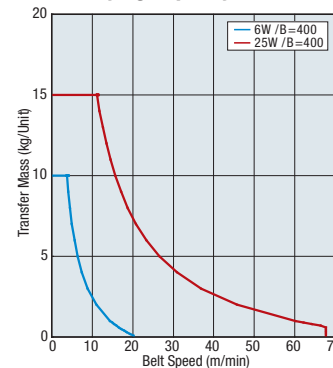
25W Motor Type



Motor Specifications

Output (W)	Specification	Motor		Reduction Ratio	Motor Length (A)
		Manufacturer	Manufacturer		
6W	Constant Speed Motor	Panasonic	Panasonic	12.5-25	101.0
		Oriental	Oriental	30-180	108.0
		Taiwanese	Taiwanese	25-180	115.0
	Variable Speed Motor	Oriental	Oriental	12.5-75	119.7
		Taiwanese	Taiwanese	90-180	125.7
		Taiwanese	Taiwanese	12.5-18	115.0
25W	Constant Speed Motor	Panasonic	Panasonic	5-180	131.9
		Oriental	Oriental	5-18	117.0
		Taiwanese	Taiwanese	25-180	127.5
	Variable Speed Motor	Oriental	Oriental	5-75	129.0
		Taiwanese	Taiwanese	90-180	136.0
		Taiwanese	Taiwanese	5-18	127.0

Conveying Capacity



*Reference Value may differ by selected Belt.

Gearhead Reduction Ratio

*Conveyance speeds are reference values based on IM (motor rotational speed 1,500 rpm [50 Hz]/1,800 rpm [60 Hz]).
*May decrease depending on load condition.

Gearhead Reduction Ratio	Belt Speed (m/min)	
	50Hz	60Hz
5	56.4	67.7
7.5	37.6	45.1
9	31.3	37.6
12.5	22.6	27.1
15	18.8	22.6
18	15.7	18.8
25	11.3	13.5
30	9.4	11.3
36	7.8	9.4
50	5.6	6.8
60	4.7	5.6
75	3.8	4.5
90	3.1	3.8
100	2.8	3.4
120	2.4	2.8
150	1.9	2.3
180	1.6	1.9

- Ⓢ For motor specification SCM, this is adjustable up to (1/15) × (max. speed).
- The weight that can be conveyed decreases as the speed decreases.

Flat Belt Conveyor SV Series

End Drive, 2-Groove Frame (Pulley Dia. 30mm), continued

GOOD
DESIGN

Conveyor Resource Site:
<http://www.misumiusa.com/conveyor/>
Conveyor selection, Design your own kit,
& Maintenance parts search.

Part Number	Width B (mm)	Length L 5mm Increment	Motor				Belt Specification	Motor Manufacturer Selection		
			Output (W)	Voltage (V)	Specification	Gearhead Reduction Ratio				
SVKA	50 100 150 200 250 300 400	300 - 3000	6 25	(Single-Phase) TA100 TA110 TA115 TA200 TA220 TA230	IM* (Constant Speed Motor)	5 7.5 9 12.5 15 18 25 30 36 50	H (General Specifications, Green) W (General Specifications, White) G (For Sliding, Green) S (For Sliding, White) D (Static Conductive) F (Food Grade, White) O (Oil Resistant, Navy Blue) N (Non-Stick Food Grade, White) J (No Belt)	A (Panasonic Motor) B (Oriental Motor) C (Taiwanese Motor) *SCM (Variable Speed Motor) is not selectable for A.		
					SCM (Variable Speed Motor)					
					IM (Constant Speed Motor)	Ⓢ 5-9 not applicable for 6W Motor Ⓢ Gear head reduction ratio 7.5, 100, and 150 are not applicable to self kit conveyor.				
						6 25	(Three-Phase) SA200 SA220 SA230	IM (Constant Speed Motor)		
						6 25	(No Motor)	NV* (No Motor)	NH (No Gearhead)*	R (No Motor, Gearhead)

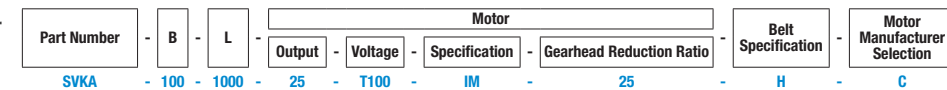
- Ⓢ Connect the motor so that the belt rotates in the direction of conveyance.
- Ⓢ When "No motor, gearhead" is selected, the motor mounting hole pitch will vary depending on the motor's power rating. Please see Technical Information in our Conveyor Selection web site for the dimension details.
- Ⓢ When "No motor, gearhead" is selected, this unit will be delivered unassembled. The customer is to assemble the unit according to the included assembly instructions. See our Conveyor Selection site for assembly procedures and packaging details.
- Ⓢ Regardless of the belt specifications, it is not recommended to use the conveyor while the conveyor is tilted.

Belt Specification	Standard Belt	Optional Belt 1	Optional Belt 2	No Belt
General Purpose	H (Green), W (White), HG (Green)	—	HY (Yellow Green), HBN (Sky Blue)	J (No Belt)
For Sliding	G (White), S (White)	—	—	
For Inclined Transfer	LG (Green), LW (White)	—	—	
Grip Type	—	GG (Green), GW (White)	GSN (Green)	
Oil Resistant	O (Navy Blue), OH (Green), OG (Green)	OW (White)	ON (White)	
Non-Stick Food Grade	N (White), NS (White)	NB (Sky Blue), NBG (Lime Green), HH (Green), HW (White)	NWN (White), NSN (Sky Blue), NGN (Lime Green), HBG (Green), HBW (White), BW (White)	
Food Grade	F (White)	KW (White), KSB (Sky Blue), PHB (Sky Blue)	PHN (Sky Blue), PWN (Sky Blue), KWN (White)	
Static Conductive	D (Black), DS (Black)	—	DG (Black)	

- Ⓢ If using Optional Belts, please select motor manufacturer A or B (Motor C is applicable for Standard Belt only).
- Ⓢ Select a belt with a thickness of 1.0 mm or less for a motor output of 6 W.

Part Number	B	Available Types																						
		L300-400	L405-500*	L505-600	L605-700	L705-800*	L805-900	L905-1000*	L1005-1100	L1105-1200	L1205-1300	L1305-1400	L1405-1500	L1505-1600	L1605-1700	L1705-1800	L1805-1900	L1905-2000	L2005-2200	L2205-2400	L2405-2600	L2605-2800	L2805-3000	
SVKA	50*	•	•	•	•	•	•	•	•	•	•	•	•	•	•	•	•	•	•	•	•	•	•	•
	100*	•	•	•	•	•	•	•	•	•	•	•	•	•	•	•	•	•	•	•	•	•	•	•
	150*	—	—	—	•	•	•	•	•	•	•	•	•	•	•	•	•	•	•	•	•	•	•	•
	200	—	—	—	—	—	—	—	—	—	—	—	—	—	—	—	—	—	—	—	—	—	—	—
	250	—	—	—	—	—	—	—	—	—	—	—	—	—	—	—	—	—	—	—	—	—	—	—
	300	—	—	—	—	—	—	—	—	—	—	—	—	—	—	—	—	—	—	—	—	—	—	—

Part Number Example



Machine Weight (With a Motor Output of 6 W)
*Reference values (may vary depending on motor manufacturer)

Belt Width B (mm)	Distance Between Pulleys L (mm)				
	500	1000	1500	2000	2500
50	3.7	4.8	5.8	6.9	7.9
100	4.4	5.8	7.3	8.7	10.4
150	5	6.8	8.7	10.5	12.8
200	5.7	7.9	10.1	12.3	15.1
250	6.3	8.9	11.6	14.3	17.3
300	6.8	10.5	13.9	16	19
400	8.2	12.4	15	19.7	23.9

*When the motor output is 25 W, add 1.1 kg.

Part Number Alterations

Motor Position Reversed
Additional Counterbores
Motor Cover with Window
Brackets for Speed Controller Included
Post-Assembly Insertion Nuts Included
Motor with Terminal Box
Stands (Legs)

For details of alterations, see P.1276.