



# Painted Panels

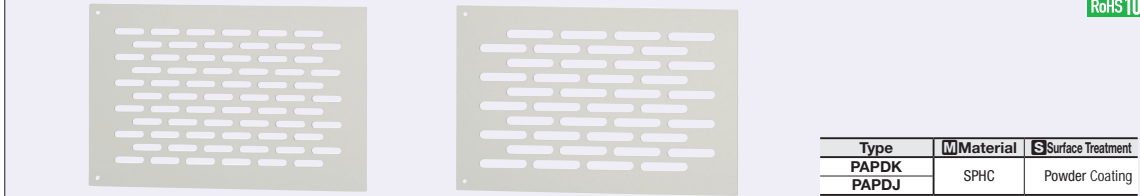
## Ventilation Hole

LARGE QUANTITY ORDER

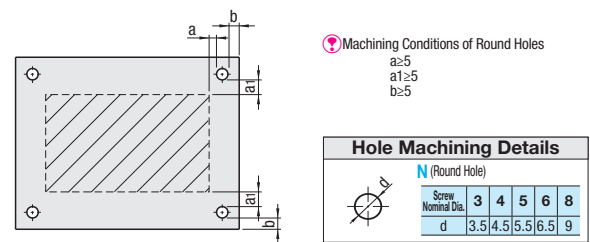
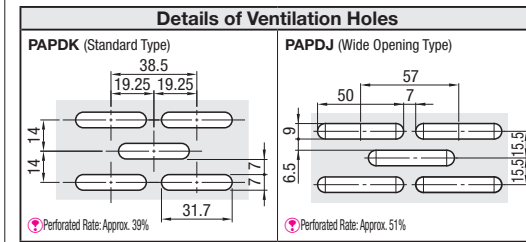
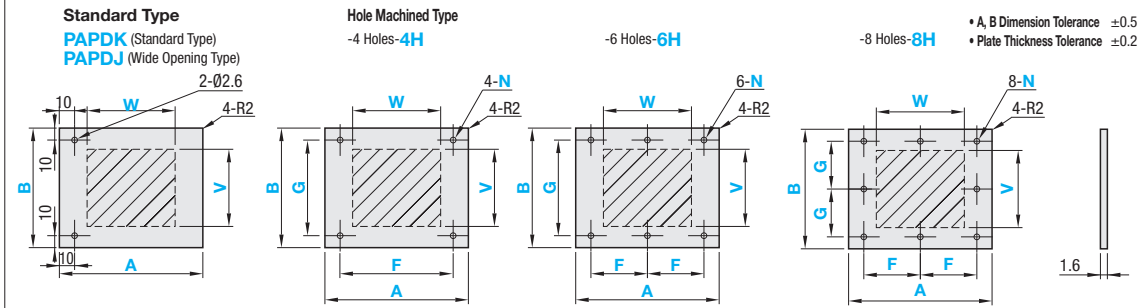
CAD Data Folder Name: 44\_Cover\_Panels

Powder painted panels with vent holes, excellent in both appearance and corrosion resistance.

RoHS10



| Type  | Material | Surface Treatment |
|-------|----------|-------------------|
| PAPDK | SPHC     | Powder Coating    |
| PAPDJ |          |                   |



### Standard Type

| Part Number Type                                   | 1mm Increment |          | 1mm Increment |         | Selection Paint Color  |
|--|---------------|----------|---------------|---------|--|
|  | A             | B        | W             | V       |  |
| PAPDK (Standard Type)<br>PAPDJ (Wide Opening Type) | 200~1200      | 200~1000 | 100~950       | 100~950 | U2570B<br>U2280D<br>U2290D<br>U2580B<br>U2785B<br>U2290B<br>UN95<br>UN10 |

Since the vent hole dimensions (Perforation rate) are fixed, the actual W and V dimensions may be smaller than specified.

### Hole Machined Type

| Part Number Type                                   | Nominal        | 1mm Increment |          | 1mm Increment   |  | Nominal Dia. N        | Selection Paint Color  |
|--|----------------|---------------|----------|---|--|-----------------------|--|
|  |                | A             | B        | F   | G  |                       |  |
| PAPDK (Standard Type)<br>PAPDJ (Wide Opening Type) | 4H<br>6H<br>8H | 200~1200      | 200~1000 | 9~1186 (4H Type)<br>9~593 (6H Type)<br>57~593 (8H Type) | 9~986 (4H Type)<br>114~986 (6H Type)<br>57~493 (8H Type) | 3<br>4<br>5<br>6<br>8 | U2570B<br>U2280D<br>U2290D<br>U2580B<br>U2785B<br>U2290B<br>UN95<br>UN10 |

Since the vent hole dimensions (Perforation rate) are fixed, the actual W and V dimensions may be smaller than specified.

Paint Color Type (All finished in semi-gloss, except for UN95. UN95 only is full gloss.): Specified by Japan Paint Manufacturers Association Color Code 2007 Edition

| Paint Color                            |                                      |                                      |                                    |
|--|--------------------------------------|--------------------------------------|------------------------------------|
| U2570B<br>Approx. Munsell No.5Y7/1     | U2280D<br>Approx. Munsell No.2.5Y8/2 | U2290D<br>Approx. Munsell No.2.5Y9/2 | U2580B<br>Approx. Munsell No.5Y8/1 |
| U2785B<br>Approx. Munsell No.7.5Y8.5/1 | U2290B<br>Approx. Munsell No.2.5Y9/1 | UN95<br>Approx. Munsell No.N9.5      | UN10<br>Approx. Munsell No. N1     |



Standard Type  
Part Number - A - B - W - V - Paint Color  
PAPDK - 800 - 700 - 700 - 600 - UN95



Configure Online



Configure Online

### Standard Type Unit Price

| Part Number  | A        | Unit Price B |         |         |         |         |         |         |          |
|--|----------|--------------|---------|---------|---------|---------|---------|---------|----------|
|  |          | 200~300      | 301~400 | 401~500 | 501~600 | 601~700 | 701~800 | 801~900 | 901~1000 |
| PAPDK (Standard Type)<br>PAPDJ (Wide Opening Type) | 200~300  |              |         |         |         |         |         |         |          |
|  | 301~400  |              |         |         |         |         |         |         |          |
|  | 401~500  |              |         |         |         |         |         |         |          |
|  | 501~600  |              |         |         |         |         |         |         |          |
|  | 601~700  |              |         |         |         |         |         |         |          |
|  | 701~800  |              |         |         |         |         |         |         |          |
|  | 801~900  |              |         |         |         |         |         |         |          |
|  | 901~1000 |              |         |         |         |         |         |         |          |

### Hole Machining Charge

| Hole Type | Hole Machining Charge |
|-----------|-----------------------|
| 4H        |                       |
| 6H        |                       |
| 8H        |                       |

The price of Hole Machined Type is found by adding the Standard Type unit price to the hole machining charge.

(Ex.) Part Number - A - B - F - G - W - V - Screw Nominal Dia. - Paint Color  
PAPDK4H - 600 - 400 - F580 - G380 - W500 - V350 - N6 - U2280D

