

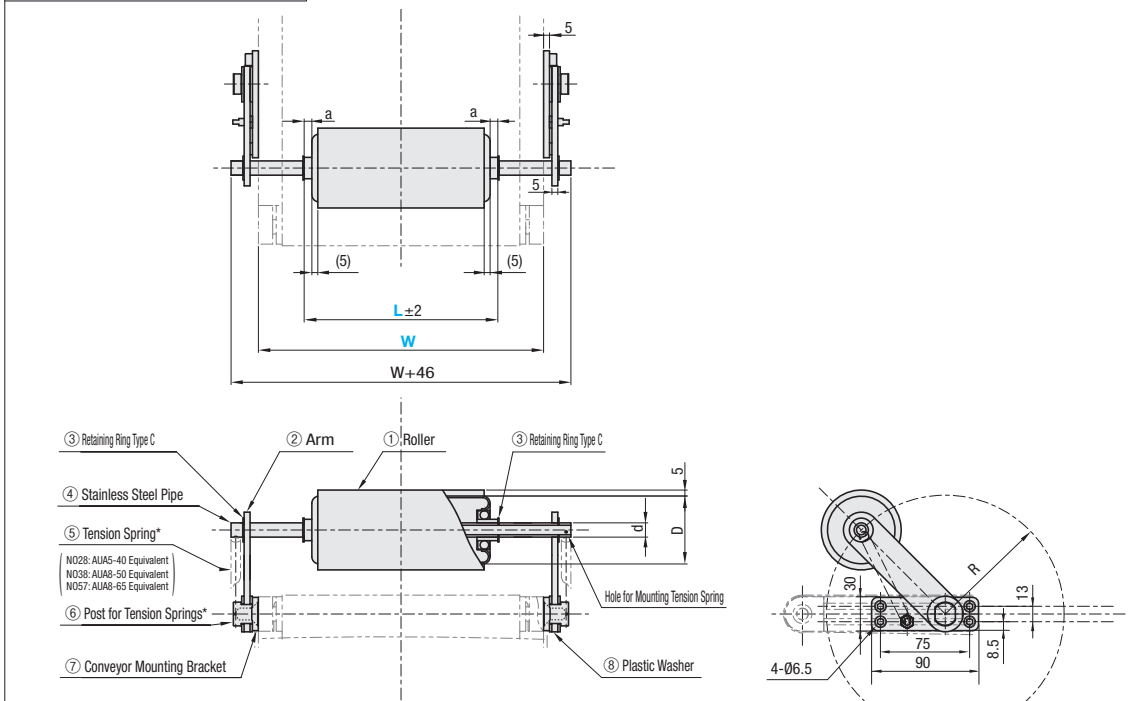


Conveyor Press Rollers

Standard Type

■ **Features:** Suitable for conveying printed materials. Roller sizes and urethane type can be selected according to the workpiece.

Type	① Roller						
	Fixed	Spring Loaded	Material		Hardness	Color	
CHRS	COBS	Core	Wheel	Lining	Shore 90	Natural Color	
CHRU	COBU						Carbon Steel
				Antistatic Urethane			
	② Arm	③ Retaining Ring Type C	④ Stainless Steel Tube	⑤ Tension Spring	⑥ Post for Tension Springs	⑦ Conveyor Mounting Bracket	⑧ Plastic Washer
M Material	6061 Aluminum Alloy	304 Stainless Steel	304 Stainless Steel	304 Stainless Steel	304 Stainless Steel	304 Stainless Steel	Polyacetal
S Surface Treatment	Clear Anodize						



① Roller is fixed on the center.
 * ⑤ Tension Spring and ⑥ Tension Spring Post are included with COBS and COBU only.

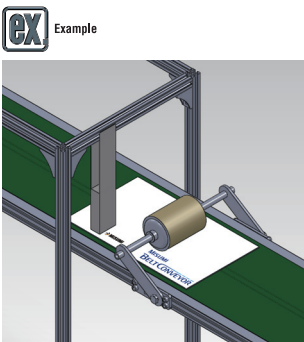
Part Number	L	W 1mm Increment	D	d	a	R	Unit Price							
							CHRS, COBS				CHRU, COBU			
TYPE	No						113	163	213	263	313	413	513	
Fixed CHRS CHRU	28	113	150	28.6	8.2	3.5	60							
	38	163		38.1	12.2	5.5	75							
	57	213		57.2	12.2	6.5	100							
Spring Loaded COBS COBU	28	313	550	28.6	8.2	3.5	60							
	38	413		38.1	12.2	5.5	75							
	57	513		57.2	12.2	6.5	100							

Ordering Example: Part Number - L - W
 Type No - L - W
 CHRU 57 - 313 - 500

Days to Ship: [Configure Online](#)

Alterations: Part Number - L - W - (TB)
 Type No - L - W - (TB)
 COBS 38 - 313 - 500 - TB15-830-G45

Alterations	Mounting Bracket Hole Diameter Specified												
Code	TB												
Spec.	The hole diameter of the conveyor mounting bracket is changed to 1 mm increment.												
	<table border="1"> <tr> <th>TB</th> <th>B</th> <th>G</th> </tr> <tr> <td>1mm Increment</td> <td>Selection</td> <td>0.5mm Increment</td> </tr> <tr> <td>12-21</td> <td>30</td> <td>4.5-9</td> </tr> <tr> <td>12-41</td> <td>50</td> <td></td> </tr> </table>	TB	B	G	1mm Increment	Selection	0.5mm Increment	12-21	30	4.5-9	12-41	50	
TB	B	G											
1mm Increment	Selection	0.5mm Increment											
12-21	30	4.5-9											
12-41	50												
	* When B = 30, TB + G ≤ 25.5; When B = 50, TB + G ≤ 45.5 Ordering Code: TB15-B30-G4.5												

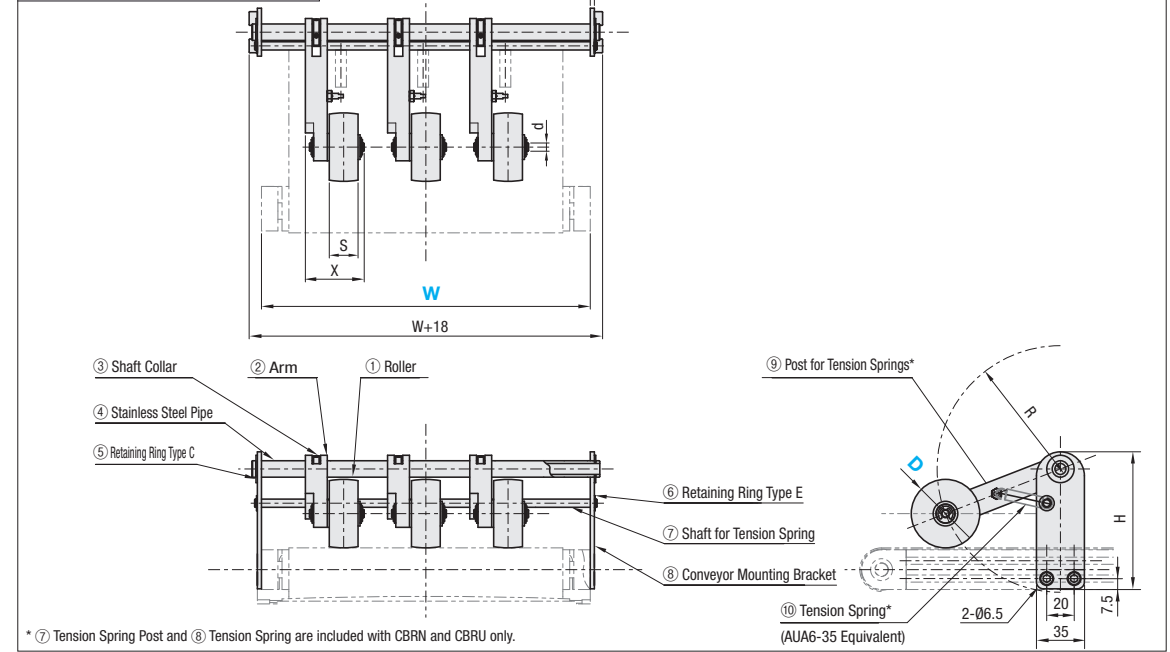


Conveyor Press Rollers

Small Rollers

■ **Features:** Suitable for conveying printed materials. Roller quantity and material can be selected according to the workpiece.

Type	① Roller								
	Fixed	Spring Loaded	Material		Hardness	Color			
CKRN	CBRN	Core	Wheel	Lining	Shore 90	Natural Color			
CKRU	CBRU						Carbon Steel	Steel	Urethane
				Antistatic Urethane					
	② Arm	③ Shaft Collar	④ Stainless Steel Tube	⑤ Retaining Ring Type C	⑥ Retaining Ring Type E	⑦ Tension Spring Shaft	⑧ Conveyor Mounting Bracket	⑨ Post for Tension Springs	⑩ Tension Spring
M Material	6061 Aluminum Alloy	304 Stainless Steel	304 Stainless Steel	304 Stainless Steel	304 Stainless Steel	304 Stainless Steel	304 Stainless Steel	304 Stainless Steel	304 Stainless Steel
S Surface Treatment	Clear Anodize								



* ⑦ Tension Spring Post and ⑩ Tension Spring are included with CBRN and CBRU only.

Part Number	Roller	W 1mm Increment	d	S	X	H	R	Unit Price											
								CKRN, CBRN					CKRU, CBRU						
TYPE	D							W											
								45-100	101-200	201-300	301-400	401-550	45-100	101-200	201-300	301-400	401-550		
Fixed CKRN CKRU	32	1 2 3	45	5	14	35	90												
	50			6.7	21	43	100												
	75			8.2	25	51	120	110											
Spring Loaded CBRN CBRU	32	1 2 3	550	5	14	35	90												
	50			6.7	21	43	100												
	75			8.2	25	51	120	110											

D	Additional Price			
	CKRN, CBRN		CKRU, CBRU	
	Number of Rollers			
	2	3	2	3
32				
50				
75				

Ordering Example: Part Number - Number of Rollers - W
 Type D - Number of Rollers - W
 CKRN 75 - 3 - 300

Days to Ship: [Configure Online](#)

Alterations: Part Number - Number of Rollers - W - (TT)
 Type D - Number of Rollers - W - (TT)
 CBRN 50 - 2 - 200 - TT15

Alterations	Mounting Bracket Mounting Holes Added												
Code	TT												
Spec.	The number of mounting holes for the conveyor mounting bracket is changed to 4.												
	<table border="1"> <tr> <th>TT</th> <th>D</th> <th>1mm Increment</th> </tr> <tr> <td></td> <td>32</td> <td>8-24</td> </tr> <tr> <td></td> <td>50</td> <td>8-34</td> </tr> <tr> <td></td> <td>75</td> <td>8-54</td> </tr> </table>	TT	D	1mm Increment		32	8-24		50	8-34		75	8-54
TT	D	1mm Increment											
	32	8-24											
	50	8-34											
	75	8-54											
	Ordering Code: TT15												

