

High Precision Dovetail Slide, Feed Screw

Rectangular / Reinforced Clamp / Low Profile (Lead 4.2mm)

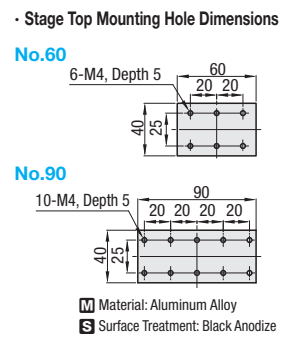
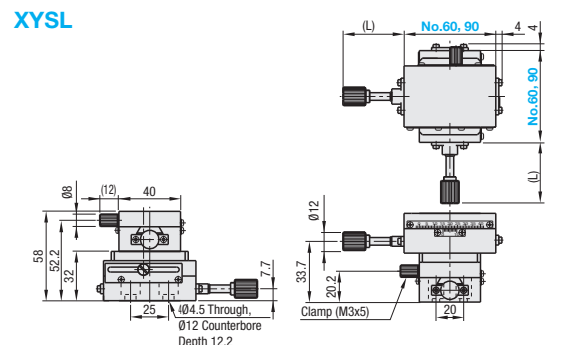
Other Information about Stages
 Stage Selection Table P.1639, P.1640
 New Products P.1641
 About Standard Stages P.1642
 Overview, Technical Information P.1643, P.1644

High Precision Dovetail Slide, Feed Screw

Square / Extended Knob (Lead 4.2mm)

Other Information about Stages
 Stage Selection Table P.1639, P.1640
 New Products P.1641
 About Standard Stages P.1642
 Overview, Technical Information P.1643, P.1644

Feature: Smooth feeding 4.2mm lead Dovetail Slide Feed Screw Stages.

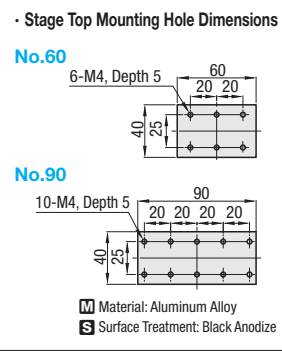
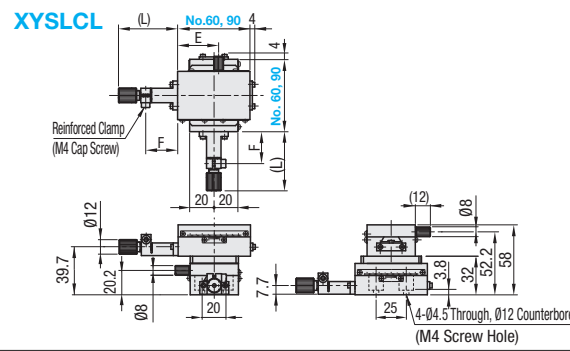


Part Number	Stage Surface	Travel Distance	(L)	E	Travel per Knob Rotation	Load Capacity	Travel Accuracy	Weight	Accessories	Unit Price
Type	No.	(mm)	(mm)	(mm)	(mm)	(N)	(µm)	(kg)	Type M-L	1-9 pc(s).
XYSL	60	40x60	±21	40	34	4.2	34.3	30	30	0.45
	90	40x90	±35	60	49			0.63		SCB4-8

Resolution (Vernier Scale Indication): 0.1mm/division
 Extension Cover HDEXT12 (Sold Separately): Ø12 feed screw knob can be extended. P.1683

Ordering Example: XYSL60
 Days to Ship: Configure Online
 Alterations: Part Number - (R) XYSL90 - R

The feed knob is clamped directly with a split clamp for minimized position drift.

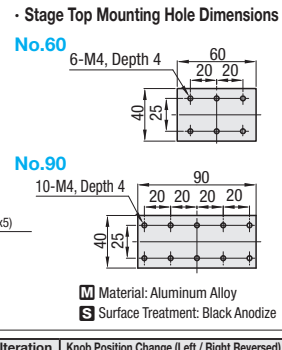
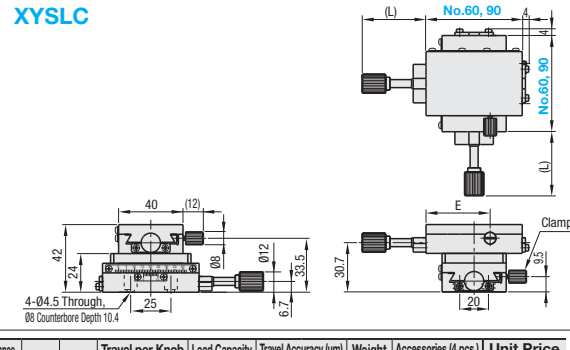
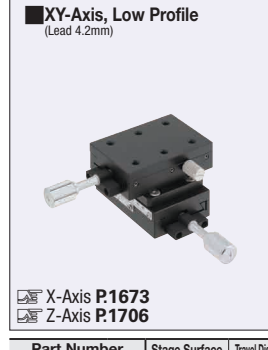


Part Number	Stage Surface	Travel Distance	(L)	E	F	Travel per Knob Rotation	Load Capacity	Travel Accuracy	Weight	Accessories	Unit Price
Type	No.	(mm)	(mm)	(mm)	(mm)	(mm)	(N)	(µm)	(kg)	Type M-L	1-9 pc(s).
XYSLCL	60	40x60	±21	49	34	26	37.4	30	30	0.37	
	90	40x90	±35	63	49	40.5	36.7			0.53	

Resolution (Vernier Scale Indication): 0.1mm/division
 Extension Cover HDEXT12 (Sold Separately): Ø12 feed screw knob can be extended. P.1683

Ordering Example: XYSLCL90
 Days to Ship: Configure Online
 Alterations: Part Number - (R) XYSLCL60 - R

Travel distance per knob rotation is approx. 1/4 of the Rack & Pinion Type. Suitable for fine pitch positioning over a long stroke.

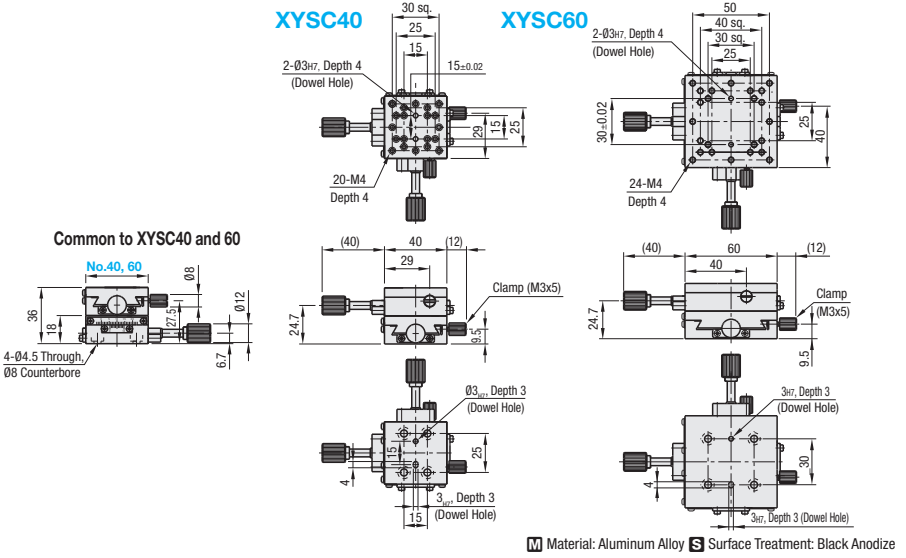
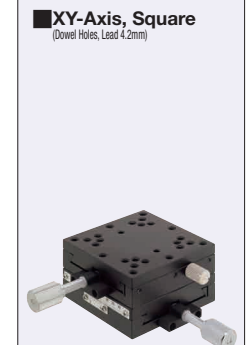


Part Number	Stage Surface	Travel Distance	(L)	E	Travel per Knob Rotation	Load Capacity	Travel Accuracy	Weight	Accessories	Unit Price
Type	No.	(mm)	(mm)	(mm)	(mm)	(N)	(µm)	(kg)	Type M-L	1-9 pc(s).
XYSLC	60	40x60	±21	40	40	4.2	24.5	30	30	0.33
	90	40x90	±35	60	55			0.43		SCB4-5

Resolution (Vernier Scale Indication): 0.1mm/division
 Extension Cover HDEXT12 (Sold Separately): Ø12 feed screw knob can be extended. P.1683

Ordering Example: XYSLC60
 Days to Ship: Configure Online
 Alterations: Part Number - (R) XYSLC90 - R

Feature: Low profile (36mm height/axis) XY-Axis Dovetail Slide Stages with smooth 4.2mm lead feeding.



Part Number	Stage Surface	Travel Distance	Travel per Knob Rotation	Load Capacity	Travel Accuracy	Weight	Accessories	Unit Price
Type	No.	(mm)	(mm)	(N)	(µm)	(kg)	Type M-L	1-9 pc(s).
XYSC	40	40x40	±11	14.7	20	0.20	SCB4-5	
	60	60x60	±21	24.5	30	0.38		

Resolution (Vernier Scale Indication): 0.1mm/division
 Extension Cover HDEXT12 (Sold Separately): Ø12 feed screw knob can be extended. P.1683

Ordering Example: XYSC60
 Days to Ship: Configure Online
 Alterations: Model - (R) XYSC40 - R

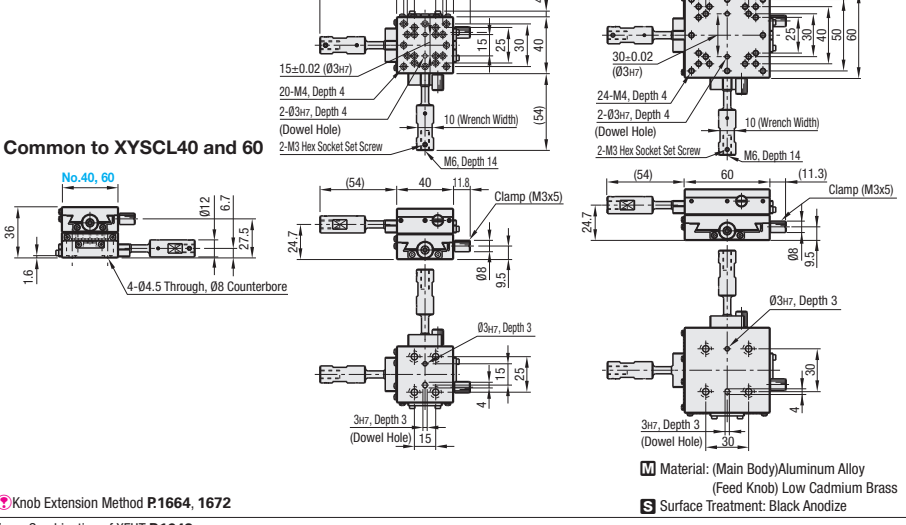
Standard Stages with Similar Specifications: Combination of XFHT P.1648

Part Number	Stage Surface	Travel Distance	Travel per Knob Rotation	Load Capacity	Travel Accuracy	Weight	Accessories	Unit Price
Type	No.	(mm)	(mm)	(N)	(µm)	(kg)	Type M-L	1-9 pc(s).
XYSC	40	40x40	±11	14.7	20	0.20	SCB4-5	
	60	60x60	±21	24.5	30	0.38		

Resolution (Vernier Scale Indication): 0.1mm/division
 Extension Cover HDEXT12 (Sold Separately): Ø12 feed screw knob can be extended. P.1683

Ordering Example: XYSC60
 Days to Ship: Configure Online
 Alterations: Model - (R) XYSC40 - R

Feature: Effective when feed knobs are difficult to turn due to the carriage mounted objects interfere, or when the knobs are hard to reach since the stage is deeply embedded inside a machine.



Part Number	Stage Surface	Travel Distance	Travel per Knob Rotation	Load Capacity	Travel Accuracy	Weight	Accessories	Unit Price
Type	No.	(mm)	(mm)	(N)	(µm)	(kg)	Type M-L	1-9 pc(s).
XYSLC	40	40x40	±11	18.6	30	0.21	SCB4-6	
	60	60x60	±21	17.7	30	0.39		

Resolution (Vernier Scale Indication): 0.1mm/division
 Extension Cover HDEXT12 (Sold Separately): Ø12 feed screw knob can be extended. P.1683

Ordering Example: XYSLC40
 Days to Ship: Configure Online
 Alterations: Model - (R) XYSLC60 - R

Standard Stages with Similar Specifications: Combination of XFHT P.1648

Part Number	Stage Surface	Travel Distance	Travel per Knob Rotation	Load Capacity	Travel Accuracy	Weight	Accessories	Unit Price
Type	No.	(mm)	(mm)	(N)	(µm)	(kg)	Type M-L	1-9 pc(s).
XYSLC	40	40x40	±11	18.6	30	0.21	SCB4-6	
	60	60x60	±21	17.7	30	0.39		

Resolution (Vernier Scale Indication): 0.1mm/division
 Extension Cover HDEXT12 (Sold Separately): Ø12 feed screw knob can be extended. P.1683

Ordering Example: XYSLC40
 Days to Ship: Configure Online
 Alterations: Model - (R) XYSLC60 - R