

Motor Type

■ Panasonic Motor

Motor Output	Motor Type	Motor Voltage	Motor Part No. (Panasonic Part No.)	Gear Head Part No. (Panasonic Part No.) * Replace "..." with gear head ratio.	
6W	Constant Speed Motor	Single Phase 100V	M61X6G4LG	MX6G_BA (Gear Head Ratio up to 25)	
		Single Phase 110/115V	M61X6G4DG		
		Single Phase 200V	M61X6G4YG		
	Variable Speed Motor	Single Phase 220/230V	M61X6G4GG		MX6G_B (Gear Head Ratio 30 to 180)
		Single Phase 100V	M61X6GV4LG		
		Single Phase 110/115V	M61X6GV4DG		
Single Phase 200V	M61X6GV4YG				
Single Phase 220/230V	M61X6GV4GG				
25W	Constant Speed Motor	Single Phase 100V	M81X25G4LG	MX8G_B	
		Single Phase 110/115V	M81X25G4DG		
		Single Phase 200V	M81X25G4YG		
		Single Phase 220/230V	M81X25G4GG		
		Three Phase 200/220/230V	M8MX25G4YG		
		Single Phase 100V	M81X25GV4LG		
	Variable Speed Motor	Single Phase 110/115V	M81X25GV4DG		
		Single Phase 200V	M81X25GV4YG		
		Single Phase 220/230V	M81X25GV4GG		

Motor Output	Motor Type	Motor Voltage	Motor Part No. (Panasonic Part No.)	Gear Head Part No. (Panasonic Part No.) * Replace "..." with gear head ratio.			
40W	Constant Speed Motor	Single Phase 100V	M91X40G4LG	MX9G_B			
		Single Phase 110/115V	M91X40G4DG				
		Single Phase 200V	M91X40G4YG				
		Single Phase 220/230V	M91X40G4GG				
		Three Phase 200/220/230V	M9MX40G4YG				
		Single Phase 100V	M91X40GV4LG				
	Variable Speed Motor	Single Phase 110/115V	M91X40GV4DG				
		Single Phase 200V	M91X40GV4YG				
		Single Phase 220/230V	M91X40GV4GG				
		60W	Constant Speed Motor		Single Phase 100V	M91Z60G4LG	MZ9G_B
					Single Phase 110/115V	M91Z60G4DG	
					Single Phase 200V	M91Z60G4YG	
Single Phase 220/230V	M91Z60G4GG						
Three Phase 200/220/230V	M9MZ60G4YG						
Single Phase 100V	M91Z60GV4LG						
Variable Speed Motor	Single Phase 110/115V		M91Z60GV4DG				
	Single Phase 200V		M91Z60GV4YG				
	Single Phase 220/230V		M91Z60GV4GG				
	90W		Constant Speed Motor	Single Phase 100V	M91Z90G4LG	MZ9G_B	
				Single Phase 110/115V	M91Z90G4DG		
				Single Phase 200V	M91Z90G4YG		
Single Phase 220/230V		M91Z90G4GG					
Three Phase 200/220/230V		M9MZ90G4YG					
Single Phase 100V		M91Z90GV4LG					
Variable Speed Motor		Single Phase 110/115V	M91Z90GV4DG				
		Single Phase 200V	M91Z90GV4YG				
		Single Phase 220/230V	M91Z90GV4GG				

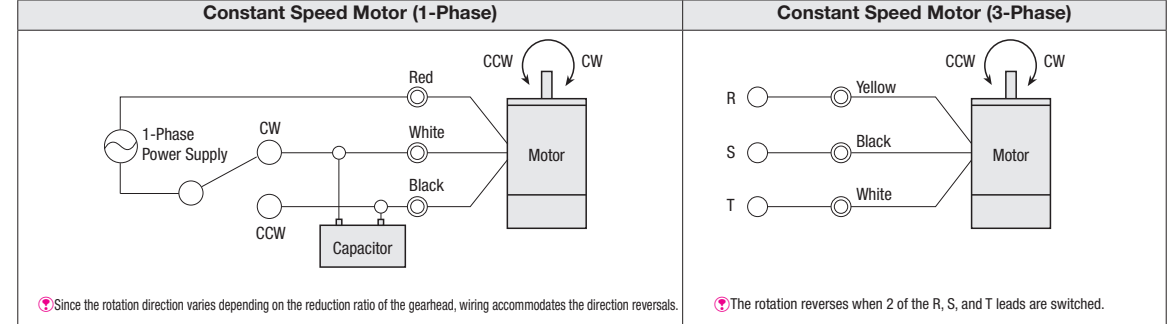
■ Oriental Motor

Motor Output	Motor Type	Motor Voltage	Motor Part No. (Oriental Motor Part No.)	Gear Head Part No. (Oriental Motor Part No.)
6W	Constant Speed Motor	Single Phase 100V	2IK6GN-AW2J	2GN_S
		Single Phase 110/115V	2IK6GN-AW2U	
		Single Phase 200V	2IK6GN-CW2J	
		Single Phase 220/230V	2IK6GN-CW2E	
		Single Phase 100V	US206-401	
	Variable Speed Motor	Single Phase 110/115V	US206-401U2	
		Single Phase 200V	US206-402	
		Single Phase 220/230V	US206-402E2	
		25W	Constant Speed Motor	
Single Phase 110/115V	4IK25GN-AW2U			
Single Phase 200V	4IK25GN-CW2J			
Single Phase 220/230V	4IK25GN-CW2E			
Three Phase 200/220/230V	4IK25GN-SW2			
Single Phase 100V	US425-401			
Variable Speed Motor	Single Phase 110/115V		US425-401U2	
	Single Phase 200V		US425-402	
	Single Phase 220/230V		US425-402E2	

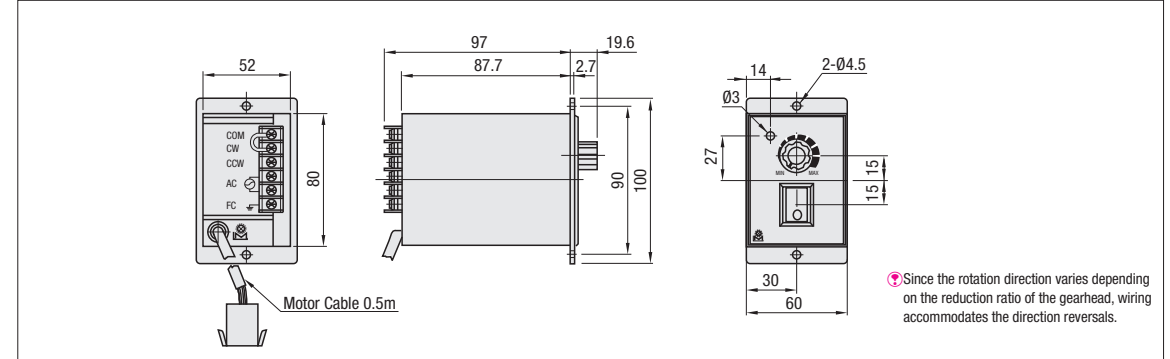
Motor Output	Motor Type	Motor Voltage	Motor Part No. (Oriental Motor Part No.)	Gear Head Part No. (Oriental Motor Part No.)		
40W	Constant Speed Motor	Single Phase 100V	5IK40GN-AW2J	5GN_S		
		Single Phase 110/115V	5IK40GN-AW2U			
		Single Phase 200V	5IK40GN-CW2J			
		Single Phase 220/230V	5IK40GN-CW2E			
		Three Phase 200/220/230V	5IK40GN-SW2			
		Single Phase 100V	US540-401			
		Variable Speed Motor	Single Phase 110/115V		US540-401U2	
			Single Phase 200V		US540-402	
			Single Phase 220/230V		US540-402E2	
	60W		Constant Speed Motor	Single Phase 100V	5IK60GE-AW2J	5GE_S
				Single Phase 110/115V	5IK60GE-AW2U	
				Single Phase 200V	5IK60GE-CW2J	
				Single Phase 220/230V	5IK60GE-CW2E	
				Three Phase 200/220/230V	5IK60GE-SW2	
				Single Phase 100V	US560-501C	
		Variable Speed Motor	Single Phase 110/115V	US560-501U2		
			Single Phase 200V	US560-502C		
			Single Phase 220/230V	US560-502E2		
90W			Constant Speed Motor	Single Phase 100V	5IK90GE-AW2J	5GE_S
				Single Phase 110/115V	5IK90GE-AW2U	
				Single Phase 200V	5IK90GE-CW2J	
	Single Phase 220/230V	5IK90GE-CW2E				
	Three Phase 200/220/230V	5IK90GE-SW2				
	Single Phase 100V	US590-501C				
	Variable Speed Motor	Single Phase 110/115V	US590-501U2			
		Single Phase 200V	US590-502C			
		Single Phase 220/230V	US590-502E2			

■ Motor Manufacturer C (Taiwanese Motor)

• Motor Connection Diagram



• Speed Controller Specifications



■ Taiwanese Motors

⚠ Not available for CVSN, CVSP, CVSMA, CVSPA

Motor Output	Motor Type	Motor Voltage	Motor Part No. (MISUMI Motor Part No.)	Gear Head Part No. (MISUMI Motor Part No.)	Motor Output	Motor Type	Motor Voltage	Motor Part No. (MISUMI Motor Part No.)	Gear Head Part No. (MISUMI Motor Part No.)				
6W	Induction Motor	Single Phase 100V	PACMSTW60-W6-V100	PACMGXT60-□	40W	Induction Motor	Single Phase 100V	PACMSTW90-W40-V100	PACMGXT90-□				
		Single Phase 110/115V	PACMSTW60-W6-V115				Single Phase 110/115V	PACMSTW90-W40-V115					
		Single Phase 200V	PACMSTW60-W6-V200				Single Phase 200V	PACMSTW90-W40-V200					
	Variable Speed Motor	Single Phase 220/230V	PACMSTW60-W6-V230				Single Phase 220/230V	PACMSTW90-W40-V230					
		Single Phase 100V	PACMSVW-UT60-W6-V100				Three Phase 200V	PACMTTW90-W40-V200					
		Single Phase 110/115V	PACMSVW-UT60-W6-V115				Three Phase 220/230V	PACMTTW90-W40-V230					
25W	Induction Motor	Single Phase 100V	PACMSTW80-W25-V100	PACMGXT80-□	60W	Induction Motor	Single Phase 100V	PACMSTW90-W60-V100	PACMGZT90-□				
		Single Phase 110/115V	PACMSTW80-W25-V115				Single Phase 110/115V	PACMSTW90-W60-V115					
		Single Phase 200V	PACMSTW80-W25-V200				Single Phase 200V	PACMSTW90-W60-V200					
		Single Phase 220/230V	PACMSTW80-W25-V230				Single Phase 220/230V	PACMSTW90-W60-V230					
		Three Phase 200V	PACMTTW80-W25-V200				Three Phase 200V	PACMTTW90-W60-V200					
		Three Phase 220/230V	PACMTTW80-W25-V230				Three Phase 220/230V	PACMTTW90-W60-V230					
	Variable Speed Motor	Single Phase 100V	PACMSVW-UT80-W25-V100			Single Phase 100V	PACMSVW-UT90-W60-V100						
		Single Phase 110/115V	PACMSVW-UT80-W25-V115			Single Phase 110/115V	PACMSVW-UT90-W60-V115						
		Single Phase 200V	PACMSVW-UT80-W25-V200			Single Phase 200V	PACMSVW-UT90-W60-V200						
		Single Phase 220/230V	PACMSVW-UT80-W25-V230			Single Phase 220/230V	PACMSVW-UT90-W60-V230						
		90W	Induction Motor			Single Phase 100V	PACMSTW90-W90-V100	PACMGZT90-□		90W	Induction Motor	Single Phase 100V	PACMSTW90-W90-V100
						Single Phase 110/115V	PACMSTW90-W90-V115					Single Phase 110/115V	PACMSTW90-W90-V115
Single Phase 200V	PACMSTW90-W90-V200			Single Phase 200V	PACMSTW90-W90-V200								
Single Phase 220/230V	PACMSTW90-W90-V230			Single Phase 220/230V	PACMSTW90-W90-V230								
Three Phase 200V	PACMTTW90-W90-V200			Three Phase 200V	PACMTTW90-W90-V200								
Three Phase 220/230V	PACMTTW90-W90-V230			Three Phase 220/230V	PACMTTW90-W90-V230								
Variable Speed Motor	Single Phase 100V		PACMSVW-UT90-W90-V100	Single Phase 100V	PACMSVW-UT90-W90-V100								
	Single Phase 110/115V		PACMSVW-UT90-W90-V115	Single Phase 110/115V	PACMSVW-UT90-W90-V115								
	Single Phase 200V		PACMSVW-UT90-W90-V200	Single Phase 200V	PACMSVW-UT90-W90-V200								
	Single Phase 220/230V		PACMSVW-UT90-W90-V230	Single Phase 220/230V	PACMSVW-UT90-W90-V230								