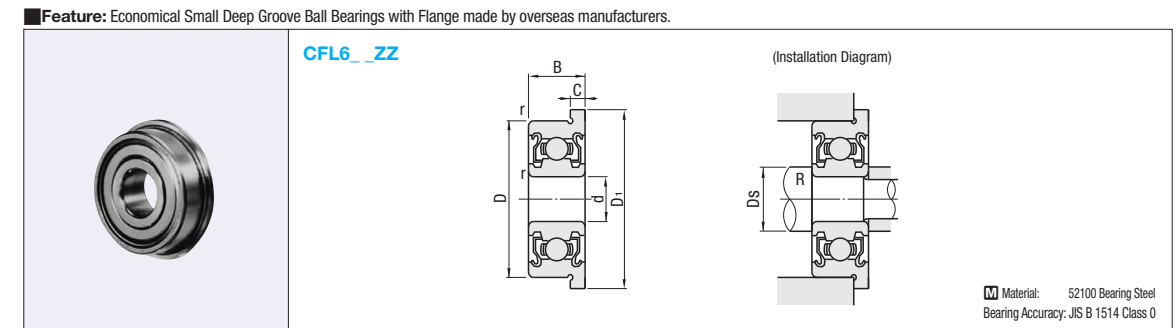
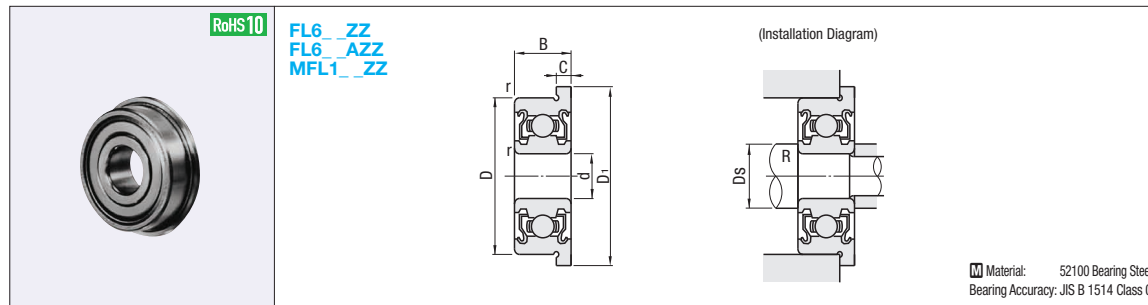


Small Deep Groove Ball Bearings with Flange Double Shielded



Small Deep Groove Ball Bearings with Flange (Economy) Double Shielded



Part Number	d	D	B	D ₁	C	r (min)	Basic Load Rating		Allowable Rotational Speed rpm (Reference)	Relative Dimensions		Mass (g) (Reference)	Unit Price
							Cr (Dynamic) N	Cor (Static) N		Ds (min)	R (max)		
FL682ZZ	2	5	2.3	6.1	0.6	0.08	169	50	85000	2.7	0.08	0.22	
FL692ZZ	2.5	6	3.0	7.5	0.8	0.15	330	98	75000	3.0	0.15	0.48	
FL682AZZ		6	2.6	7.1			208	74	71000	3.7	0.08	0.36	
FL692AZZ	3	7	3.5	8.5	0.9	0.1	385	127	63000	3.85	0.15	0.68	
FL673ZZ		6	2.5	7.2			208	74	71000	3.6	0.08	0.33	
FL683ZZ	3	7	3	8.1	0.8	0.15	390	130	63000	3.9	0.1	0.53	
FL693ZZ		8	4	9.5			560	179	60000			0.97	
FL603ZZ	4	9	5	10.5	1	0.15	570	187	56000	4.2	0.15	1.63	
FL623ZZ		10	4	11.5			630	218	50000			1.86	
FL674ZZ	4	7	2.5	8.2	0.6	0.1	222	88	60000	4.6	0.08	0.35	
FL684ZZ		9		10.3			640	224	53000	5.0	0.1	1.14	
FL694ZZ	4	11	4	12.5	1	0.15	715	276	48000	5.2	0.15	1.96	
FL604ZZ		12		13.5			957	345				2.53	
FL624ZZ	5	13	5	15	1	0.2	1300	485	40000	5.6	0.2	3.53	
FL675ZZ		8	2.5	9.2			217	91	53000			0.41	
FL685ZZ	5	11	5	12.5	1	0.15	715	281	45000	6.2	0.15	2.18	
FL695ZZ		13	4	15			1080	430	43000	6.6	0.2	2.84	
FL605ZZ	5	14	5	16	1	0.2	1330	505	40000	6.6	0.2	3.85	
FL625ZZ		16		18			1729	670	36000	7.7	0.3	5.3	
FL676ZZ	6	10	3	11.2	0.6	0.1	465	196	45000	6.6	0.1	0.77	
FL686ZZ		13	5	15			1080	440	40000	7.0	0.15	3.04	
FL696ZZ	6	15	5	17	1.2	0.2	1350	530	40000	7.6	0.2	4.26	
FL606ZZ		17	6	19			2190	835	38000	8	0.3	6.61	
FL626ZZ	8	19	22	1.5	0.3	0.3	2336	885	32000			9.09	
FL678ZZ		12	3.5	13.6			515	252	40000	8.8	0.1	1.15	
FL688ZZ	8	16	5	18	1.1	0.2	1610	710	36000	9.6	0.2	4.47	
FL698ZZ		19	6	22			1990	865		10	0.3	8.3	
FL608ZZ	10	22	7	25	1.5	0.3	3350	1400	34000			13	
FL670ZZ		15	4	16.5			855	435	15000	10.3	0.15	2.1	
FL680ZZ	10	19	5	21	1	0.3	1716	840	37000	12	0.3	6.1	
FL690ZZ		22	6	25			2695	1273	34000	13.2		11.1	
FL6701ZZ	12	18	4	19.5	0.8	0.2	926	530	13000	12.4	0.2	3.4	
FL6801ZZ		21	5	23			1915	1041	33000	14	0.3	7.1	
FL6901ZZ	12	24	6	26.5	1.5	0.3	2886	1466	31000			13.2	
FL6702ZZ		21	4	22.5			937	582	11000	15.4	0.2	3.9	
FL6802ZZ	15	24	5	26	1.1	0.2	2073	1253	28000			8.3	
FL6902ZZ		28	7	30.5			4321	2259	26000	17	0.3	19.9	
FL6703ZZ	17	23	4	24.5	0.8	0.2	1000	658	9500	17.4	0.2	4.4	
FL6803ZZ		26	5	28			2233	1456	26000			8.9	
FL6903ZZ	17	30	7	32.5	1.5	0.3	4588	2565	23000	19	0.3	21.4	
FL6704ZZ		27	4	28.5			1041	729	8500	20.4	0.2	6.3	
FL6804ZZ	20	32	7	35	1.5	0.3	4015	2462	21000			19.8	
FL6904ZZ		37	9	40			6381	3682	19000	22		42.8	
FL6805ZZ	25	37	7	40	1.5	0.3	4303	2932	18000			26.1	
FL6905ZZ		42	9	45			7001	4540	16000	27		50.2	

Part Number	d	D	B	D ₁	C	r (min)	Basic Load Rating		Allowable Rotational Speed rpm (Ref.)	Relative Dimensions		Mass (g) (Ref.)	Unit Price
							Cr (Dynamic) N	Cor (Static) N		Ds (min)	R (max)		
CFL682ZZ	2	5	2.3	6.1	0.6	0.08	165	48	85000	2.7	0.08	0.22	
CFL673ZZ	3	6	2.5	7.2	0.6	0.1	208	74	71000	3.6		0.33	
CFL683ZZ		7	3	8.1			390	130	63000	3.9	0.1	0.53	
CFL693ZZ	4	8	4	9.5	0.9	0.15	560	179	60000	4.2	0.15	0.97	
CFL674ZZ		7	2.5	8.2			220	88		4.6	0.08	0.35	
CFL684ZZ	4	9		10.3	1	0.1	640	220	53000	5	0.1	1.14	
CFL694ZZ		11	4	12.5			710	276	48000	5.2	0.15	1.96	
CFL675ZZ	5	8	2.5	9.2	0.6	0.1	217	91	53000	5.6	0.08	0.41	
CFL685ZZ		11	5	12.5			715	281	45000	6.2	0.15	2.18	
CFL695ZZ	5	13	4	15	1	0.2	1080	430	43000			2.84	
CFL676ZZ		10	3	11.2			465	196	45000	6.6	0.1	0.77	
CFL686ZZ	6	13	5	17	1.2	0.2	1350	530	40000	7.6	0.2	4.26	
CFL696ZZ		15	5	16			2190	835	38000	8	0.3	6.61	
CFL678ZZ	8	12	3.5	13.6	0.8	0.1	515	252	40000	8.8	0.1	1.15	
CFL688ZZ		16	5	18			1990	865		10	0.3	8.3	
CFL698ZZ	8	19	6	22	1.5	0.3	3350	1400	34000			13	
		15	4	16.5			855	435	15000	10.3	0.15	2.1	

kgf=Nx0.101972

Non-Standard Size

Part Number	d	D	B	D ₁	C	r (min)	Basic Load Rating		Allowable Rotational Speed rpm (Reference)	Relative Dimensions		Mass (g) (Reference)	Unit Price
							Cr (Dynamic) N	Cor (Static) N		Ds (min)	R (max)		
MFL104ZZ	4	10	4	11.6	0.8	0.15	710	270	48000	5.9		1.5	
MFL105ZZ	5			13.6			430	168	50000	6		1.38	
MFL126ZZ	6	12		15.6			715	292	43000	7.2		1.86	
MFL148ZZ	8	14		15.6			817	385	38000	9.26		2.42	

kgf=Nx0.101972

Ordering Example Part Number CFL683ZZ

Price Configure Online

Days to Ship Configure Online

<Why Economy Type is recommended>

Economy Type is also in high quality.

Causes for bearing problems can be detected by performing Anderson Inspection. Economy Type shows equivalent actual Anderson values in comparison with our Standard products.

What is Anderson Inspection?

This inspection measures the bearing's rotational vibrations in (L, H, M) frequency spectra to determine the bearing's performance. The inspection is used on the finished bearings, serving the purpose of removing bearing initial defects.

Anderson Value Comparison of Current MISUMI Standard Products and Current Economy Type

Lower value indicates higher product integrity.

MISUMI's Economy Type Bearings are all subject to Anderson Inspection.

For details of Economy Type, see P873.

Ordering Example Part Number FL606ZZ FL6702ZZ

Price Configure Online

Days to Ship Configure Online