


# Strut Clamps

-Perpendicular Configuration, Different Diameter Shaft Holes, Selectable Pitch-



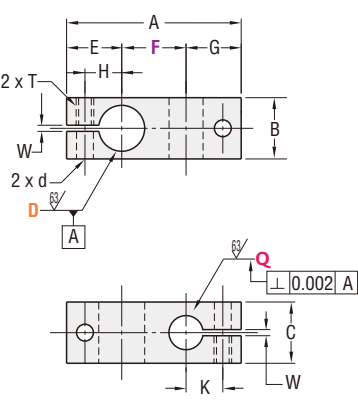
This type of clamp is designed to join two shafts of different sizes at a 90-degree angle. Available in 1018 steel, 6061-T6 aluminum and 304 stainless steel. Smaller sizes have only one clamping bolt, while the larger sizes have two. Clamping hardware included.



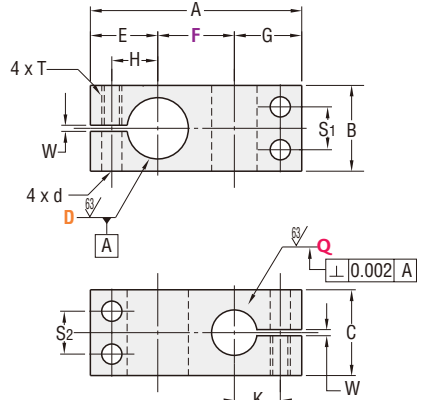
Material	Surface Treatment	Included Hardware	Type
1018 Steel	Black Oxide	S.H.C.S.	U-KMKD
	Electroless Nickel Plating		U-MMKD
6061-T6 Aluminum	Black Anodizing		U-AMKD
304 Stainless Steel	-		U-SMKD

Material Characteristics P.628, 629

**D0.38-0.50**



**D0.63-1.50**



Surface Roughness: Unless otherwise specified

General Tolerance		
From	To	Tolerance
0.000	5.000	+0.01
5.001	16.000	+0.02
16.001	60.000	+0.05

Thread or hole location tolerance: +0.005' non-cumulative.

Part No.	D		Q		F Selection										
	Callout	Nominal	Callout	Nominal	1/2	5/8	3/4	7/8	1"	1-1/4	1-1/2	1-3/4	2"	3"	4"
U-KMKD	0.38	3/8	0.25	1/4	0.5	0.63	0.75	0.88							
U-MMKD	0.50	1/2	0.38	3/8		0.63	0.75	0.88	1.00						
U-AMKD	0.63	5/8	0.50	1/2			0.75	0.88	1.00	1.25					
U-SMKD	0.75	3/4	0.63	5/8					1.00	1.25	1.50				
	1.00	1"	0.75	3/4							1.50	1.75	2.00		
	1.50	1-1/2	1.00	1"								1.75	2.00	3.00	4.00

Order Example: The part number consists only of the fields with blue characters. Please refer to the table below for technical information.

Part No.  -

Type

U-KMKD 0.50 - Q 0.38 - F 0.88

D tolerance and perpendicularity are verified before the slit machining process. Due to possible internal spring force this product may require higher clamping force.

Technical Information

D	Q	A	B	C	E	G	H	K	S1	S2	T		d	W
											Size	Major Dia.		
0.38	0.25	E+F+G	0.563	0.406	0.531	0.469	0.328	0.266	-	-	#8-32	0.164	0.180	0.078
0.50	0.38	E+F+G	0.750	0.563	0.625	0.563	0.406	0.344	-	-	#10-32	0.190	0.206	0.078
0.63	0.50	E+F+G	0.938	0.750	0.750	0.625	0.500	0.406	0.438	0.344	#10-32	0.190	0.206	0.078
0.75	0.63	E+F+G	1.125	0.938	0.875	0.750	0.594	0.500	0.563	0.438	1/4-20	0.250	0.281	0.078
1.00	0.75	E+F+G	1.375	1.063	1.000	0.875	0.719	0.594	0.750	0.563	1/4-20	0.250	0.281	0.078
1.50	1.00	E+F+G	1.938	1.375	1.375	1.125	1.000	0.750	1.000	0.688	5/16-18	0.313	0.344	0.118

D, Q Dimensions

Callout	Nominal	Tolerance	
0.25	1/4	0.2506	0.2500
0.38	3/8	0.3756	0.3750
0.50	1/2	0.5007	0.5000
0.63	5/8	0.6257	0.6250
0.75	3/4	0.7508	0.7500
1.00	1"	1.0008	1.0000
1.50	1-1/2	1.5010	1.5000

Days to Ship **1** Day

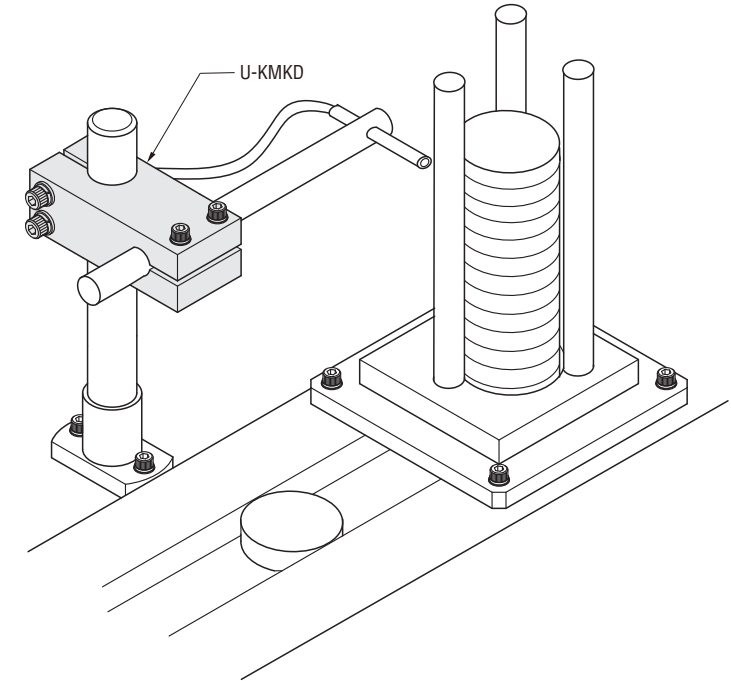
Price

Quantity Discount Rate				
Quantity	1	2-4	5-19	20~
Rate	-	2%	3%	5%

For larger quantity orders "Days to Ship" may differ from published catalog term. P.29

D	\$ Unit Price			
	U-KMKD	U-MMKD	U-AMKD	U-SMKD
0.38	18.60	20.50	20.50	28.10
0.50	21.80	24.20	24.20	33.00
0.63	25.90	28.80	28.80	39.20
0.75	31.20	34.60	34.60	49.60
1.00	37.80	41.90	41.90	67.70
1.50	58.10	64.20	64.20	115.10

Example



- Contents
- How to Use the Catalog
- Linear Motion
- Linear Shafts
- Bushings
- Shaft Supports
- Shaft Collars
- Linear Guides
- Rotary Motion
- Rotary Shafts
- Bearings w/ Housings
- Pulleys Belts Couplings
- Locating Components
- Locating Pins & Bushings
- Locating Components
- General Components
- Pivot Pins Floating Joints
- Posts Device Stands Strut Clamps
- Angle Plates Gussets Welded Stands
- Washers Collars
- Manifolds
- Urethanes Rubbers
- Plates
- Misc.
- Technical Data
- Business Information
- Index