


Strut Clamps –Perpendicular Configuration, Same Diameter Shaft Holes–

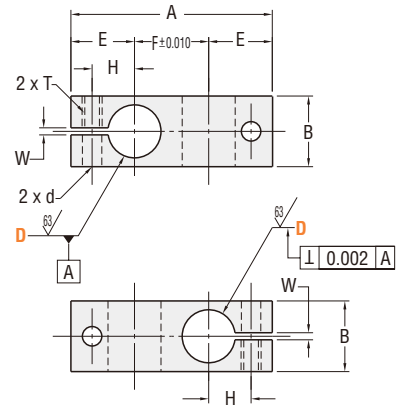
 This type of Clamp is designed to join two shafts of the same size at a 90 degree angle. Available in low carbon 1018 steel, 6061-T6 aluminum and 304 Stainless Steel. Smaller sizes have only one clamping bolt, while the large sizes have two. Clamping hardware included.



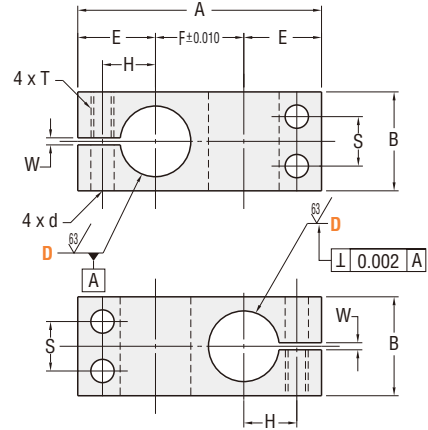
Material	Surface Treatment	Included Hardware	Type
1018 Steel	Black Oxide	S.H.C.S.	U-KDST
	Electroless Nickel Plating		U-MDKT
6061-T6 Aluminum	Clear Anodizing		U-ALWD
	Black Anodizing		U-ALKD
304 Stainless Steel	-		U-SLKD

Material Characteristics  P.628, 629

D0.25~0.50



D0.63~1.00



General Tolerance
Unless otherwise specified use the table below.

From	To	Tolerance
0.000	5.000	±0.01
5.001	16.000	±0.02
16.001	60.000	±0.05

Thread or hole location tolerance: ±0.005 non-cumulative.

Surface Roughness: Unless otherwise specified $250\sqrt{\text{ }}$

Type	Part No.				A	B	E	F	H	S	T (Thread)		d	W	
	D		Callout	Nominal							Tolerance	Size			Major Dia.
	Callout	Nominal													
U-KDST U-MDKT U-ALWD U-ALKD U-SLKD	0.25	1/4	0.2506	0.2500	1.31	0.438	0.469	0.375	0.313	-	#8-32	0.164	0.180	0.078	
	0.38	3/8	0.3756	0.3750	1.75	0.563	0.563	0.625	0.344	-	#10-32	0.190	0.206	0.078	
	0.50	1/2	0.5007	0.5000	2.00	0.750	0.625	0.750	0.406	-	#10-32	0.190	0.206	0.078	
	0.63	5/8	0.6257	0.6250	2.38	0.938	0.750	0.875	0.500	0.438	#10-32	0.190	0.206	0.078	
	0.75	3/4	0.7508	0.7500	2.75	1.125	0.875	1.000	0.594	0.563	1/4-20	0.250	0.281	0.078	
1.00	1"	1.0008	1.0000	3.38	1.375	1.000	1.375	0.719	0.750	1/4-20	0.250	0.281	0.078		

 Order Example

The part number consists only of the fields with blue characters.

Part No.

Type D

U-KDST 0.25

D tolerance and perpendicularity are verified before the slit machining process. Due to possible internal spring force this product may require higher clamping torque.

 Days to Ship

1 Day

 Price

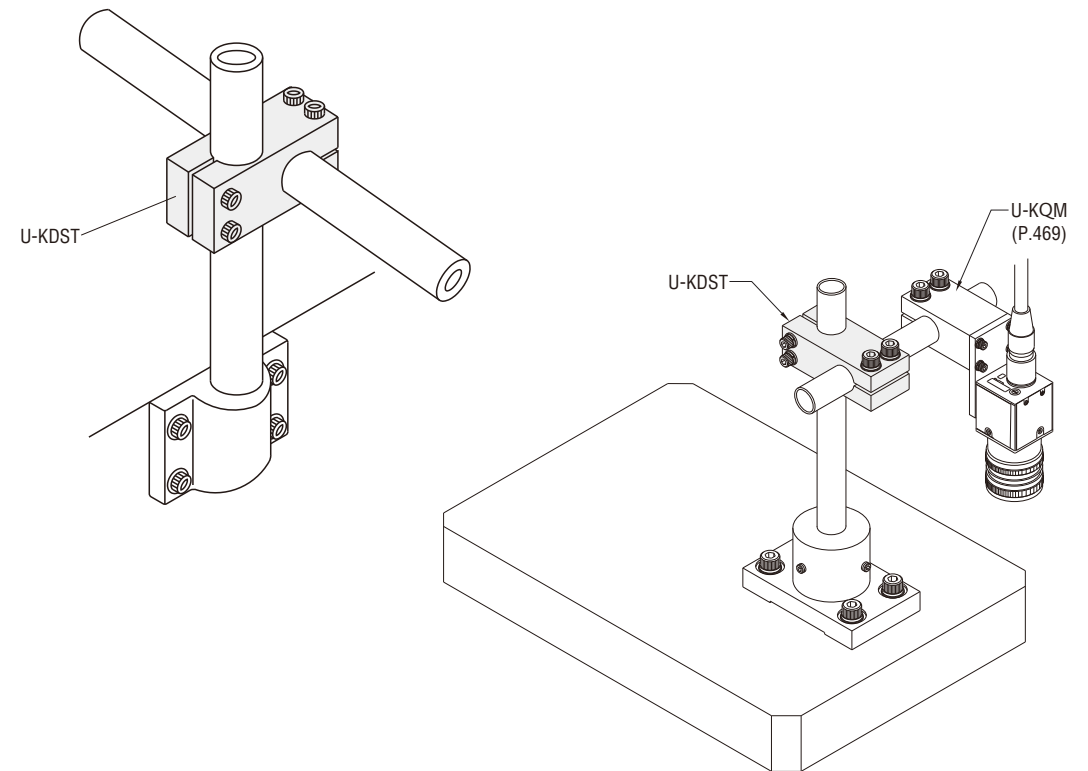
Quantity Discount Rate

Quantity	1	2-4	5-19	20~
Rate	-	2%	3%	5%

For larger quantity orders 'Days to Ship' may differ from published catalog term. P.29

D	\$ Unit Price				
	U-KDST	U-MDKT	U-ALWD	U-ALKD	U-SLKD
0.25	18.10	20.20	20.20	20.20	27.60
0.38	18.60	20.50	20.50	20.50	28.10
0.50	21.80	24.20	24.20	24.20	33.00
0.63	25.90	28.80	28.80	28.80	39.20
0.75	31.20	34.60	34.60	34.60	47.00
1.00	37.80	41.90	41.90	41.90	57.00

 Example



Device Stands
P.441



Struts
P.451



Strut Clamps
(Arm Type)
P.471

