


# Device Stands – Square Brackets–



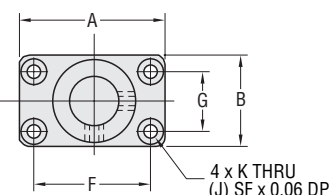
The Device Stand Brackets are made out of black oxidized cast iron and the Struts are either 1045 carbon steel or 304 stainless steel. Choose from solid or hollow struts. You can specify the strut length in 0.25" increments. The Struts are grooved at the height of the set screw in order to prevent surface damage.



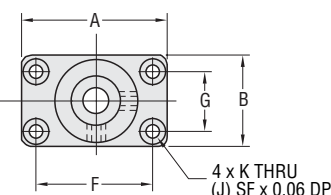
Struts		Brackets		Type	
Material	Surface Treatment	Material	Surface Treatment	Solid Struts	Hollow Struts
1045 Steel Equivalent	-	Alloy Cast Iron Class No. 35	Black Oxide	U-ASTNA	U-ASTAA
	Electroless Nickel Plating			U-MASTN	U-MASTA
304 Stainless Steel	-			U-SASTN	U-SASTA

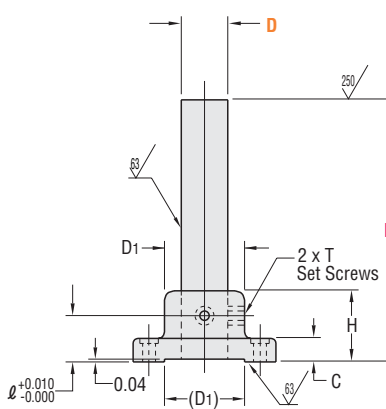
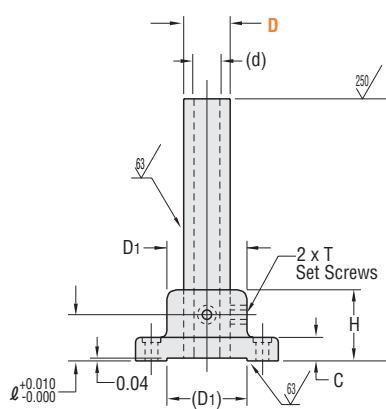
Material Characteristics **P.628, 629**  
 \*There may be no electroless nickel plating at ends and grooves of posts.  
 \*There may be center-drilled holes on both ends.  
 \*Included Hardware: Set screws

**Solid Struts**



**Hollow Struts**



General Tolerance  
 Unless otherwise specified use the table below.

From	To	Tolerance
0.000	5.000	±0.01
5.001	16.000	±0.02
16.001	60.000	±0.05

⚠ Thread or hole location tolerance: ±0.005" non-cumulative.

⚠ These products are complete sets. For Struts, or Brackets only, refer to P.449 and P.451. ⚠ Surface Roughness: Unless otherwise specified ✓

Type	Part No.			L Choose in 0.25" Increments	A	B	F	G	D <sub>1</sub>	H	C	ℓ	K	(J)	T	(d)		
	D		Tolerance															
	Callout	Nominal																
Solid Struts	Hollow Struts	<b>0.38</b>	3/8	0.3748	0.3744	<b>2.00 ~ 10.00</b>	2.205	1.181	1.625	0.625	1.024	1.378	0.472	0.875	0.206	0.375	#6-32	0.236
<b>U-ASTNA</b>	<b>U-ASTAA</b>	<b>0.50</b>	1/2	0.4998	0.4994	<b>2.00 ~ 12.00</b>	2.441	1.417	1.750	0.750	1.102	1.378	0.472	0.875	0.281	0.438	#8-32	0.236
<b>U-MASTN</b>	<b>U-MASTA</b>	<b>0.63</b>	5/8	0.6248	0.6244	<b>3.00 ~ 14.00</b>	2.756	1.575	2.000	0.813	1.220	1.575	0.472	1.000	0.281	0.438	#10-32	0.394
<b>U-SASTN</b>	<b>U-SASTA</b>	<b>0.75</b>	3/4	0.7497	0.7492	<b>3.00 ~ 16.00</b>	3.150	1.969	2.375	1.188	1.575	1.772	0.472	1.125	0.281	0.438	#10-32	0.461
		<b>1.00</b>	1"	0.9997	0.9992	<b>3.00 ~ 18.00</b>	3.937	2.362	3.000	1.500	1.772	1.969	0.472	1.250	0.344	0.531	1/4-20	0.598

Order Example ⚠ The part number consists only of the fields with blue characters.

Part No. — **L**

Type **D**

**U-ASTNA 0.50 — L 10.00**



**Standard** 6 Days  
 Express 4 Days (Specify Express **A**) \$ 8.00/piece **P.30**  
 ⚠ Non-Returnable **P.30** ⚠ A flat charge of \$21.60 for 3 or more identical pieces.

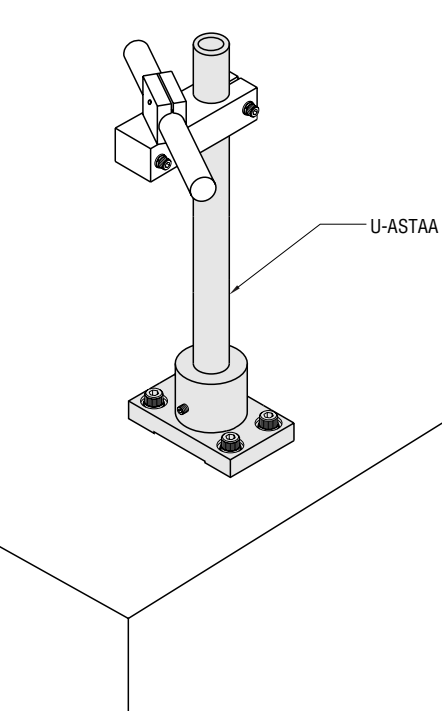


**Quantity Discount Rate**

Quantity	1-4	5-9	10-19	20~
Rate	—	5%	10%	15%

⚠ For larger quantity orders "Days to Ship" may differ from published catalog term. **P.29**

D	L	\$ Unit Price (Qty. 1-4)					
		Solid Struts			Hollow Struts		
		U-ASTNA	U-MASTN	U-SASTN	U-ASTAA	U-MASTA	U-SASTA
0.38	2.00 ~ 6.00	24.30	24.70	24.90	29.10	29.50	29.60
	6.25 ~ 10.00	30.30	30.90	31.00	36.20	36.80	36.90
0.50	2.00 ~ 6.00	25.00	25.40	27.30	29.80	30.30	33.10
	6.25 ~ 12.00	31.30	31.80	34.10	37.30	38.00	41.20
0.63	3.00 ~ 8.00	26.10	26.60	31.90	30.50	31.00	38.60
	8.25 ~ 14.00	32.60	33.10	39.90	38.20	38.90	48.20
0.75	3.00 ~ 8.00	28.70	29.20	39.60	32.00	32.50	48.40
	8.25 ~ 16.00	35.90	36.50	49.40	40.10	40.80	60.40
1.00	3.00 ~ 8.00	34.30	35.00	52.90	39.20	39.80	64.70
	8.25 ~ 18.00	43.10	43.80	66.00	48.80	49.70	80.90



Contents

How to Use the Catalog

Linear Motion

Linear Shafts

Bushings

Shaft Supports  
Shaft Collars

Linear Guides

Rotary Motion

Rotary Shafts

Bearings w/  
Housings

Pulleys  
Belts  
Couplings

Locating Components

Locating Pins & Bushings

Locating Components

General Components

Pivot Pins  
Floating Joints

Posts  
Device Stands  
Strut Clamps

Angle Plates  
Gussets  
Welded Stands

Washers  
Collars

Manifolds

Urethanes  
Rubbers

Plates

Misc.

Technical Data

Business Information

Index