


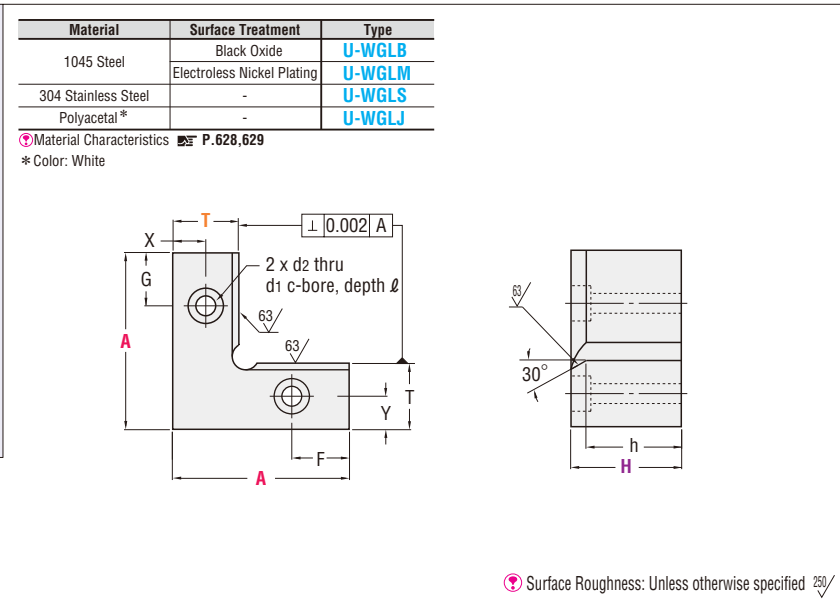
# Guides –Corner Guides–

These Guides are generally used to secure parts for work station applications. Choose from 1045 steel, 304 stainless steel or polyacetal materials.



Material	Surface Treatment	Type
1045 Steel	Black Oxide	U-WGLB
	Electroless Nickel Plating	U-WGLM
304 Stainless Steel	-	U-WGLS
Polyacetal*	-	U-WGLJ

Material Characteristics: P.628,629  
\*Color: White



General Tolerance  
Unless otherwise specified use the table below.

From	To	Tolerance
0.000	5.000	±0.01
5.001	16.000	±0.02
16.001	60.000	±0.05

Thread or hole location tolerance: ±0.005' non-cumulative. Surface Roughness: Unless otherwise specified.

Part No.	Type	T		A Selection						H Choose in		h	F	G	X	Y	d1	d2	l	Compatible Bolt
		Callout	Actual	3/4	1"	1-1/4	1-1/2	2"	2-1/2	0.25" Increments	0.25" Increments									
U-WGLB	0.50	0.500	0.75	1.00	1.25	1.50					0.75~1.25	H-0.25	0.188	0.188	0.188	0.188	0.313	0.180	0.180	#8
U-WGLM	0.75	0.750	1.00	1.25	1.50	2.00					0.75~1.25	H-0.25	0.250	0.250	0.250	0.250	0.375	0.206	0.206	#10
U-WGLS	1.00	1.000	1.25	1.50	2.00	2.50					0.75~1.25	H-0.25	0.375	0.375	0.313	0.313	0.438	0.281	0.281	1/4
U-WGLJ	1.25	1.250	1.50	2.00	2.50						0.75~1.25	H-0.25	0.500	0.500	0.375	0.375	0.531	0.344	0.344	5/16

Order Example The part number consists only of the fields with blue characters.

Part No. — A — H  
Type — T  
U-WGLB 0.50 — A 1.25 — H 1.00

Days to Ship: Standard 6 Days, Express 4 Days (Specify Express A) \$3.00/piece P.30. Example U-WGLJ. A flat charge of \$8.10 for 3 or more identical pieces.

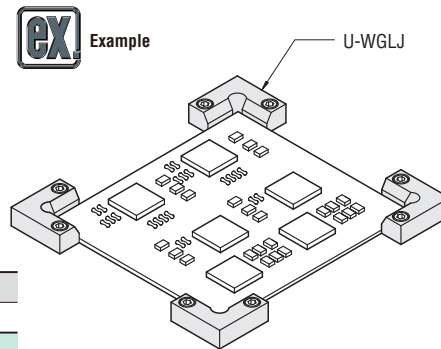
Price

Quantity Discount Rate

Quantity	Rate
1-4	—
5-19	5%
20-49	10%
50~	15%


For larger quantity orders 'Days to Ship' may differ from published catalog term. P.29

T	\$ Unit Price (Qty. 1~4)			
	U-WGLB	U-WGLM	U-WGLS	U-WGLJ
0.50	21.00	25.00	31.40	16.30
0.75	24.90	29.80	37.30	19.40
1.00	25.70	30.90	38.50	20.10
1.25	27.30	33.00	41.20	21.40



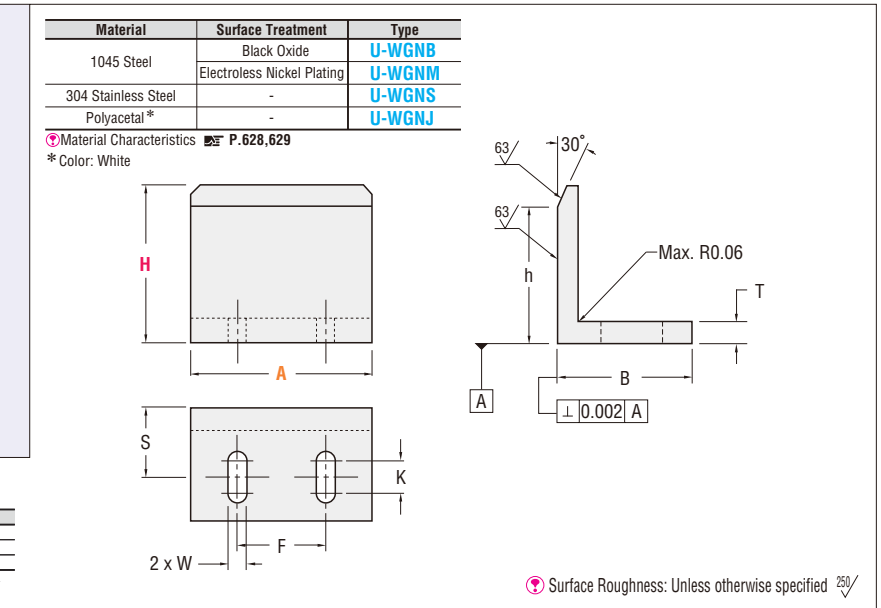
# Guides –Angle Guides–

These Guides are generally used to secure parts for work station applications. Choose from 1045 steel, 304 stainless steel or polyacetal materials.



Material	Surface Treatment	Type
1045 Steel	Black Oxide	U-WGNB
	Electroless Nickel Plating	U-WGNM
304 Stainless Steel	-	U-WGNS
Polyacetal*	-	U-WGNJ

Material Characteristics: P.628,629  
\*Color: White



General Tolerance  
Unless otherwise specified use the table below.

From	To	Tolerance
0.000	5.000	±0.01
5.001	16.000	±0.02
16.001	60.000	±0.05

Thread or hole location tolerance: ±0.005' non-cumulative. Surface Roughness: Unless otherwise specified.

Part No.	Type	A		H Selection						T	h	F	B	S	W	K	Compatible Bolt
		0.75	1.00	1.25	1.50	2.00	2.50	3/4	1"								
U-WGNB	0.75	0.75	1.00	1.25	1.50					0.31	H-0.25	0.375	1.125	0.750	0.154	0.375	#6
U-WGNM	1.00	1.00	1.25	1.50	2.00					0.38	H-0.25	0.625	1.500	1.000	0.154	0.375	#6
U-WGNS	1.25		1.25	1.50	2.00	2.50				0.38	H-0.25	0.750	1.500	1.000	0.180	0.375	#8
U-WGNJ	1.50			1.50	2.00	2.50				0.50	H-0.25	1.000	2.000	1.250	0.206	0.625	#10
	2.00			1.50	2.00	2.50				0.50	H-0.25	1.500	2.000	1.250	0.206	0.625	#10

Order Example The part number consists only of the fields with blue characters.

Part No. — H  
Type — A  
U-WGNB 0.75 — H 1.00

Days to Ship: Standard 6 Days, Express 4 Days (Specify Express A) \$3.00/piece P.30. Example U-WGNJ. A flat charge of \$8.10 for 3 or more identical pieces.

Price

Quantity Discount Rate

Quantity	Rate
1-4	—
5-19	5%
20-49	10%
50~	15%

For larger quantity orders 'Days to Ship' may differ from published catalog term. P.29

A	\$ Unit Price (Qty. 1~4)			
	U-WGNB	U-WGNM	U-WGNS	U-WGNJ
0.75	25.70	30.30	36.70	16.40
1.00	28.40	36.70	46.40	19.40
1.25	36.70	41.50	53.90	23.50
1.50	41.50	46.40	63.90	26.60
2.00	46.40	52.80	72.40	29.60

