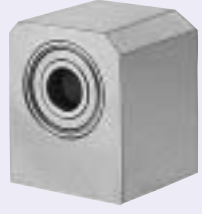
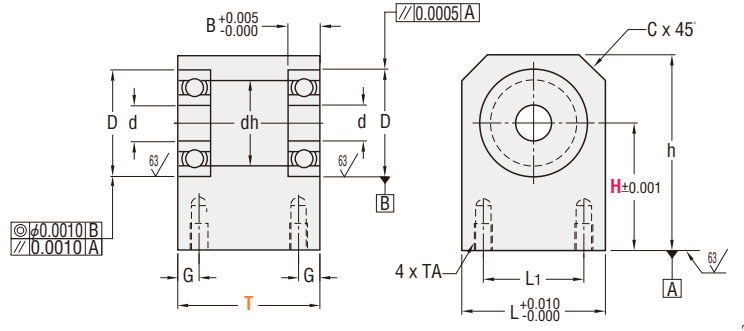


# Bearings with Housings –Bottom Mount Double Bearings–



Material	Surface Treatment	Type
1045 Steel	Electroless Nickel Plating	U-BGBW
2017 Aluminum	Clear Anodizing	U-BGBWA
304 Stainless Steel	—	U-BGBWS

Bearing Tolerance: ABEC-1 ANSI/ABMA 20-1987 P.274



General Tolerance  
Unless otherwise specified use the table below.

From	To	Tolerance
0.000	5.000	±0.01
5.001	16.000	±0.02
16.001	60.000	±0.05

Ⓜ Thread or hole location tolerance: ±0.005" non-cumulative.

Ⓜ Surface Roughness: Unless otherwise specified 250

Part No.	Type	Bearing No.	T Selection				H Selection					
			1"	1-1/4	1-1/2	2"	2-1/2	1"	1-1/4	1-1/2	2"	2-1/2
U-BGBW U-BGBWA U-BGBWS		6000ZZ	1.00		1.50			1.00	1.25	1.50		
		6001ZZ	1.00		1.50			1.00	1.25	1.50		
		6002ZZ		1.25		2.00			1.25	1.50	2.00	
		6003ZZ		1.25		2.00			1.25	1.50	2.00	
		6004ZZ			1.50		2.00			1.50	2.00	2.50
		6005ZZ			1.50		2.50			1.50	2.00	2.50

Order Example Ⓜ The part number consists only of the fields with blue characters. Ⓜ Please refer to the table below for technical information.

Part No. — T — H

Type Bearing No.

U-BGBW 6000ZZ — T 1.50 — H 1.50

## Technical Information

Bearing No.	d		D (H7)			B		dh	h	L	L1	C	G	TA (Thread)		Compatible Bolt
	mm	Inch	mm	Inch	Tolerance(in)	mm	Inch							Size	Depth	
6000ZZ	10	0.3937	26	1.0236	1.0244 1.0236	8	0.315	0.866	H+0.625	1.500	1.125	0.375	0.250	#10-32	0.285	#10
6001ZZ	12	0.4724	28	1.1024	1.1032 1.1024	8	0.315	0.945	H+0.688	1.625	1.125	0.375	0.250	#10-32	0.285	#10
6002ZZ	15	0.5906	32	1.2598	1.2608 1.2598	9	0.354	1.102	H+0.750	2.000	1.375	0.375	0.313	1/4-20	0.375	1/4
6003ZZ	17	0.6693	35	1.3780	1.3790 1.3780	10	0.394	1.220	H+0.813	2.000	1.375	0.375	0.313	1/4-20	0.375	1/4
6004ZZ	20	0.7874	42	1.6535	1.6545 1.6535	12	0.472	1.417	H+1.000	2.125	1.500	0.375	0.500	5/16-18	0.469	5/16
6005ZZ	25	0.9843	47	1.8504	1.8514 1.8504	12	0.472	1.614	H+1.125	2.375	1.625	0.375	0.500	5/16-18	0.469	5/16

Ⓜ The D (H7) is a standard fit representing clearance fit tolerance. P.608

Days to Ship **1** Day

Price

Quantity	Quantity Discount Rate			
	1-4	5-9	10-19	20-
Rate	—	2%	3%	5%

Ⓜ For larger quantity orders "Days to Ship" may differ from published catalog term. P.29

Bearing No.	\$ Unit Price (Qty. 1-4)		
	U-BGBW	U-BGBWA	U-BGBWS
6000ZZ	64.30	58.90	98.20
6001ZZ	67.40	61.70	102.90
6002ZZ	72.90	66.20	114.80
6003ZZ	75.00	68.60	127.10
6004ZZ	79.90	71.90	134.50
6005ZZ	82.50	75.60	142.40

Example

