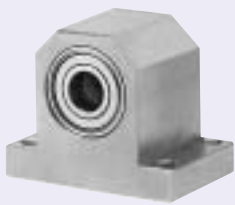


# Bearings with Housings –T-Shaped Base Mount Double Bearings–



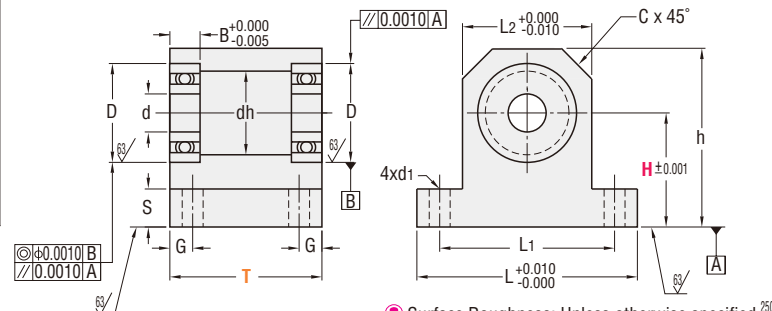
The following sections contain our Base Mount Type Bearing Units. These units can free-stand on flat surfaces to provide raised shaft supporting structure. Choose the housing material from steel, stainless steel and aluminum. The stainless steel housings are supplied with all-stainless radial bearings.



Material	Surface Treatment	Type
1045 Steel	Electroless Nickel Plating	U-BGHW
2017 Aluminum	Clear Anodizing	U-BGHWA
304 Stainless Steel	—	U-BGHS

Bearing Tolerance: ABEC-1 ANSI/ABMA20-1987 P.274

Material Characteristics P.628, 629



Surface Roughness: Unless otherwise specified

From	To	Tolerance
0.000	5.000	±0.01
5.001	16.000	±0.02
16.001	60.000	±0.05

Thread or hole location tolerance: ±0.005\* non-cumulative.

Part No.	Type	Bearing No.	T Selection					H Selection					
			1"	1-1/4	1-1/2	2"	2-1/2	3/4	1"	1-1/4	1-1/2	2"	2-1/2
U-BGHW U-BGHWA U-BGHS		6000ZZ	1.00		1.50			0.75		1.25	1.50		
		6001ZZ	1.00		1.50			1.00	1.25	1.50			
		6002ZZ		1.25		2.00			1.25	1.50	2.00		
		6003ZZ		1.25		2.00			1.25	1.50	2.00		
		6004ZZ			1.50	2.00				1.50	2.00	2.50	
		6005ZZ			1.50		2.50			1.50	2.00	2.50	

**Order Example** The part number consists only of the fields with blue characters. Please refer to the table below for technical information.

Part No. — T — H

Type Bearing No.

U-BGHW 6000ZZ — T 1.00 — H 1.50

## Technical Information

Bearing No.	d		D (H7)		B		dh	h	L	L1	L2	C	G	S	d1	Compatible Bolt
	mm	Inch	mm	Inch	mm	Inch										
6000ZZ	10	0.3937	26	1.0236	8	0.315	0.866	H+0.625	2.063	1.625	1.188	0.375	0.250	0.38	0.206	#10
6001ZZ	12	0.4724	28	1.1024	8	0.315	0.945	H+0.688	2.375	1.875	1.375	0.375	0.250	0.38	0.206	#10
6002ZZ	15	0.5906	32	1.2598	9	0.354	1.102	H+0.750	2.625	2.125	1.500	0.375	0.313	0.50	0.281	1/4
6003ZZ	17	0.6693	35	1.3780	10	0.394	1.220	H+0.813	2.813	2.250	1.688	0.375	0.313	0.50	0.281	1/4
6004ZZ	20	0.7874	42	1.6535	12	0.472	1.417	H+1.000	3.250	2.625	1.938	0.500	0.375	0.63	0.344	5/16
6005ZZ	25	0.9843	47	1.8504	12	0.472	1.614	H+1.125	3.500	2.875	2.188	0.500	0.375	0.63	0.344	5/16

The D (H7) is a standard fit representing clearance fit tolerance. P.608



Days to Ship **1** Day



Price

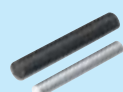
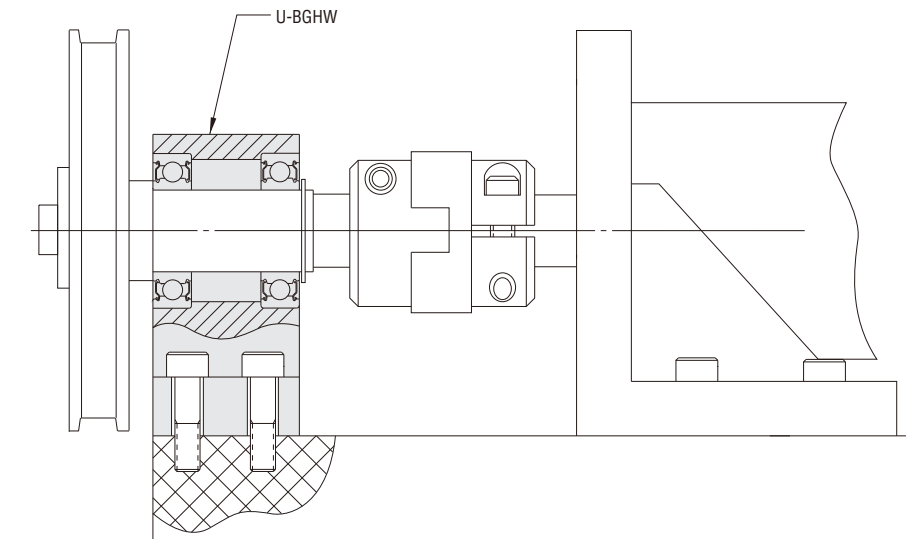
Quantity	1-4	5-9	10-19	20~
Rate	—	2%	3%	5%

For larger quantity orders "Days to Ship" may differ from published catalog term. P.29

Bearing No.	\$ Unit Price (Qty. 1-4)		
	U-BGHW	U-BGHWA	U-BGHS
6000ZZ	90.50	81.50	146.60
6001ZZ	95.70	86.00	154.50
6002ZZ	104.60	93.20	173.90
6003ZZ	107.00	96.20	196.10
6004ZZ	113.70	102.30	207.00
6005ZZ	121.80	-	-



Example



Rotary Shafts P.205



Bearing Locknuts P.275



Bearing Spacers P.277

