

Shaft Supports –"L" Shape–



The "L" Shape Shaft Supports are available in nickel plated carbon steel, 304 stainless steel and clear anodized aluminum. It is a compact design and you can choose from various shaft sizes and a variety of mounting heights.



□: New Price

Split



General Tolerance
Unless otherwise specified use the table below.

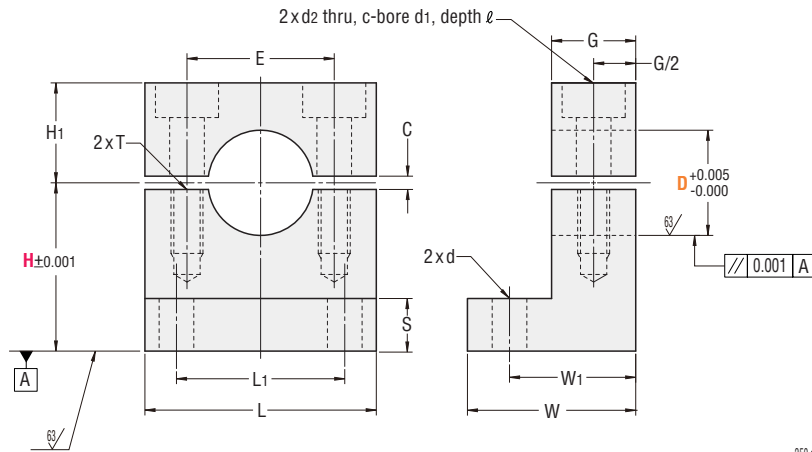
From	To	Tolerance
0.000	5.000	±0.01
5.001	16.000	±0.02
16.001	60.000	±0.05

⊕ Thread or hole location tolerance: ±0.005' non-cumulative.

Material	Surface Treatment	Included Hardware & Material	Type
1045 Steel	Electroless Nickel Plating	Stainless Steel S.H.C.S. (2 Pieces)	U-SHKPM
304 Stainless Steel	-		U-SHKPS
6061-T6 Aluminum	Clear Anodizing		U-SHKPA

⊕ Material Characteristics **P.628, 629**

⊕ The slit is manufactured after the hole D is bored at indicated tolerance. The tolerance may vary slightly depending on the machining condition.



⊕ Surface Roughness: Unless otherwise specified $R_{a} 250$

Type	Part No.			H						\$ Unit Price (Qty. 1-4)			
	Callout	Nominal	Tolerance	3/4	1"	1-1/4	1-1/2	1-3/4	2"	2-1/2	U-SHKPM	U-SHKPS	U-SHKPA
U-SHKPM U-SHKPS U-SHKPA	0.38	3/8	0.3756 0.3750	0.75	1.00						33.90	51.10	30.80
	0.50	1/2	0.5007 0.5000	0.75	1.00						39.80	56.60	36.70
	0.63	5/8	0.6257 0.6250			1.00	1.25				47.50	64.50	43.70
	0.75	3/4	0.7508 0.7500				1.25	1.50			54.30	82.90	51.40
	1.00	1"	1.0008 1.0000					1.50	1.75		63.30	133.10	59.70
	1.50	1-1/2	1.5010 1.5000						2.00	2.50	86.10	150.90	75.10

Order Example

Part No. **H**
Type **D**
U-SHKPM 0.50 – H 1.00

Technical Information

H	H			D	L	H1	G	S	W	W1	L1	d		E	T (Thread)			d2	d1	ℓ	C
	Callout	Nominal	Actual									Compatible Bolt	Size		Major Dia.	Depth					
	0.75	3/4	0.750									Di.									
1.00	1"	1.000	#6	0.658	#6-32	0.138	0.276	0.154	0.281	0.154	0.079										
1.25	1-1/4	1.250	#8	0.781	#8-32	0.164	0.328	0.180	0.313	0.180	0.079										
1.50	1-1/2	1.500	#10	0.875	#10-32	0.190	0.380	0.206	0.375	0.206	0.079										
1.75	1-3/4	1.750	#10	1.063	#10-32	0.190	0.380	0.206	0.375	0.206	0.079										
2.00	2"	2.000	1/4	1.438	1/4-20	0.250	0.500	0.281	0.438	0.281	0.079										
2.50	2-1/2	2.500	5/16	2.125	5/16-18	0.313	0.626	0.344	0.531	0.344	0.118										

Days to Ship **1** Day

ex Example

Price **Quantity Discount Rate**

Quantity	1-4	5-19	20-49	50~
Rate	—	2%	3%	5%

⊕ For larger quantity orders "Days to Ship" may differ from published catalog term. **P.29**

