


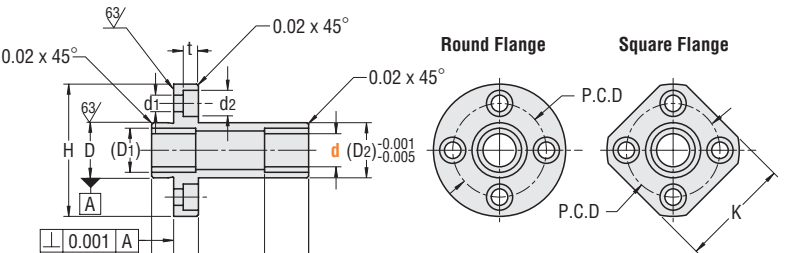
# Flanged Bushings (Simplicity® Liner) –With Pilot, Long–

The Flanged Bushings are available in 6061-T6 anodized aluminum and lined with Pacific Bearing® Frelon Gold® Linear. Choose from a variety of flange configurations. The pilot feature allows you to precisely mount the bushing inside the carriage block and extend the sliding area. The bushings can be used in linear, rotary, and oscillating applications. They should not be used with chrome plated shafts.



Housing		Liner	Flange	Type
6061-T6 Aluminum	Clear Anodizing	Frelon Gold® (see P.645)	Round	U-PFPLR
			Square	U-PFPLS

Material Characteristics P.629



General Tolerance  
Unless otherwise specified use the table below.

From	To	Tolerance
0.000	5.000	±0.01
5.001	16.000	±0.02
16.001	60.000	±0.05

Thread or hole location tolerance: ±0.005\* non-cumulative.

- Housing and liner are bonded with adhesive.
- This product is not compatible with chrome plated shafts.
- Surface Roughness: Unless otherwise specified 250

Type	Part No.			D		L		\$ Unit Price (Qty. 1-9)	
	Callout	Nominal	Tolerance	Nominal	Tolerance	Length	Tol.	U-PFPLR	U-PFPLS
U-PFPLR U-PFPLS	0.25	1/4	0.2525 0.2515	1/2	0.5000 0.4993	1.250	±0.005	42.40	46.70
	0.38	3/8	0.3775 0.3765	5/8	0.6250 0.6243	1.781	±0.005	49.20	54.60
	0.50	1/2	0.5025 0.5015	7/8	0.8750 0.8742	2.375	±0.010	53.00	60.00
	0.63	5/8	0.6275 0.6265	1-1/8	1.1250 1.1242	2.813	±0.010	56.80	65.00
	0.75	3/4	0.7525 0.7515	1-1/4	1.2500 1.2490	3.094	±0.012	68.00	72.80
	1.00	1"	1.0025 1.0015	1-9/16	1.5625 1.5615	4.125	±0.012	100.90	107.20

Order Example The part number consists only of the fields with blue characters. Please refer to the table below for technical information.

Part No. 0.63

Type d

U-PFPLR 0.63

## Technical Information


d	L2	H	T	d1	d2	t	Compatible Bolt	P.C.D.	K	(D1)	(D2)	(L1)	Part Number of Liner
0.25	0.188	1.25	0.250	0.156	0.250	0.141	#6	0.875	1.000	0.375	0.500	0.500	U-PBPS0.25-L0.50
0.38	0.250	1.50	0.281	0.188	0.297	0.172	#8	1.063	1.250	0.500	0.625	0.500	U-PBPT0.38-L0.50
0.50	0.250	1.75	0.281	0.188	0.297	0.172	#8	1.313	1.375	0.688	0.875	0.750	U-PBPT0.50-L0.75
0.63	0.250	2.00	0.281	0.188	0.297	0.172	#8	1.563	1.500	0.875	1.125	1.000	U-PBPS0.63-L1.00
0.75	0.313	2.19	0.344	0.219	0.344	0.203	#10	1.719	1.688	1.000	1.250	1.000	U-PBPS0.75-L1.00
1.00	0.375	2.50	0.344	0.219	0.344	0.203	#10	2.031	2.000	1.250	1.563	1.500	U-PBPS1.00-L1.50

Days to Ship **1** Day

Price

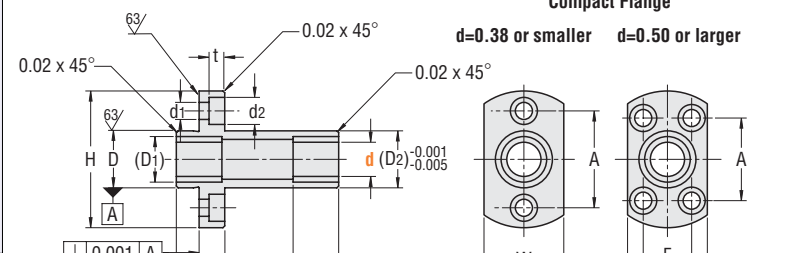
Quantity	1-9	10-19	20-49	50~
Rate	—	2%	3%	5%

For larger quantity orders "Days to Ship" may differ from published catalog term. P.29



Housing		Liner	Flange	Type
6061-T6 Aluminum	Clear Anodizing	Frelon Gold® (see P.645)	Compact	U-PFPLC

Material Characteristics P.629



General Tolerance  
Unless otherwise specified use the table below.

From	To	Tolerance
0.000	5.000	±0.01
5.001	16.000	±0.02
16.001	60.000	±0.05

Thread or hole location tolerance: ±0.005\* non-cumulative.

- Housing and liner are bonded with adhesive.
- This product is not compatible with chrome plated shafts.
- Surface Roughness: Unless otherwise specified 250

Type	Part No.			D		L		\$ Unit Price (Qty. 1-9)	
	Callout	Nominal	Tolerance	Nominal	Tolerance	Length	Tol.	U-PFPLC	
U-PFPLC	0.25	1/4	0.2525 0.2515	1/2	0.5000 0.4993	1.250	±0.005	44.60	
	0.38	3/8	0.3775 0.3765	5/8	0.6250 0.6243	1.781	±0.005	52.20	
	0.50	1/2	0.5025 0.5015	7/8	0.8750 0.8742	2.375	±0.010	57.10	
	0.63	5/8	0.6275 0.6265	1-1/8	1.1250 1.1242	2.813	±0.010	63.00	
	0.75	3/4	0.7525 0.7515	1-1/4	1.2500 1.2490	3.094	±0.012	70.80	
	1.00	1"	1.0025 1.0015	1-9/16	1.5625 1.5615	4.125	±0.012	105.00	

Order Example The part number consists only of the fields with blue characters. Please refer to the table below for technical information.

Part No. 0.75

Type d

U-PFPLC 0.75

## Technical Information

d	L2	H	T	d1	d2	t	Compatible Bolt	P.C.D.	W	F	A	(D1)	(D2)	(L1)	Part Number of Liner
0.25	0.188	1.25	0.250	0.156	0.250	0.141	#6	0.875	0.750	-	0.875	0.375	0.500	0.500	U-PBPS0.25-L0.50
0.38	0.250	1.50	0.281	0.188	0.297	0.172	#8	1.063	0.875	-	1.063	0.500	0.625	0.500	U-PBPT0.38-L0.50
0.50	0.250	1.75	0.281	0.188	0.297	0.172	#8	1.313	1.125	0.688	1.125	0.688	0.875	0.750	U-PBPT0.50-L0.75
0.63	0.250	2.00	0.281	0.188	0.297	0.172	#8	1.563	1.375	0.938	1.250	0.875	1.125	1.000	U-PBPS0.63-L1.00
0.75	0.313	2.19	0.344	0.219	0.344	0.203	#10	1.719	1.500	1.000	1.375	1.000	1.250	1.000	U-PBPS0.75-L1.00
1.00	0.375	2.50	0.344	0.219	0.344	0.203	#10	2.031	1.875	1.313	1.563	1.250	1.563	1.500	U-PBPS1.00-L1.50

Days to Ship **1** Day

Price

Quantity	1-9	10-19	20-49	50~
Rate	—	2%	3%	5%

For larger quantity orders "Days to Ship" may differ from published catalog term. P.29

Related Components



Linear Shafts P.39



Pacific Bearing® Feather Shafts® P.65

Express Options P.30

MISUMI  
www.misumiusa.com E-mail: inquire@misumiusa.com

TEL.1-847-843-9105 FAX.1-847-843-9107 TOLL FREE TEL.1-800-681-7475 TOLL FREE FAX.1-800-681-7402

Contents

How to Use the Catalog

Linear Motion

Linear Shafts

Bushings

Shaft Supports

Shaft Collars

Linear Guides

Rotary Motion

Rotary Shafts

Bearings w/ Housings

Pulleys Belts Couplings

Locating Components

Locating Pins & Bushings

Locating Components

General Components

Pivot Pins

Floating Joints

Posts

Device Stands

Strut Clamps

Angle Plates

Gussets

Welded Stands

Washers

Collars

Manifolds

Urethanes

Rubbers

Plates

Misc.

Technical Data

Business Information

Index