


# Flanged Bushings (Simplicity® Liner) –With Pilot, Short–



The Flanged Bushings are available in 6061-T6 anodized aluminum and lined with Pacific Bearing® Frelon Gold® Liner. Choose from a variety of flange configurations. The pilot feature allows you to precisely mount the bushing inside the carriage block and extend the sliding area. The bushings can be used in linear, rotary, and oscillating applications. They should not be used with chrome plated shafts.

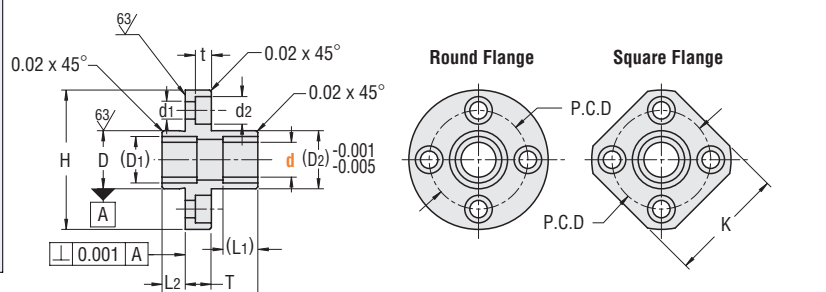


□: New Price



Housing		Liner	Flange	Type
Material	Surface Treatment	Frelon Gold® (see P.645)	Round	U-PFPR
6061-T6 Aluminum	Clear Anodizing		Square	U-PFPS

Material Characteristics P.629



General Tolerance  
Unless otherwise specified use the table below.

From	To	Tolerance
0.000	5.000	±0.01
5.001	16.000	±0.02
16.001	60.000	±0.05

Thread or hole location tolerance: ±0.005' non-cumulative.

- Housing and liner are bonded with adhesive.
- This product is not compatible with chrome plated shafts.
- Surface Roughness: Unless otherwise specified 250

Type	Part No.			D		L		\$ Unit Price (Qty. 1-9)	
	Callout	Nominal	Tolerance	Nominal	Tolerance	Length	Tol.	U-PFPR	U-PFPS
U-PFPR U-PFPS	0.25	1/4	0.2525 0.2515	1/2	0.5000 0.4993	0.750	±0.005	33.10	36.50
	0.38	3/8	0.3775 0.3765	5/8	0.6250 0.6243	1.031	±0.005	38.50	42.90
	0.50	1/2	0.5025 0.5015	7/8	0.8750 0.8742	1.313	±0.010	41.50	46.80
	0.63	5/8	0.6275 0.6265	1-1/8	1.1250 1.1242	1.625	±0.010	49.50	56.80
	0.75	3/4	0.7525 0.7515	1-1/4	1.2500 1.2490	1.750	±0.012	65.90	70.40
	1.00	1"	1.0025 1.0015	1-9/16	1.5625 1.5615	2.250	±0.012	98.00	103.60

### Order Example

Part No.

Type  d

U-PFPR 0.63

The part number consists only of the fields with blue characters. Please refer to the table below for technical information.

### Technical Information

d	L2	H	T	d1	d2	t	Compatible Bolt	P.C.D.	K	(D1)	(D2)	(L1)	Part Number of Liner
0.25	0.188	1.25	0.250	0.156	0.250	0.141	#6	0.875	1.000	0.375	0.500	0.250	U-PBPS0.25-L0.25
0.38	0.250	1.50	0.281	0.188	0.297	0.172	#8	1.063	1.250	0.500	0.625	0.375	U-PBPT0.38-L0.38
0.50	0.250	1.75	0.281	0.188	0.297	0.172	#8	1.313	1.375	0.688	0.875	0.500	U-PBPT0.50-L0.50
0.63	0.250	2.00	0.281	0.188	0.297	0.172	#8	1.563	1.500	0.875	1.125	0.750	U-PBPS0.63-L0.75
0.75	0.313	2.19	0.344	0.219	0.344	0.203	#10	1.719	1.688	0.938	1.250	0.750	U-PBPT0.75-L0.75
1.00	0.375	2.50	0.344	0.219	0.344	0.203	#10	2.031	2.000	1.188	1.563	1.000	U-PBPT1.00-L1.00



Days to Ship **1** Day

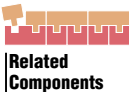


Price

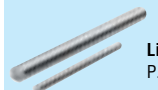
### Quantity Discount Rate

Quantity	1-9	10-19	20-49	50~
Rate	—	2%	3%	5%

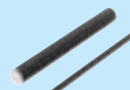
For larger quantity orders "Days to Ship" may differ from published catalog term. P.29




Related Components



Linear Shafts P.39

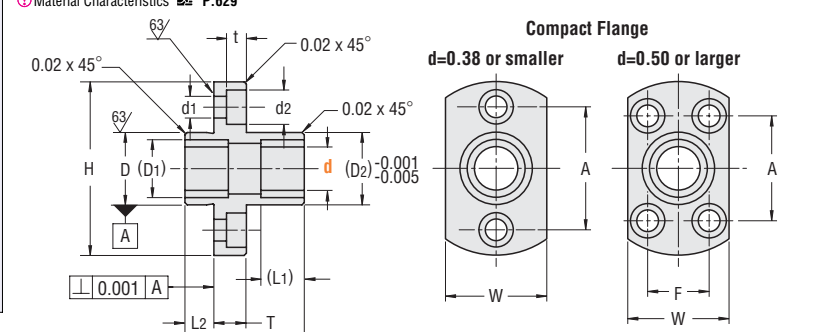


Pacific Bearing® Feather Shafts® P.65



Housing		Liner	Flange	Type
Material	Surface Treatment	Frelon Gold® (see P.645)	Compact	U-PFPC
6061-T6 Aluminum	Clear Anodizing			

Material Characteristics P.629



General Tolerance  
Unless otherwise specified use the table below.

From	To	Tolerance
0.000	5.000	±0.01
5.001	16.000	±0.02
16.001	60.000	±0.05

Thread or hole location tolerance: ±0.005' non-cumulative.

- Housing and liner are bonded with adhesive.
- This product is not compatible with chrome plated shafts.
- Surface Roughness: Unless otherwise specified 250

Type	Part No.			D		L		\$ Unit Price (Qty. 1-9)	
	Callout	Nominal	Tolerance	Nominal	Tolerance	Length	Tol.	U-PFPC	
U-PFPC	0.25	1/4	0.2525 0.2515	1/2	0.5000 0.4993	0.750	±0.005	35.30	
	0.38	3/8	0.3775 0.3765	5/8	0.6250 0.6243	1.031	±0.005	41.00	
	0.50	1/2	0.5025 0.5015	7/8	0.8750 0.8742	1.313	±0.010	44.80	
	0.63	5/8	0.6275 0.6265	1-1/8	1.1250 1.1242	1.625	±0.010	54.60	
	0.75	3/4	0.7525 0.7515	1-1/4	1.2500 1.2490	1.750	±0.012	68.50	
	1.00	1"	1.0025 1.0015	1-9/16	1.5625 1.5615	2.250	±0.012	101.40	

### Order Example

Part No.

Type  d

U-PFPC 0.75

The part number consists only of the fields with blue characters. Please refer to the table below for technical information.

### Technical Information

d	L2	H	T	d1	d2	t	Compatible Bolt	P.C.D.	W	F	A	(D1)	(D2)	(L1)	Part Number of Liner
0.25	0.188	1.25	0.250	0.156	0.250	0.141	#6	0.875	0.750	-	0.875	0.375	0.500	0.250	U-PBPS0.25-L0.25
0.38	0.250	1.50	0.281	0.188	0.297	0.172	#8	1.063	0.875	-	1.063	0.500	0.625	0.375	U-PBPT0.38-L0.38
0.50	0.250	1.75	0.281	0.188	0.297	0.172	#8	1.313	1.125	0.688	1.125	0.688	0.875	0.500	U-PBPT0.50-L0.50
0.63	0.250	2.00	0.281	0.188	0.297	0.172	#8	1.563	1.375	0.938	1.250	0.875	1.125	0.750	U-PBPS0.63-L0.75
0.75	0.313	2.19	0.344	0.219	0.344	0.203	#10	1.719	1.500	1.000	1.375	0.938	1.250	0.750	U-PBPT0.75-L0.75
1.00	0.375	2.50	0.344	0.219	0.344	0.203	#10	2.031	1.875	1.313	1.563	1.188	1.563	1.000	U-PBPT1.00-L1.00



Days to Ship **1** Day



Price

### Quantity Discount Rate

Quantity	1-9	10-19	20-49	50~
Rate	—	2%	3%	5%

For larger quantity orders "Days to Ship" may differ from published catalog term. P.29



Express Options P.30



www.misumiusa.com E-mail: inquire@misumiusa.com

TEL.1-847-843-9105 FAX.1-847-843-9107 TOLL FREE TEL.1-800-681-7475 TOLL FREE FAX.1-800-681-7402

Contents

How to Use the Catalog

Linear Motion

Linear Shafts

Bushings

Shaft Supports  
Shaft Collars

Linear Guides

Rotary Motion

Rotary Shafts

Bearings w/ Housings

Pulleys Belts Couplings

Locating Components

Locating Pins & Bushings

Locating Components

General Components

Pivot Pins Floating Joints

Posts Device Stands Strut Clamps

Angle Plates Gussets Welded Stands

Washers Collars

Manifolds

Urethanes Rubbers

Plates

Misc.

Technical Data

Business Information

Index