
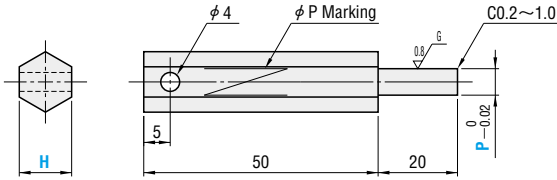


# PLUG GAUGES FOR CHECKING FIXTURES

—STRAIGHT TYPE—




**BGQ**  
**BGQH** (Hardened type)

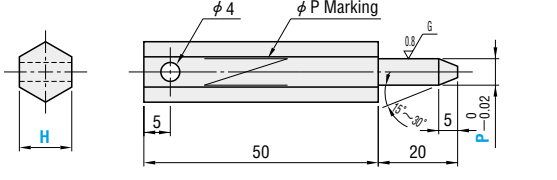


① Handle part  
M SS400  
S Black oxide (Fe<sub>3</sub>O<sub>4</sub>)

② Gauge part  
M SKS3  
H (Hardened type) 40 ~ 45HRC



**BGQT** (Tapered type)  
**BGQTH** (Tapered and hardened type)



① Handle part  
M SS400  
S Black oxide (Fe<sub>3</sub>O<sub>4</sub>)

② Gauge part  
M SKS3  
H (Hardened type) 40 ~ 45HRC


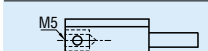
Catalog No.	P		Base unit price 1 ~ 9 pieces	
Type	H	0.01mm increments	BGQ	BGQH
BGQ	10	1.20 ~ 8.00		
	13	8.01 ~ 10.00		
BGQH (Hardened type)	16	10.01 ~ 13.00	<b>Quotation</b>	
	21	13.01 ~ 17.00		

Order  Catalog No. — P  
BGQ 16 — P12.00

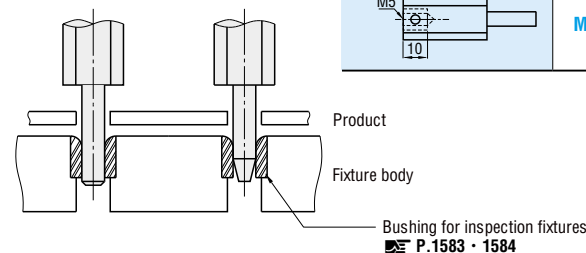
Days to Ship  **Quotation**

Price  **Quotation**

Alterations  Catalog No. — P — (CH·MH)  
BGQ 16 — P12.00 — CH


Alteration	Code	Spec.	1Code
	CH	Attachment of a chain (length 600 mm) to the gauge body to prevent loss	<b>Quotation</b>
	MH	Addition of tap hole (M5)	

**ex** Example

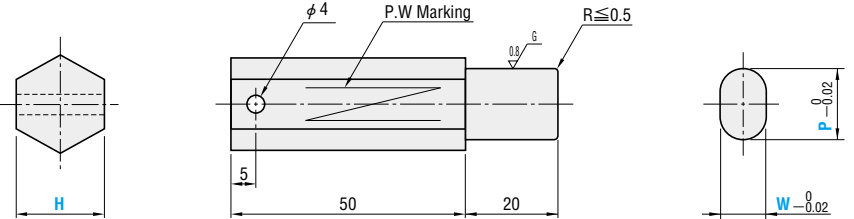


# PLUG GAUGES FOR CHECKING FIXTURES

—OBLONG TYPE—




**BGQEH** (Hardened type)

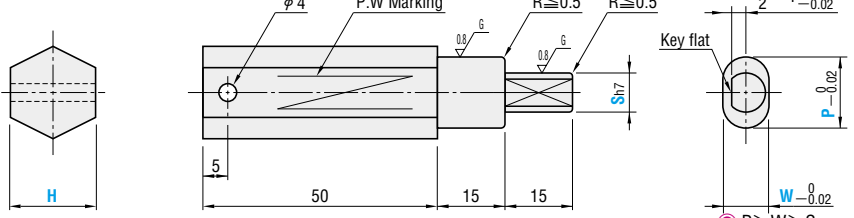


① Handle part  
M SS400  
S Black oxide (Fe<sub>3</sub>O<sub>4</sub>)

② Gauge part  
M Equivalent to SKD11  
H 60HRC ~



**BGOEH** (Hardened type)





① Handle part  
M SS400  
S Black oxide (Fe<sub>3</sub>O<sub>4</sub>)


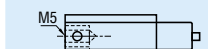
② Gauge part  
M Equivalent to SKD11  
H 60HRC ~

Catalog No.	P-W 0.01mm increments			Base unit price
Type	H	P-Wmax.	P-Wmin.	1 ~ 9 pieces
BGQEH (Hardened type)	10	8.00	3.00	
	13	10.00	6.00	<b>Quotation</b>
	16	13.00	8.00	
	21	17.00	10.00	

Catalog No.	P-W 0.01mm increments			S	Base unit price
Type	H	P-Wmax.	P-Wmin.	0.1mm increments	1 ~ 9 pieces
BGOEH (Hardened type)	10	8.00	4.00	3.0 ~ 7.9	
	13	10.00	6.00	3.0 ~ 9.9	
	16	13.00	8.00	5.0 ~ 12.9	<b>Quotation</b>
	21	17.00	10.00	9.0 ~ 16.9	
	26	21.00	16.00	9.0 ~ 20.9	
	32	28.00	20.00	9.0 ~ 27.9	

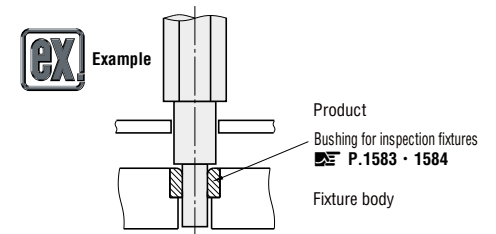
Order  Catalog No. — P — W — S  
BGQEH 10 — P6.50 — W4.00  
BGOEH 10 — P6.50 — W4.50 — S3.0

Alterations  Catalog No. — P — W — S — (CH·MH)  
BGQEH 10 — P6.50 — W4.00 — CH  
BGOEH 10 — P7.00 — W4.00 — S3.0 — CH

Alteration	Code	Spec.	1Code
	CH	Attachment of a chain (length 600 mm) to the gauge body to prevent loss	<b>Quotation</b>
	MH	Addition of tap hole (M5)	

Days to Ship  **Quotation**

Price  **Quotation**



INSPECTION JIGS & FIXTURES