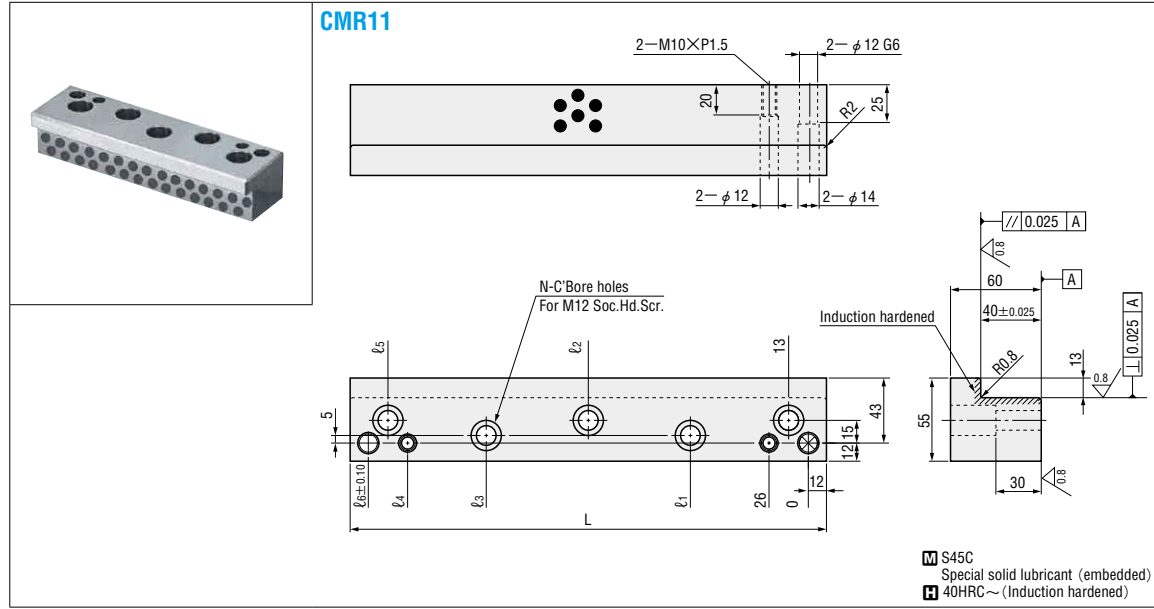




CAM SLIDE GUIDES



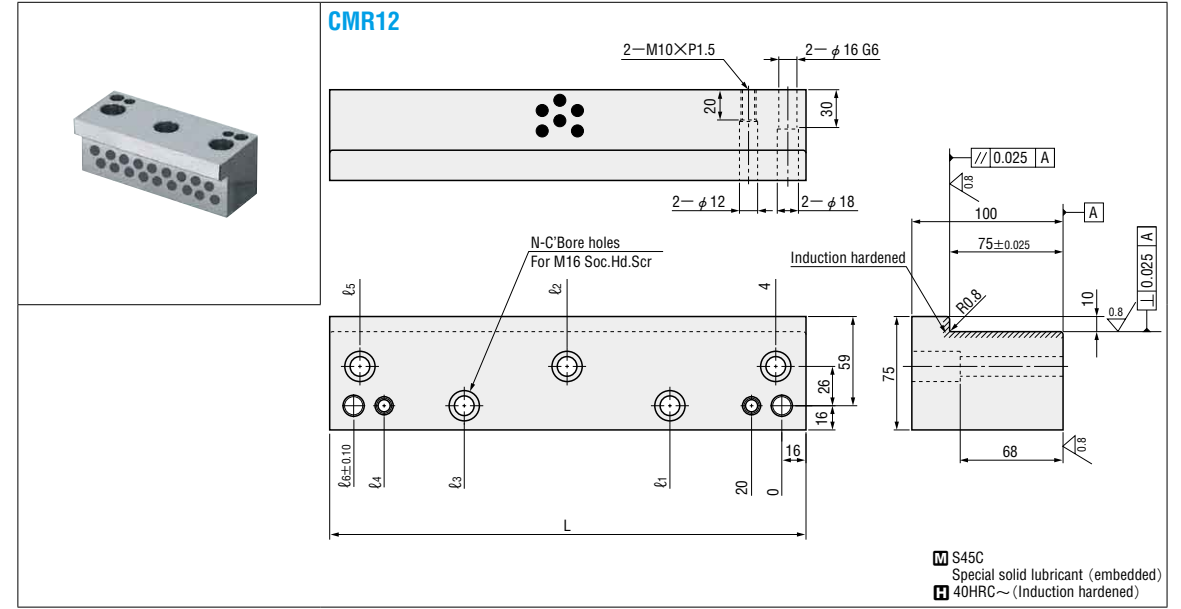
S45C
 Special solid lubricant (embedded)
 40HRC~ (Induction hardened)

L	No. of bolt holes	ℓ ₁	ℓ ₂	ℓ ₃	ℓ ₄	ℓ ₅	ℓ ₆	NAAMS Code	Catalog No.	
									Type	Code
160	3	68	—	—	110	123	136	R114016	CMR11	4016
200		88	—	—	150	163	176	R114020		4020
250		4	78	—	148	200	213	226		R114025
315	5	145.5		213	265	278	291	R114031		4031

Order
CMR11 4020

Days to Ship **Quotation**

Price **Quotation**



S45C
 Special solid lubricant (embedded)
 40HRC~ (Induction hardened)

L	No. of bolt holes	ℓ ₁	ℓ ₂	ℓ ₃	ℓ ₄	ℓ ₅	ℓ ₆	NAAMS Code	Catalog No.	
									Type	Code
160	3	—	64	—	108	124	128	R127516	CMR12	7516
200			84	—	148	164	168	R127520		7520
250			4	74	—	144	198	214		218
315	5	142	210		263	279	283	R127531		7531

Order
CMR12 7520

Days to Ship **Quotation**

Price **Quotation**

NAAMS