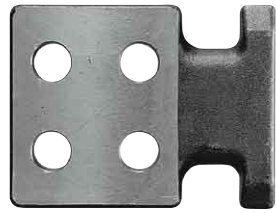


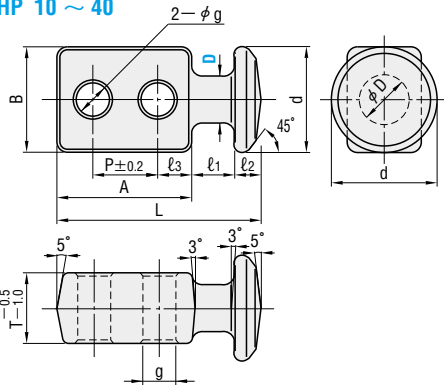
HOOKS

—PLATE TYPE—

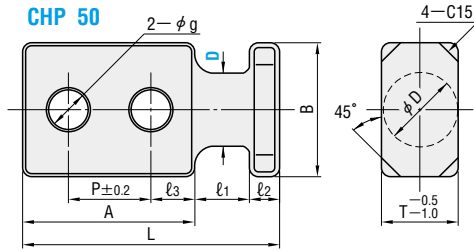


RoHS

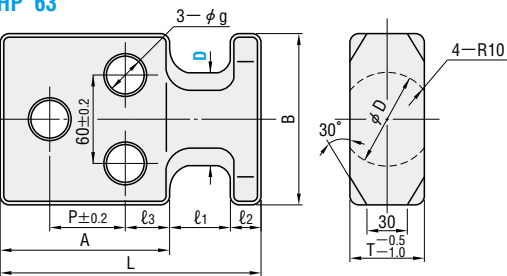
CHP 10 ~ 40



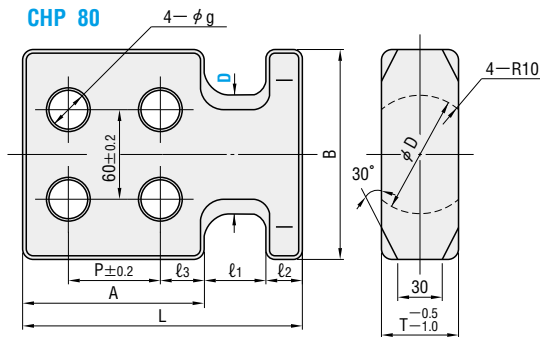
CHP 50



CHP 63



CHP 80



SS400

d	B	T	L	A	ℓ ₁	ℓ ₂	ℓ ₃	P	g	N/piece (kgf/piece) For steel, safety factor 10	Catalog No.		Base unit price 1 ~ 19 pieces
											Type	D	
28	28	18	50	32	10	8	8	16	7	1569 { 160 }	CHP	10	Quotation
32	32	20	56	38	10	8	10	18	9	3530 { 360 }		12	
36	36	24	67	46	13	8	12	22	11	4511 { 460 }		16	
40	40	26	88	60	18	10	15	30	14	5492 { 560 }		20	
48	48	35	92	60	20	12	15	30	14	6570 { 670 }		25	
55	55	40	118	80	25	13	20	40	18	12160 { 1240 }		32	
70	70	50	138	93	30	15	24	45	22	19123 { 1950 }		40	
—	90	50	170	115	35	20	30	55	26	27459 { 2800 }		50	
—	115	50	175	115	40	20	30	55	26	39227 { 4000 }		63	
—	140	50	185	120	40	25	30	60	26	50995 { 5200 }		80	

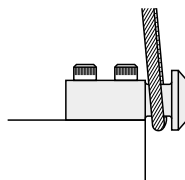
•Load [kgf] = Load N × 0.101972

Order **Catalog No.**
CHP 25

Price **Quotation**

Days to Ship **Quotation**

Example **EX** The direction of lifting must be the same direction as the bolt shaft.



■CHP50・63・80 installation bolts (strength class 10.9)

Length of threaded part	Catalog No.	Type	M	L
Full thread	CB 24-80	90	100	110
60		120		

Use bolts of strength class 12.9 or 10.9 as defined in JIS B 1176 or JIS B 1180.
Detailed dimensions, other sizes, delivery, and prices **P.809**

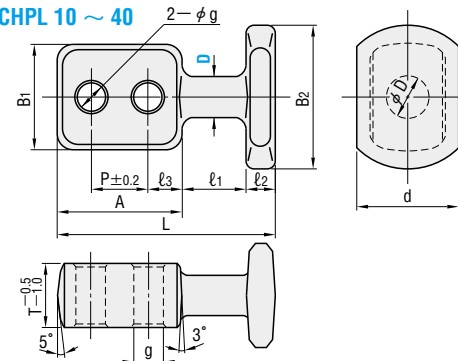
HOOKS

—LARGE HEAD TYPE—

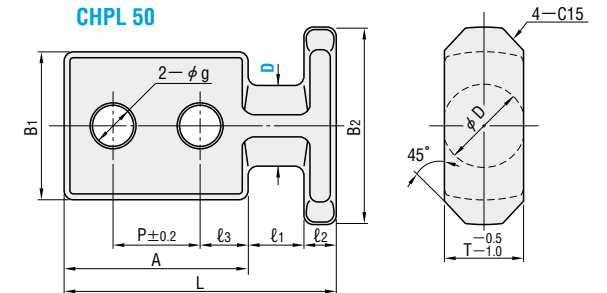


RoHS

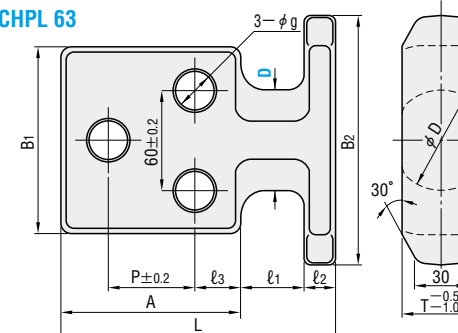
CHPL 10 ~ 40



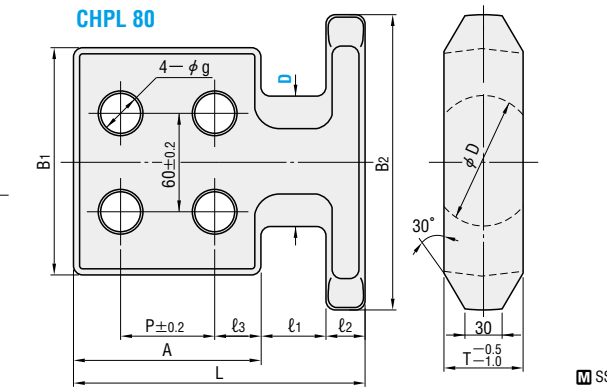
CHPL 50



CHPL 63



CHPL 80



SS400

d	B ₁	B ₂	T	L	A	ℓ ₁	ℓ ₂	ℓ ₃	P	g	N/piece (kgf/piece) For steel, safety factor 10	Catalog No.		Base unit price 1 ~ 19 pieces
												Type	D	
28	28	38	18	61	32	20	9	8	16	7	1569 { 160 }	CHPL	10	Quotation
32	32	44	20	67	38	20	9	10	18	9	3530 { 360 }		12	
36	36	50	24	78	46	20	12	12	22	11	4511 { 460 }		16	
40	40	56	26	97	60	25	12	15	30	14	5492 { 560 }		20	
48	48	68	35	98	60	25	13	15	30	14	6570 { 670 }		25	
55	55	77	40	125	80	30	15	20	40	18	12160 { 1240 }		32	
70	70	100	50	143	93	35	15	24	45	22	19123 { 1950 }		40	
—	90	120	50	170	115	35	20	30	55	26	27459 { 2800 }		50	
—	115	155	50	175	115	40	20	30	55	26	39227 { 4000 }		63	
—	140	180	50	185	120	40	25	30	60	26	50995 { 5200 }		80	

※□: Indicates dimensions which are different from CHP.

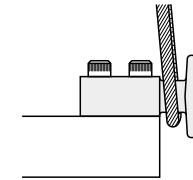
•Load [kgf] = Load N × 0.101972

Order **Catalog No.**
CHPL 25

Price **Quotation**

Days to Ship **Quotation**

Example **EX** The direction of lifting must be the same direction as the bolt shaft.



■CHPL50・63・80 installation bolts (strength class 10.9)

Length of threaded part	Catalog No.	Type	M	L
Full thread	CB 24-80	90	100	110
60		120		

Use bolts of strength class 12.9 or 10.9 as defined in JIS B 1176 or JIS B 1180.
Detailed dimensions, other sizes, delivery, and prices **P.809**