

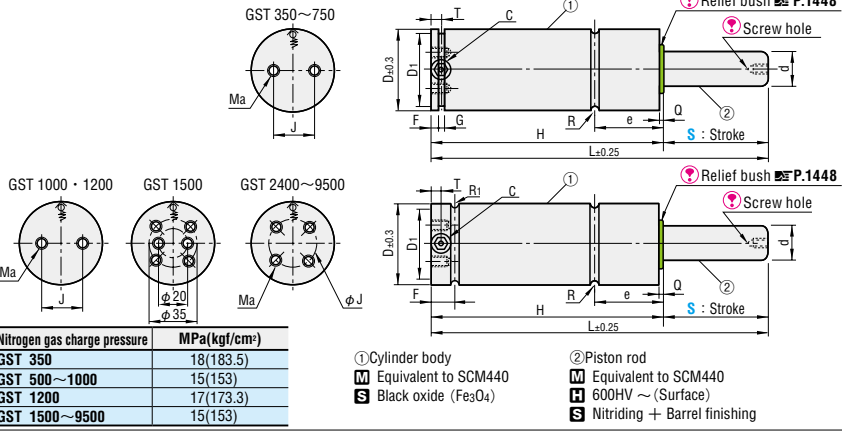
# GAS SPRINGS

—GST—



RoHS

**GST**  
 \* If a gas spring is used in excess of the specified stroke range S, it may cause gas leakage.  
 Use the gas spring within the specified stroke range to avoid the Relief bushing is pushed down. P.1448  
 \* Do not use the screw hole to fix the gas spring with a bolt nor to install an extension pin. P.1444



Weight (kg)	D	D <sub>1</sub>	d	L	H	e	R	T	F	G	R <sub>1</sub>	Ma Top hole for mounting	J	Q	C	Load N (kgf)		Catalog No.	Adaptable plate																	
																Initial load	Maximum load		Type	Initial load - S	Vertical	Horizontal														
0.22	32	27	16	60	50	12.5	1.05	10.5	4	3.5	-	2- M6×16	20	2	G1/8	3600 {367}	5900 {602}	FFC32	FSA32 FSD32																	
0.23				66 53	5200 {530}												FFCA32																			
0.24				72 56	5300 {540}												FCQ32																			
0.25				78 59	5600 {571}												FC32																			
0.26				90 65	5500 {561}												5500 {561}																			
0.29				104 72	5500 {561}												5500 {561}																			
0.30				116 78	5500 {561}												5500 {561}																			
0.34				140 90	5600 {571}												5500 {561}																			
0.38				166 103	5500 {561}												5500 {561}																			
0.42				190 115	5500 {561}												5500 {561}																			
0.43				200 120	5500 {561}												5500 {561}																			
0.49				240 140	5500 {561}												5500 {561}																			
0.57				290 165	5500 {561}												5500 {561}																			
0.33				38	33												20	60			50	12.5	1.05	10.5	4	3.5	-	2- M6×16	25	2	G1/8	4700 {479}	7200 {734}	FFC38	FSA38 FSD38	
0.34																		66 53			7100 {724}												FFCA38			
0.36	72 56	7200 {734}	FT38																																	
0.37	78 59	7400 {755}	FTP38																																	
0.40	90 65	7300 {744}	FCQ38																																	
0.43	104 72	7200 {734}	FC38																																	
0.46	116 78	7200 {734}	7200 {734}																																	
0.52	140 90	7200 {734}	7200 {734}																																	
0.58	166 103	7200 {734}	7200 {734}																																	
0.63	190 115	7100 {724}	7100 {724}																																	
0.66	200 120	7100 {724}	7100 {724}																																	
0.75	240 140	7100 {724}	7100 {724}																																	
0.87	290 165	7100 {724}	7100 {724}																																	
0.52	45	40	25			73	60	16.5	1.05	10.5	4	3.5	-	2- M8×16	20	2		G1/8	7400 {755}	12100 {1234}	FB45												FSA45 FSD45			
0.54						79 63	12100 {1234}													FBA45																
0.56				85 66	11700 {1193}	FBB45																														
0.60				97 72	11800 {1203}	FFC45																														
0.64				111 79	11800 {1203}	FFCA45																														
0.68				123 85	11800 {1203}	FT45																														
0.76				147 97	11800 {1203}	FTP45																														
0.84				173 110	11800 {1203}	FCQ45																														
0.92				197 122	11900 {1213}	FC45																														
0.95				207 127	11900 {1213}	11900 {1213}																														
1.08				247 147	11900 {1213}	11900 {1213}																														
1.24				297 172	11900 {1213}	11900 {1213}																														
0.72				50	46	28	72										62			17.5	2.05	10.5	13	-	-	2- M10×16	31.7	3	G1/8	9200 {938}	13500 {1377}	FFS50			FSA50 FSD50	
0.75							78 65										13800 {1407}														FCQ50					
0.77							84 68										13800 {1407}														FC50					
0.82	90 71	14000 {1428}	14200 {1448}																																	
0.86	102 77	14200 {1448}	14300 {1458}																																	
0.92	116 84	14300 {1458}	14500 {1479}																																	
0.97	128 90	14600 {1489}	14700 {1499}																																	
1.08	152 102	14700 {1499}	14700 {1499}																																	
1.18	178 115	14700 {1499}	14800 {1509}																																	
1.28	202 127	14800 {1509}	14800 {1509}																																	
1.35	212 132	14800 {1509}	14800 {1509}																																	
1.51	252 152	14800 {1509}	14800 {1509}																																	
1.71	302 177	14800 {1509}	14800 {1509}																																	

\* The Initial load (±10%) is value at 20°C. The maximum load is theoretical value under static condition. Load depends on temperature.  
 ● Load (kgf) = Load N×0.101972 ● Load (N) = Load kgf×9.80665 ● Nitrogen gas charge pressure kgf/cm<sup>2</sup> = MPa×10.1972 MPa = kgf/cm<sup>2</sup>×0.0980665

Weight (kg)	D	D <sub>1</sub>	d	L	H	e	R	T	F	G	R <sub>1</sub>	Ma Top hole for mounting	J	Q	C	Load N (kgf)		Catalog No.	Adaptable plate																		
																Initial load	Maximum load		Type	Initial load - S	Vertical	Horizontal															
0.72	50	46	28	72	62	17.5	2.05	10.5	13	-	2.05	2- M10×16	31.7	3	G1/8	10600 {1081}	13700 {1397}	FFS50 FCQ50 FC50	FSA50 FSD50																		
0.75				78 65	14200 {1448}												1200-10																				
0.77				84 68	14500 {1479}												1200-13																				
0.82				90 71	14800 {1509}												1200-16																				
0.86				102 77	15200 {1550}												1200-19																				
0.92				116 84	15500 {1581}												1200-25																				
0.97				128 90	15700 {1601}												1200-32																				
1.08				152 102	16000 {1632}												1200-38																				
1.18				178 115	16200 {1652}												1200-50																				
1.28				202 127	16400 {1672}												1200-63																				
1.35				212 132	16400 {1672}												1200-75																				
1.51				252 152	16600 {1693}												1200-80																				
1.71				302 177	16700 {1703}												1200-100																				
1.10				63	59												36				72	62	19	2.05	10.5	13	-	2.05	2- M8×16 or 4- M8×16	20 or 35	3	G1/8	15300 {1560}	23700 {2417}	FB50 FBA50 FBB63 FFS63 FCQ63 FC63	FSA50 FSD50	
1.12																					78 65	24000 {2447}												1500-10			
1.16	84 68	24100 {2458}	1500-13																																		
1.20	90 71	24200 {2468}	1500-16																																		
1.27	102 77	24300 {2478}	1500-19																																		
1.35	116 84	23800 {2427}	1500-25																																		
1.42	128 90	23900 {2437}	1500-32																																		
1.56	152 102	24000 {2447}	1500-38																																		
1.71	178 115	24100 {2458}	1500-50																																		
1.85	202 127	24200 {2468}	1500-63																																		
1.91	212 132	24200 {2468}	1500-75																																		
2.15	252 152	24300 {2478}	1500-80																																		
2.44	302 177	24300 {2478}	1500-100																																		
1.73	75	70	45			79	69	21	2.55	10.5	13	-	2.55	4- M12×16	53.9	3		G1/8	23850 {2432}	38100 {3885}	FFS75 FCQ75 FC75	FSA75 FSD75															
1.77						85 72	38200 {3895}													2400-10																	
1.82				91 75	38300 {3906}	2400-13																															
1.87				97 78	38500 {3926}	2400-16																															
1.96				109 84	38700 {3946}	2400-19																															
2.08				123 91	38600 {3936}	2400-25																															
2.18				135 97	38400 {3916}	2400-32																															
2.37				159 109	39200 {3997}	2400-38																															
2.58				185 122	39200 {3997}	2400-50																															
2.83				209 134	39200 {3997}	2400-63																															
2.91				219 139	39200 {3997}	2400-75																															
3.22				259 159	39300 {4007}	2400-80																															
3.63				309 184	39300 {4007}	2400-100																															
3.18				95	90	60	94										78			24			2.55	10.5	13	-	2.55	4- M12×16	76.2	3	G1/8	42400 {4324}	61700 {6292}		FFS95 FCQ95 FC95	FSA95 FSD95	
3.27							100 81										61700 {6292}																4200-16				
3.47	112 87	60800 {6200}	4200-19																																		
3.64	126 94	64300 {6557}	4200-25																																		
3.79	138 100	65800 {6710}	4200-38																																		
4.25	162 112	67000 {6832}	4200-50																																		
4.47	188 125	67800 {6914}	4200-63																																		
4.77	212 137	68000 {6934}	4200-75																																		
4.96	222 142	68600 {6995}	4200-80																																		
5.45	262 162	69100 {7046}	4200-100																																		
6.07	312 187	69600 {7097}	4200-125																																		
5.55	120	115	75				104	88	25.5	2.55	10.5	13	-	2.55	4- M12×16	80.8	3	G1/8	66300 {6761}		89000 {9075}	FB120 FBA120 FBB120 FFS120 FCQ120 FC120											FSA120 FSD120				
5.67							110 91	91000 {9279}													6600-16																
5.91							122 97	93900 {9575}													6600-19																
6.18							136 104	96100 {9799}													6600-25																
6.43				148 110	98200 {10014}	6600-32																															
6.90				172 122	100600 {10258}	6600-38																															
7.42				198 135	102400 {10442}	6600-50																															
7.90				222 147	103400 {10544}	6600-63																															
8.01				232 152	104100 {10615}	6600-75																															
8.89				272 172	105400 {10748}	6600-80																															
9.89				322 197	106500 {10860}	6600-100																															
9.79				150	145	90	116	97												27.5	2.55		10.5	13	-	2.55	4- M12×16	100	3	G1/8	95400 {9728}	134900 {13756}			FB150 FBA150 FBB150 FFS150 FCQ150 FC150	FSA150 FSD150	
10.16							128 103	138900 {14164}																								9500-19					
10.60							142 110	141900 {14470}																								9500-25					
10.97							154 116	142900 {14572}																								9500-32					
11.72	178 128	145900 {14878}	9500-38																																		
12.53	204 141	147900 {15082}	9500-50																																		
13.28	228 153	148900 {15184}	9500-63																																		
13.59	238 158	149900 {15286}	9500-75																																		
14.84	278 178	150900 {15388}	9500-80																																		
16.39	328 203	151900 {15489}	9500-100																																		

### Gas spring temperature range

Please ensure that the surface temperature of the gas spring does not exceed 80°C.



Catalog No.

GST 750-50



Quotation



Quotation



Alterations



Catalog No. - (N)

GST1500-25 - N

Alteration	Code	Spec.
For piping gas releasing	N	For piping, we ship inside gas and valve and pull out. Reduce labor of assembling joints and hoses.