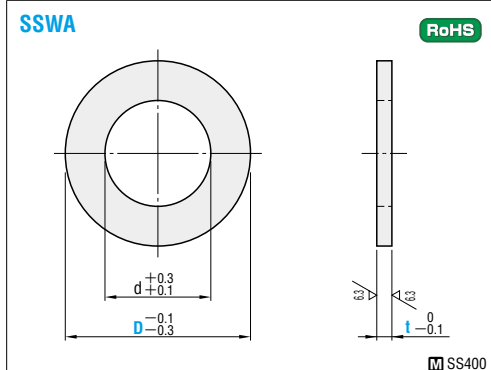
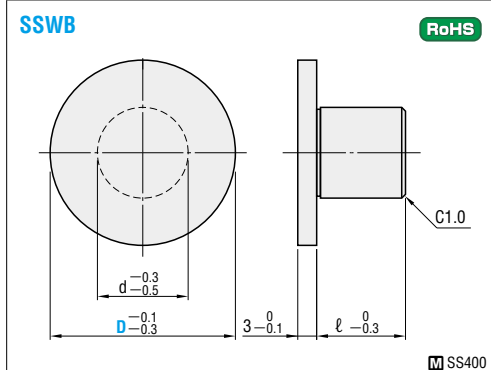


WASHERS FOR COIL SPRINGS

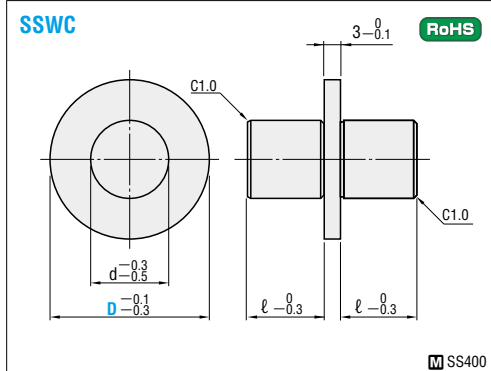
SPRING UNIT FLANGES



| d | Spring diameter | Catalog No. | | t | Base unit price 1~19 pieces | | | | |
|------|-----------------|-------------|------|-----|-----------------------------|-------|-------|-------|-------|
| | | Type | D | | t=1.0 | t=2.0 | t=3.0 | t=4.0 | t=5.0 |
| 3.0 | 6 | SSWA | 5 | 1.0 | | | | | |
| 5.0 | 8 | | 7 | | | | | | |
| 6.0 | 10 | | 9 | | | | | | |
| 7.0 | 12 | | 11.5 | | | | | | |
| 8.0 | 14 | | 13 | | | | | | |
| 9.0 | 16 | | 15 | | | | | | |
| 10.0 | 18 | | 17 | | | | | | |
| 12.0 | 20 | | 19 | | | | | | |
| 12.0 | 22 | | 21 | | | | | | |
| 14.5 | 25 | | 24 | | | | | | |
| 15.0 | 27 | | 26 | | | | | | |
| 17.0 | 30 | | 29 | | | | | | |
| 20.0 | 35 | | 34 | | | | | | |
| 23.0 | 40 | | 39 | | | | | | |



| d | l | Spring diameter | Catalog No. | | Base unit price 1~19 pieces |
|------|------|-----------------|-------------|----|-----------------------------|
| | | | Type | D | |
| 3.5 | 4.0 | 8 | SSWB | 7 | Quotation |
| 4.5 | 5.0 | 10 | | 9 | |
| 5.5 | 6.0 | 12 | | 11 | |
| 6.5 | 7.0 | 14 | | 13 | |
| 7.5 | 8.0 | 16 | | 15 | |
| 8.5 | 9.0 | 18 | | 17 | |
| 9.5 | 10.0 | 20 | | 19 | |
| 10.5 | 11.0 | 22 | | 21 | |
| 12.0 | 12.0 | 25 | | 24 | |
| 13.0 | 13.0 | 27 | | 26 | |
| 14.5 | 15.0 | 30 | | 29 | |
| 17.0 | 17.0 | 35 | | 34 | |
| 19.5 | 20.0 | 40 | | 39 | |

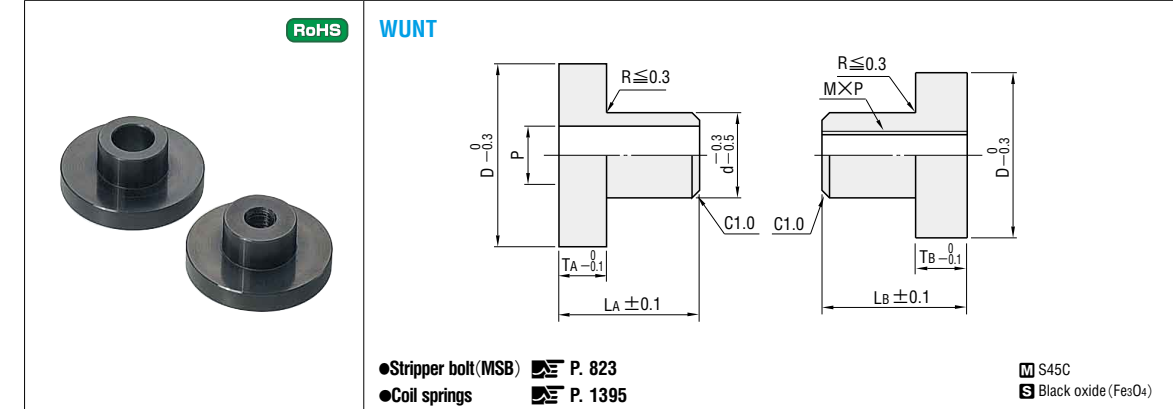
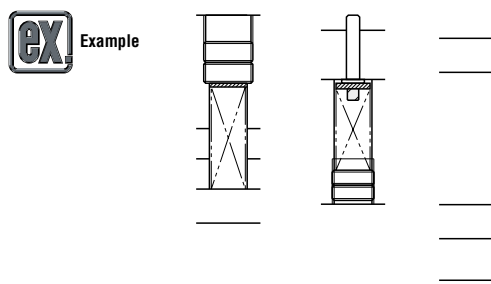


| d | l | Spring diameter | Catalog No. | | Base unit price 1~19 pieces |
|------|------|-----------------|-------------|----|-----------------------------|
| | | | Type | D | |
| 3.5 | 4.0 | 8 | SSWC | 7 | Quotation |
| 4.5 | 5.0 | 10 | | 9 | |
| 5.5 | 6.0 | 12 | | 11 | |
| 6.5 | 7.0 | 14 | | 13 | |
| 7.5 | 8.0 | 16 | | 15 | |
| 8.5 | 9.0 | 18 | | 17 | |
| 9.5 | 10.0 | 20 | | 19 | |
| 10.5 | 11.0 | 22 | | 21 | |
| 12.0 | 12.0 | 25 | | 24 | |
| 13.0 | 13.0 | 27 | | 26 | |
| 14.5 | 15.0 | 30 | | 29 | |
| 17.0 | 17.0 | 35 | | 34 | |
| 19.5 | 20.0 | 40 | | 39 | |

Order **Catalog No.** — **t**
SSWA 15 — 2.0
SSWC 9

Days to Ship **Quotation**

Price **Quotation**



| Spring dia. D | Bolt | P | M×P | TA·TB | LA | LB | D | d | Catalog No. | | Base unit price 1~9 pieces |
|---------------|-------|----|--------|-------|----|----|----|------|-------------|-------|----------------------------|
| | | | | | | | | | Type | No. | |
| 25 | MSB8 | 8 | 6×1.0 | 5 | 10 | 10 | 26 | 11.5 | WUNT | 25 | Quotation |
| 27 | | | | | | | | | | 27 | |
| 30 | MSB10 | 10 | 8×1.25 | 5 | 11 | 11 | 31 | 14 | | 30 | |
| | | | | | | | | | | 30-13 | |
| | | | | | | | | | | 35 | |
| 35 | MSB12 | 12 | 8×1.25 | 5 | 13 | 13 | 36 | 16.5 | | 35 | |
| | | | | | | | | | | 40 | |
| 40 | MSB12 | 12 | 8×1.25 | 5 | 13 | 13 | 41 | 19 | | 40 | |

The catalog Nos. were changed (for selection of the spring diameter and LB length) due to the addition of WUNT30-13.
Cannot be used for SWC. (Not suitable for the spring inner diameter.)

Order **Catalog No.**
WUNT 25

Days to Ship **Quotation**

Price **Quotation**

- Features**
- An initial load can be applied to the spring.
 - The spring can be deflected beforehand, reducing the trouble involved in die assembly and adjustment.

- Notes for use**
- Unit example
-

Alterations **Catalog No.** — (LAC·LBC·TAC·TBC)
WUNT 35 — LAC7

| Alteration | Code | Spec. | 1Code |
|------------|------|---|-----------|
| LAC | LAC | LA dimension change 0.1mm increments 1.5 + TA ≤ LAC < LA When combined with TAC: 1.5 + TAC ≤ LAC < LA - TAC | Quotation |
| LBC | LBC | LB dimension change 0.1mm increments 1.5 + TB ≤ LBC < LB When combined with TBC: 1.5 + TBC ≤ LBC < LB - TBC | |
| TAC | TAC | Head thickness change 0.1mm increments 3 ≤ TAC < TA LA dimension is shortened by (TA - TAC). When combined with LAC, LAC dimension remains as specified. | |
| TBC | TBC | Head thickness change 0.1mm increments 3 ≤ TBC < TB LB dimension is shortened by (TB - TBC). When combined with LBC, LB dimension remains as specified. | |

Some alterations may result in the removal of the surface treatment at the alteration location.

