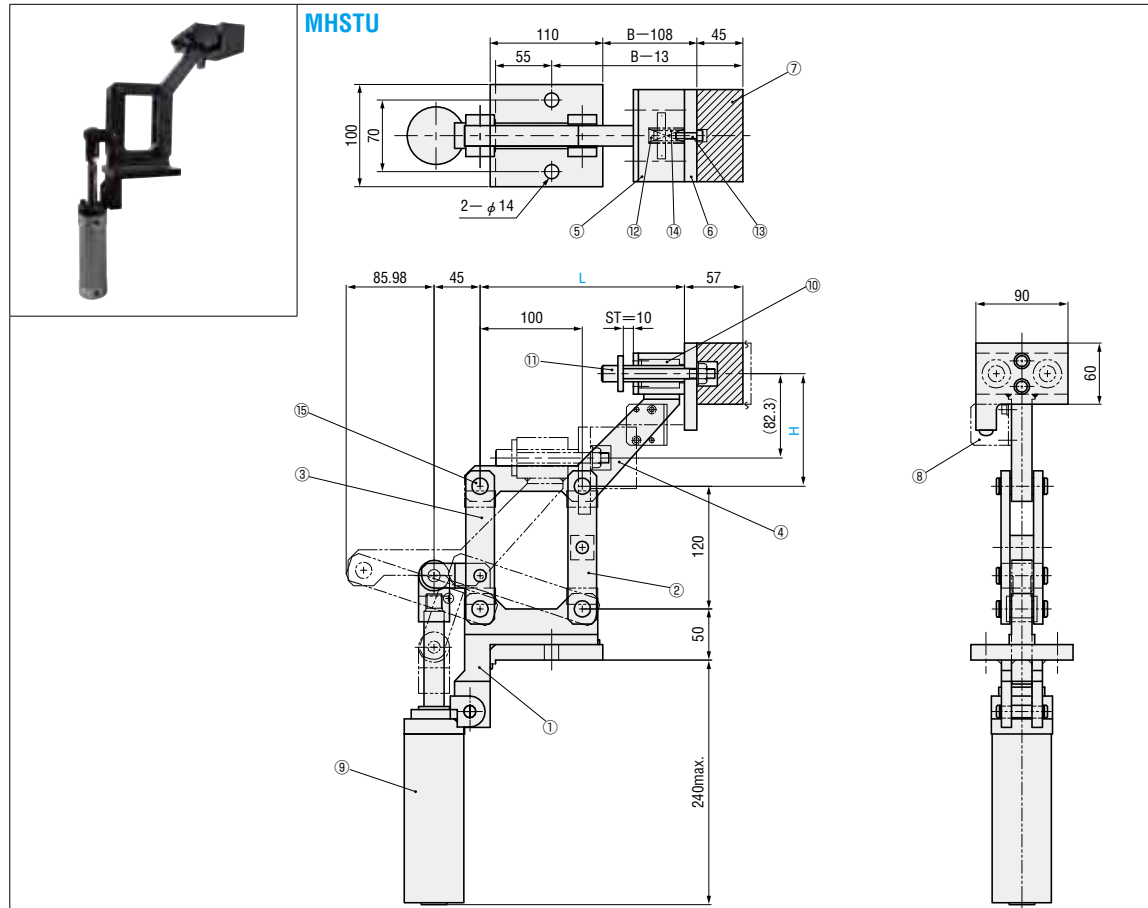


# STOPPER UNITS

# LIFTER UNITS FOR CONVEYER OPERATION



Ⓜ This drawing shows the proximity switch bracket  
Ⓜ mount on the right side.

### Components list

No.	Name	Qty.	Material & remarks	No.	Name	Qty.	Material & remarks
①	Mounting base	1	SS400	⑨	Cylinder	1	SMC
②	Link	1	SS400	⑩	Bushing	2	
③	Arm	1	SS400	⑪	Bolt assembly	2	S45C SCM435
④	Bracket	1	SS400	⑫	Spring	1	SWP-A
⑤	Link plate	1	SPHC	⑬	Bushing	2	SCM435
⑥	Link plate	1	SS400	⑭	Bolt	1	
⑦	Stopper	1	Urethane	⑮	Hinge pin	4	S45C
⑧	Proximity switch bracket	1	SPC-C				

Catalog No.	H 5mm increment	L 5mm increment
MHSTU	100~150	170~205



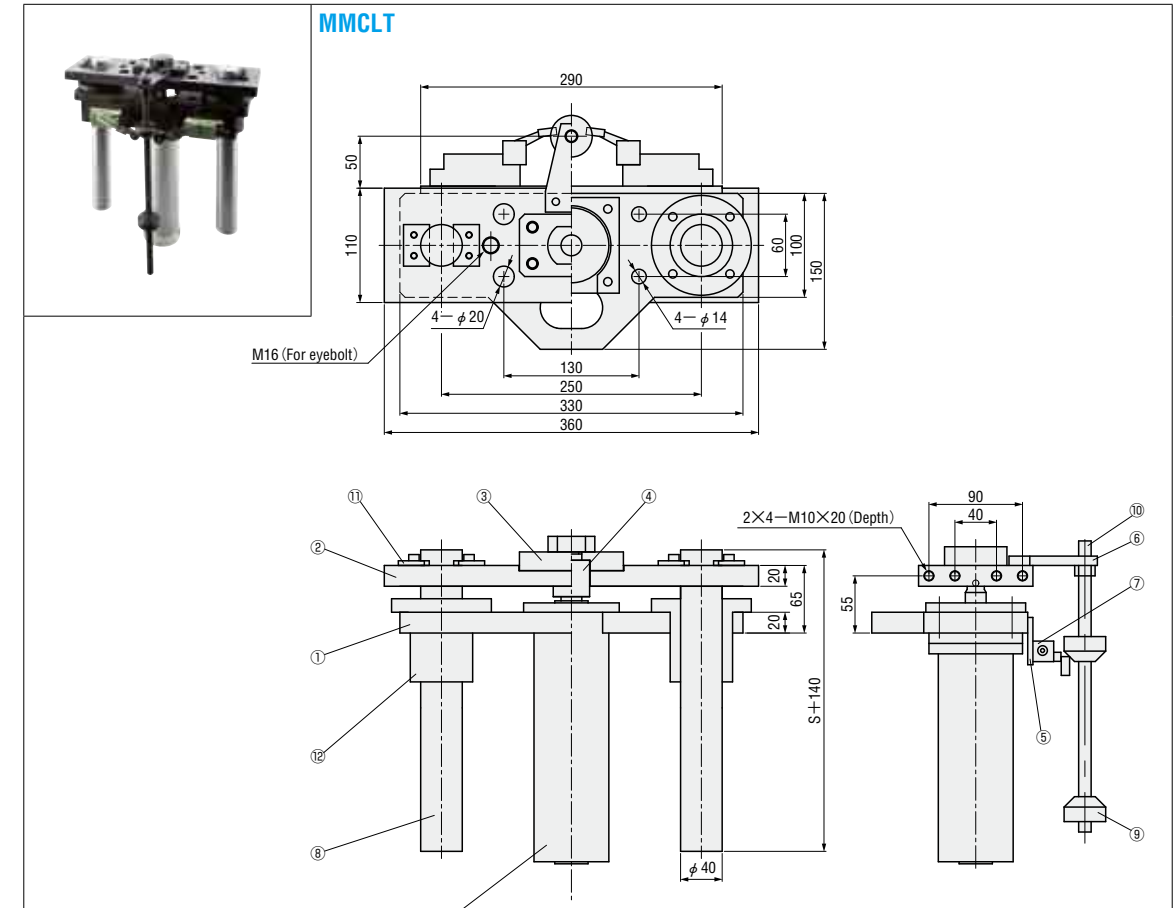
Alterations

Catalog No.	H	L	(R · L)
MHSTU	150	200	R
Code	Spec.		
R	Mount the proximity switch bracket ⑧ on the right side.		
L	Mount the proximity switch bracket ⑧ on the left side.		

Order	Catalog No.	H	L
	MHSTU	150	200

Days to Ship **Quotation**

Price **Quotation**



### Components list

No.	Name	Qty.	Material & remarks	No.	Name	Qty.	Material & remarks
①	Mounting baseplate	1	SS400	⑧	Guide shaft	2	SUJ2
②	Lifting plate	1	SS400	⑨	Adjusting block	2	SS400
③	Cover	1	SS400	⑩	Adjusting bolt	1	SS400
④	Cylinder fittings	1	S45C	⑪	Lock block	4	SS400
⑤	Bracket for limit switch	1	SS400	⑫	Bushing	2	
⑥	Link plate	1	SS400	⑬	Cylinder	1	SMC
⑦	Limit switch	2	Domestic made				

Catalog No.	ST
MMCLT	100
	125
	150
	175
	200
	250
	300



Order

Catalog No.	ST
MMCLT	125



Days to Ship

**Quotation**



Price

**Quotation**