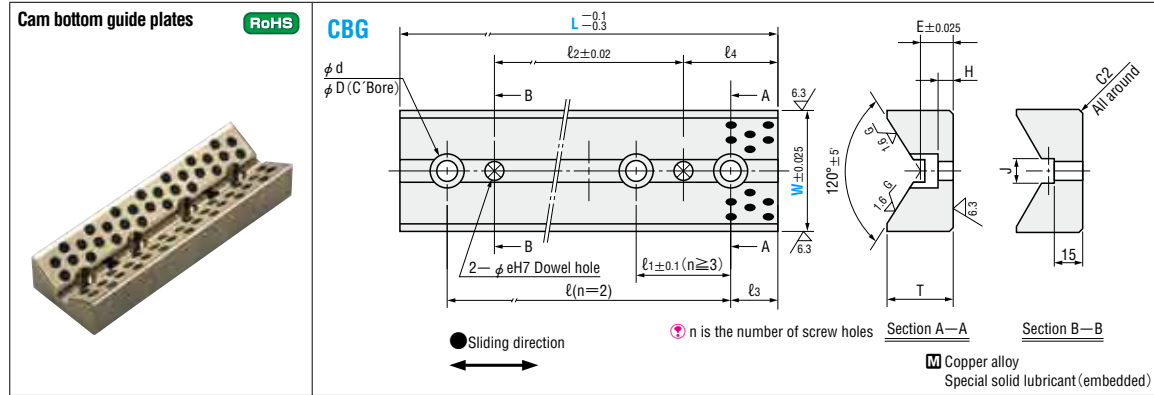
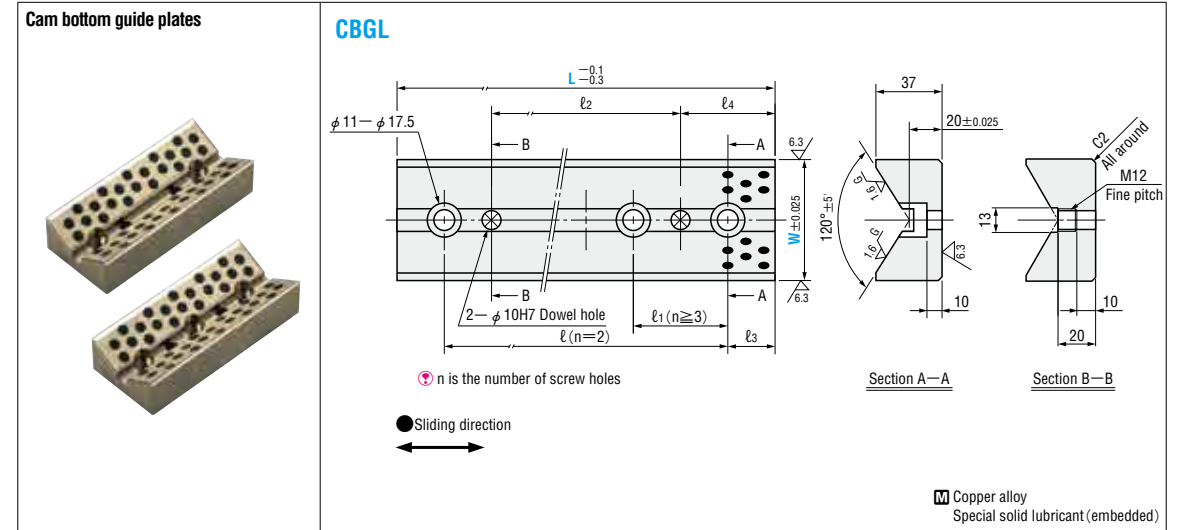


CAM BOTTOM GUIDE PLATES / CAM BOTTOM SLIDE PLATES

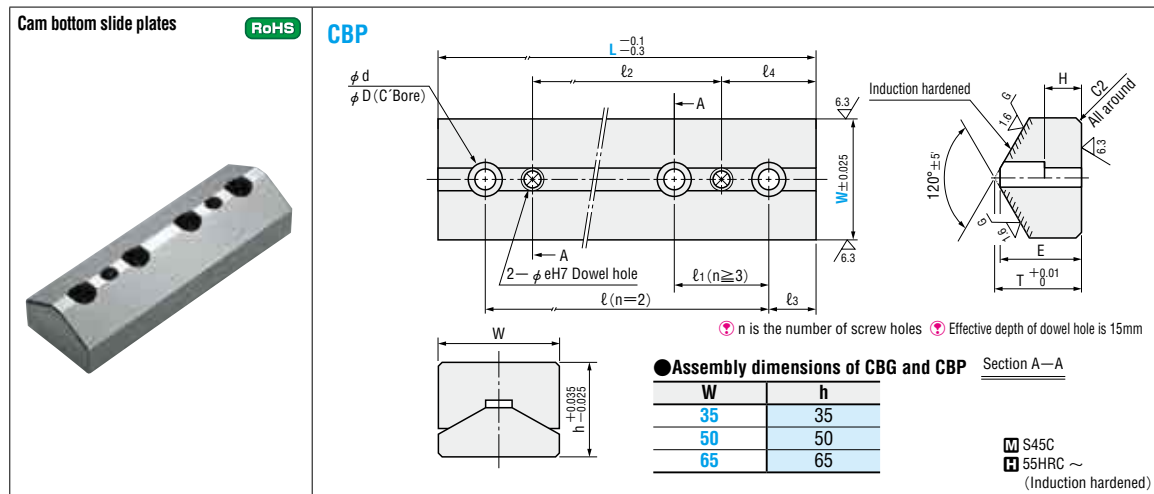


ℓ	ℓ ₁	ℓ ₂	ℓ ₃	ℓ ₄	n (holes)	e	d	D	E	J	H	T	Catalog No.	W	L
45	15	15	30		2	8	9	14	15	11	4	24	CBG	35	75
60	20	20	40	100											
85	45	20	40	125											
110	70	20	40	150											
45	15	15	30		2	10	11	17.5	18	13	8	CBG	50	75	
60	20	20	40	100											
75	25	25	50	125											
100	50	20	40	150											
60	20	20	40		3	10	11	17.5	18	13	8	CBG	65	100	
—	50	20	40	150											
—	100	25	50	200											
—	150	25	50	250											
—	200	25	50	300											

When W=65, CBG is as same as for CBG of a catalog in 2014.

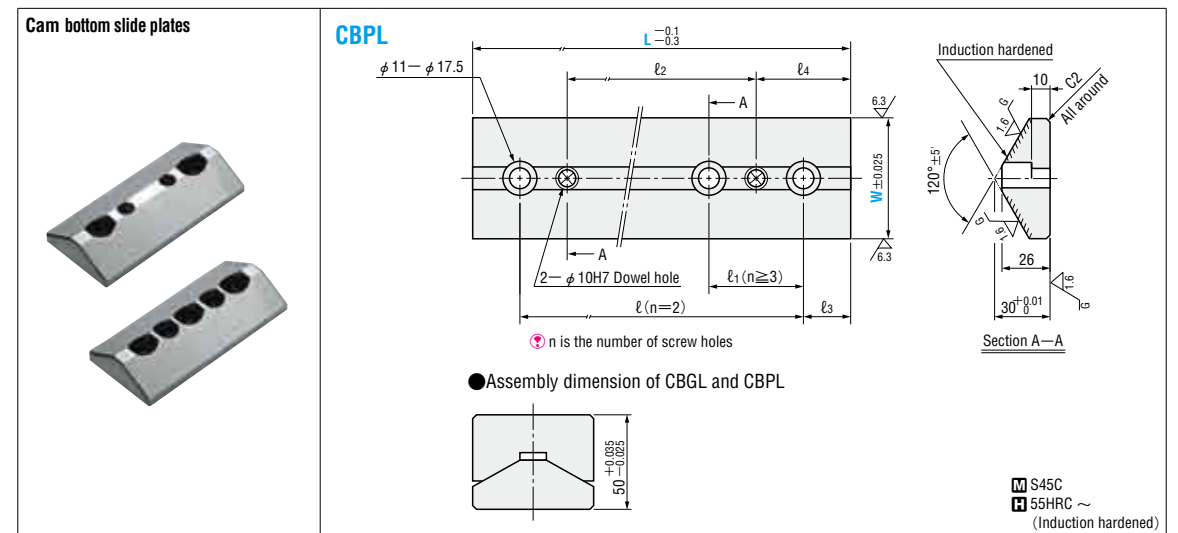


ℓ	ℓ ₁	ℓ ₂	ℓ ₃	ℓ ₄	n (holes)	Catalog No.	W	L
60	—	20	20	40	2	CBGL	65	100
75	—	25	25	50			125	
100	—	50	25	50			150	
—	75	100	25	50	3	CBGL	65	200
—	100	150	25	50			250	
—	125	200	25	50			300	



ℓ	ℓ ₁	ℓ ₂	ℓ ₃	ℓ ₄	n (holes)	e	d	D	E	H	T	Catalog No.	W	L
45	15	15	30		2	8	9	14	17	4	20	CBP	35	75
60	20	20	40	100										
85	45	20	40	125										
110	70	20	40	150										
45	15	15	30		2	10	11	17.5	18	13	8	CBP	50	75
60	20	20	40	100										
75	25	25	50	125										
100	50	20	40	150										
60	20	20	40		3	10	11	17.5	18	13	8	CBP	65	100
—	50	20	40	150										
—	100	25	50	200										
—	150	25	50	250										
—	200	25	50	300										

When W=65, CBP is as same as for CBP of an old catalog.



ℓ	ℓ ₁	ℓ ₂	ℓ ₃	ℓ ₄	n (holes)	Catalog No.	W	L
60	—	20	20	40	2	CBPL	65	100
75	—	25	25	50			125	
100	—	50	25	50			150	
—	75	100	25	50	3	CBPL	65	200
—	100	150	25	50			250	
—	125	200	25	50			300	