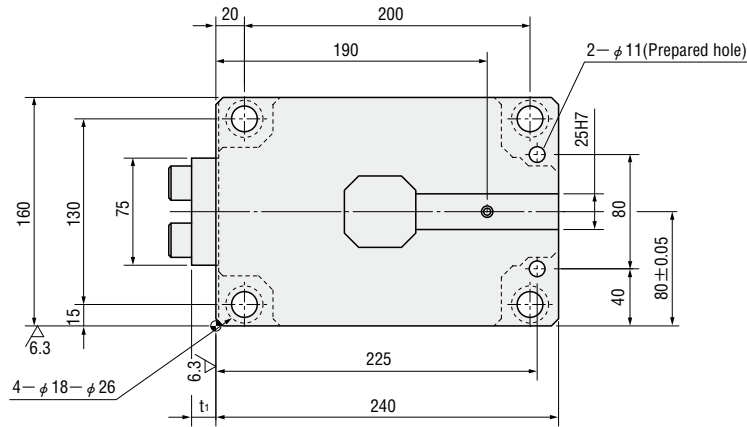


FLYING CAM UNITS FOR TRIM & FLANGE

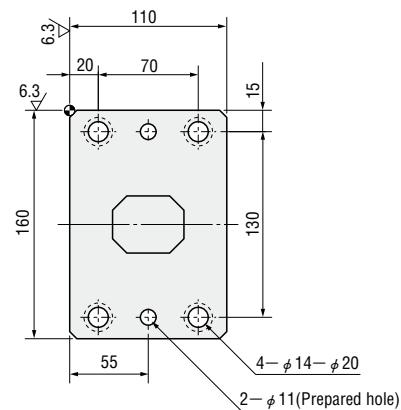
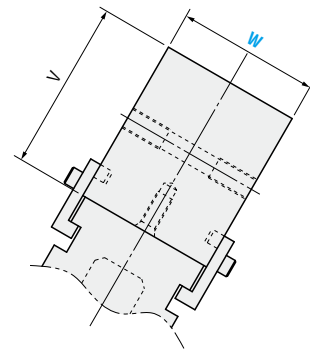
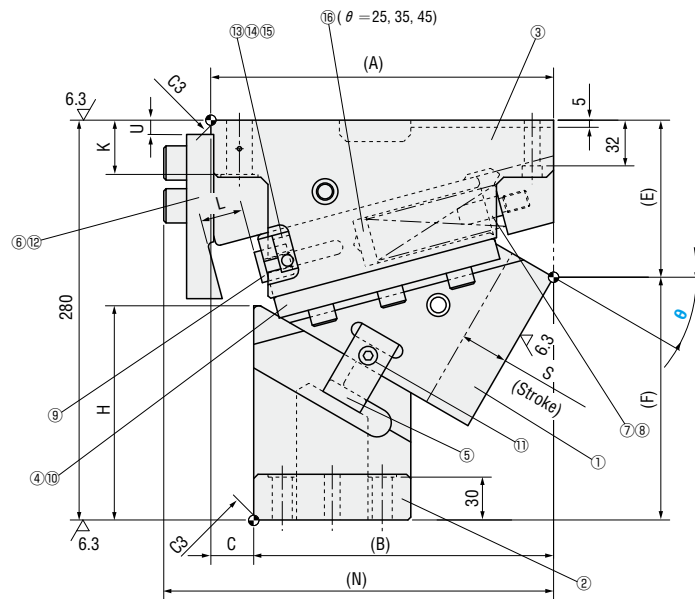
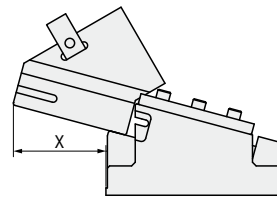
— MGFTT · MEFTT —



MGFTT100
MEFTT100 (Economy type)



■ Rear removal space



■ Components table P.1247

W	θ	A	B	C	E	F	H	K	L	N	V	U	t ₁	X				
100	00	240	180	60	85	195	95	38	40	273	100	55	17	83				
	05	236.89	176.89		73.82	206.18	81.1			269.89	140			95				
	10	240	180		90	190	120.2			273	100	35	115					
	15	254.35	194.35	81.51	198.49	105.6	287.35			140	15	126						
	20	240	190	50	110	170	130		20	32	274	100	15	18	130			
	25	253.26	203.26		102.60	177.40	113				287.26	140			17			
	30	240	210	30	110	170	150			30	30	273	120	10	17	132		
	35	252.34	222.34		109.69	170.31	140					285.34	140			16		
	40	240	210		115	165	160				273	120	142					
	45	247.41	217.41	10	114.68	165.32	155				20	20	280.41	140	10	16	142	
	50	240	240		120	160	160						272					140
	55	240	240	0	145	135	170					20	20	272	140	10	16	142
	60	240	240															
	65	240	240	0	145	135	180						20	20	272	140	10	16
70	240	240	180					160										

Slide Stroke S	Working force KN (tonf)		Spring load N (kgf)			Total weight kg	Catalog No.	W	θ	
	Standard working force	Max. working force	Preload	5mm before bottom dead center	Max. load					
28.3	44.1(4.5)	88.3(9.0)	315(32.1)	2388(243.5)	2835(289.1)	47.0	MGFTT MEFTT (Economy type)	100	00	
28.4				2576(262.7)		47.8			05	
33.3			147(15.0)	2650(270.2)	3091(315.2)	44.9			10	
33.9						2657(270.9)			47.1	15
30.9			176(18.0)	2540(259.0)	2999(305.8)	44.8			20	
32.0						2558(260.8)			46.5	25
33.5						2426(247.3)			44.1	30
35.4						2452(250.0)			45.4	35
39.0						2487(253.6)			45.4	40
42.3						2514(256.3)			41.7	45
46.7						2540(259.0)			41.2	50
52.3						2567(261.7)			44.0	55
60.0						2602(265.3)			42.5	60
47.3						552(56.3)			2528(257.8)	2760(281.4)
58.5	2572(262.3)	41.8	70							

Order

Price

Days to Ship

Alterations (HK · DK...etc.)

Alterations	Code	Spec.
	HK	Finish dowel hole on holder Only 12 or 13 can be specified φ11(Prepared hole) ⇒ φ12H7 or φ13H7
	DK	Finish dowel hole on driver Only 12 or 13 can be specified φ11(Prepared hole) ⇒ φ12H7 or φ13H7

Alterations	Code	Spec.
	HDK	Finish dowel holes on driver & holder Only 12 or 13 can be specified φ11(Prepared hole) ⇒ φ12H7 or φ13H7
	K	Add locating key (With 1 hexagon socket head cap screw M8×15)

CAM UNITS & COMPONENTS