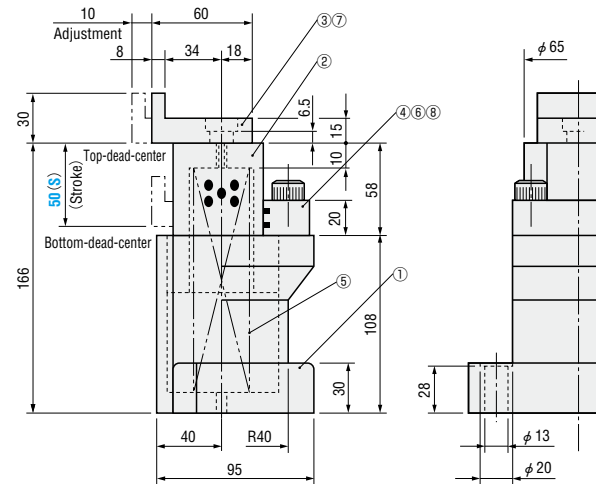
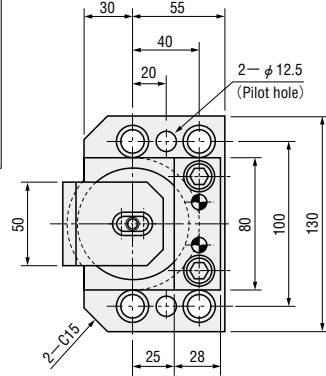
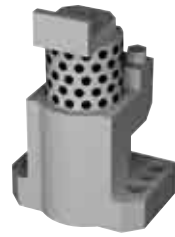


FLANGE LIFTERS

— OIL-FREE BASE MOUNTING TYPE —

FLSF50

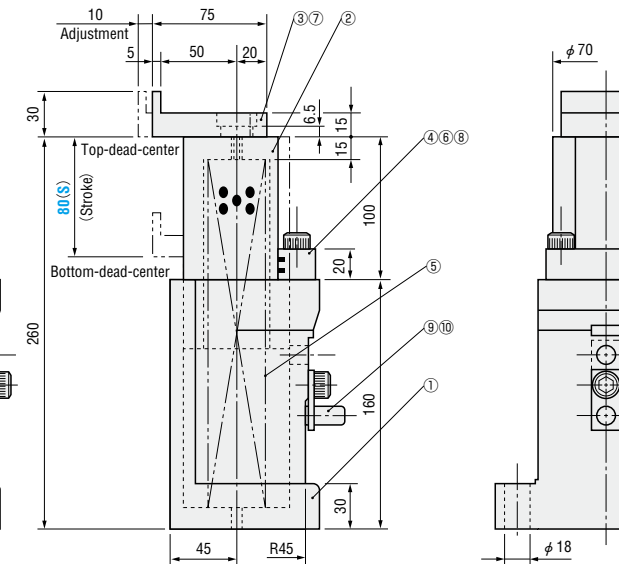
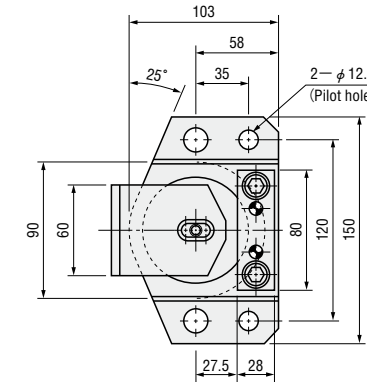


Components list

No.	Name	Qty.	Material & remarks
①	Base	1	FC250
②	Sliding guide bar	1	FC0450 + Special solid lubricant (embedded)
③	Lifter block	1	S45C
④	Stopper	1	S45C + Special solid lubricant (embedded)
⑤	Spring	1	X—SWF35—150
⑥	Hexagon socket head cap bolt	2	M12×40
⑦	Hexagon socket head cap bolt	1	M8×20
⑧	Dowel pin	2	φ 8×30

Spring		During installation		Final		Stroke S (mm)
O.D. (mm)	Free length (mm)	Length (mm)	Initial load (N)	Length (mm)	Max. load (N)	
35	150	138	154	88	794	50

FLSF80



Components list

No.	Name	Qty.	Material & remarks
①	Base	1	FC250
②	Sliding guide bar	1	FC0450 + Special solid lubricant (embedded)
③	Lifter block	1	S45C
④	Stopper	1	S45C + Special solid lubricant (embedded)
⑤	Spring	1	X—SWF40—250
⑥	Hexagon socket head cap bolt	2	M12×40
⑦	Hexagon socket head cap bolt	1	M8×20
⑧	Dowel pin	2	φ 8×40
⑨	Locking pin	1	SS400
⑩	Hexagon socket head cap bolt	1	M10×16

Spring		During installation		Final		Stroke S (mm)
O.D. (mm)	Free length (mm)	Length (mm)	Initial load (N)	Length (mm)	Max. load (N)	
40	250	230	200	150	1000	80



Order

Catalog No.	S
FLSF	50
FLSF	80



Days to Ship

Quotation



Price

Quotation



Alterations

Catalog No.	S	(W · T)
FLSF	50	W · T

Code

Spec.

T	⑤ Change to TOHATSU spring
W	④ Change stopper material to copper alloy with special solid lubricant