


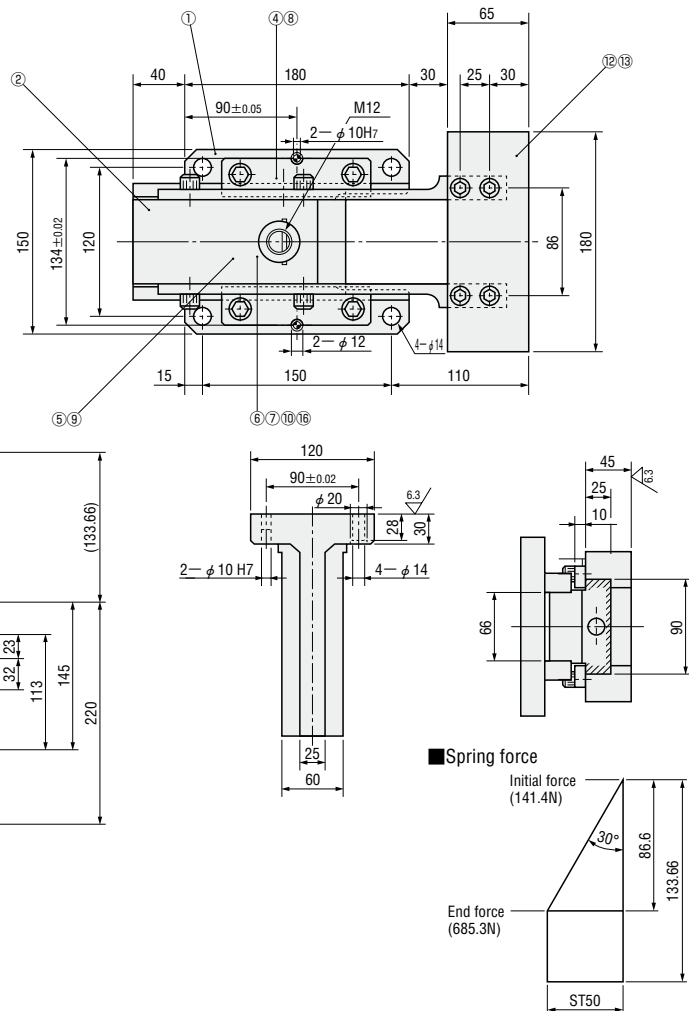
COIL SUPPORTS

—CAM TYPE—

DISAPPEARING GAUGES

—REGULAR STRAIGHT MOVING TYPE—

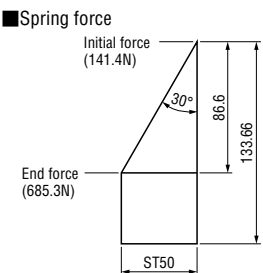
CSSC

■ Components


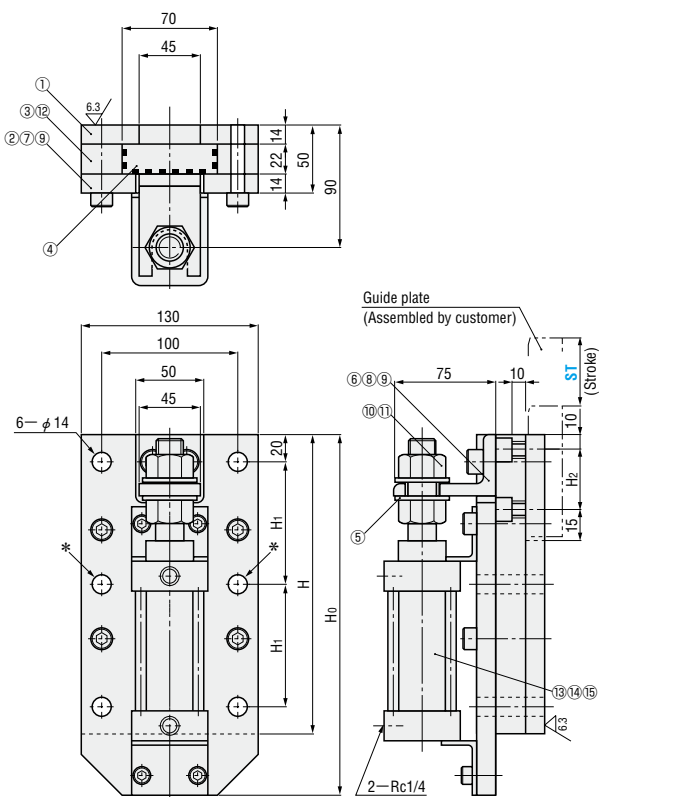
No.	Name	Quantity	Remarks
①	Base	1	FC250
②	Slider	1	FC250 Special solid lubricant (embedded)
③	Driver	1	FC250
④	Upper plate	2	Equivalent to SS400
⑤	Spring stopper	1	Equivalent to SS400
⑥	Guide pin	1	Equivalent to SS400
⑦	Rectangle spring	2	φ 30—65
⑧	Hexagon socket head cap bolt	4	M10×25
⑨	Set bolt	1	M6×10
⑩	Dowel pin	1	φ 6×30(m6)
⑪	Pressing block	2	Equivalent to SS400
⑫	Panel	1	Equivalent to SS400
⑬	Hexagon socket head cap bolt	4	M10×40
⑭	Hexagon socket head cap bolt	4	M12×35
⑮	Dowel pin	2	φ 10×30
⑯	Guide washer	1	S45C

■ Spring force



Initial force (141.4N)
End force (685.3N)
Stroke (ST) 50

DGFC

■ Components

No.	Name	Quantity	Remarks
①	Baseplate	1	Equivalent to SS400
②	Pressing plate	1	Equivalent to SS400
③	Side plate	2	Equivalent to SS400
④	Slide plate	1	S45C Special solid lubricant (embedded)
⑤	Link block	1	Equivalent to SS400
⑥	Bracket	1	Equivalent to SS400
⑦	Hexagon socket head cap bolt	4	M10×50
⑧	Hexagon socket head cap bolt	2	M12×25
⑨	Spring washer	4	For M10
⑩	Washer	2	
⑪	Nut	1	U nut
⑫	Dowel pin	4	φ 10×30
⑬	Spring pin	1	φ 6×15
⑭	Hexagon socket head cap bolt	4	M8×16
⑮	Cylinder	1	AIRTAC

■ When using

- Use disappearing gauges "DGFC" to the positioning of drawing die feed plate.
- The sliding part is already lubricated, it is unnecessary to apply any lubrication oil when using.
- The bolt holes on slide plate (④) is already tapped (Dimension H2) to facilitate the installation of disappearing gauge.

Order **CSSC** **50** (ST)

Days to Ship **Quotation**

Price **Quotation**

Alterations **CSSC** **50** (TF)

Alteration	Code	Spec.
Spring change	TF	Component ⑦ change to TOHATSU TF30—65 spring.

Order **DGFC** **150** (S)

Days to Ship **Quotation**

Price **Quotation**

Alterations **DGFC** **150** (S)

Alteration	Code	Spec.
Cylinder change	S	Change to SMC cylinder

LOCATING COMPONENTS FOR AUTOMOTIVE DIES