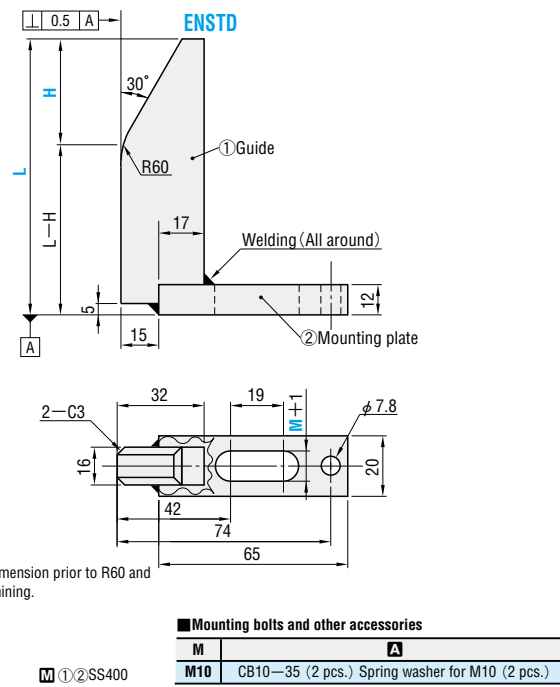


NEST GUIDES (WITH MOUNTING PLATES, CONFIGURABLE SHAPE) —ECONOMY TYPE—

NEST GUIDES (WITH MOUNTING PLATES, CONFIGURABLE LENGTH) —REINFORCED TYPE—



RoHS



■ Mounting bolts and other accessories	
M	A
M10	CB10-35 (2 pcs.) Spring washer for M10 (2 pcs.)

Catalog No.	L 5mm increments	H 5mm increments	Mounting bolt hole M	Base unit price 1~9 pieces
ENSTA	65~100	20~40	M10	Quotation
ENSTC	105~150			
ENSTD	155~200			

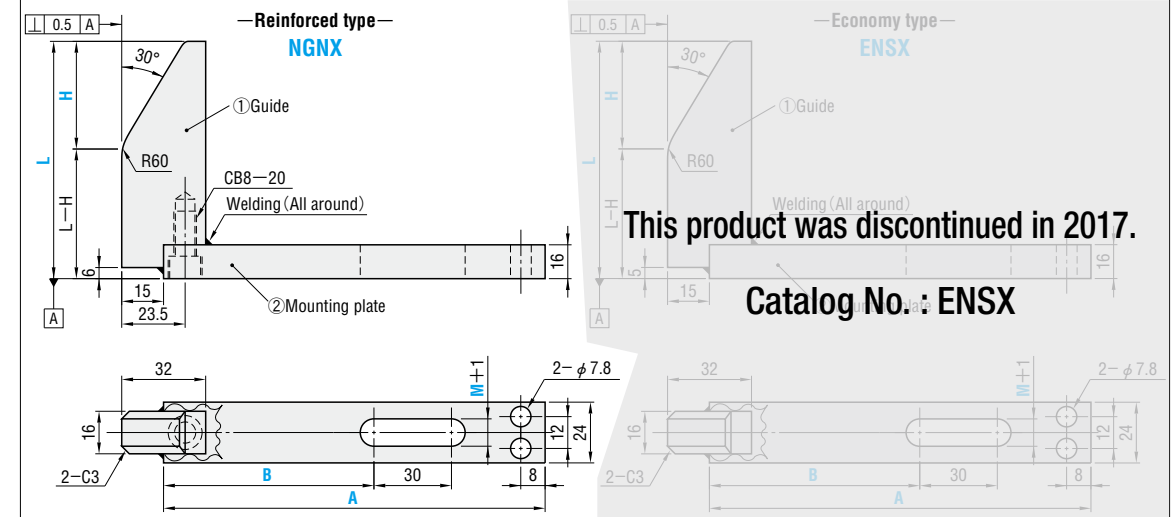
① The guide and the mounting plate ② are fastened by welding only.

Order Catalog No. - L - H - M
ENSTD - 185 - 40 - M10

Days to Ship Quotation



RoHS



Type	Catalog No.	①	②	■ Mounting bolts and other accessories
Reinforced type	NGNX	①S45C	②SS400	M
Economy type	ENSX	①SS400	②SS400	M10 CB10-35 (2 pcs.) Spring washer for M10 (2 pcs.)
				M12 CB12-35 (2 pcs.) Spring washer for M12 (2 pcs.)

H is the dimension at R60, before GRC machining.

Catalog No.	L 5mm increments	H 5mm increments	A 10mm increments	B 5mm increments	Mounting bolt hole M
Reinforced type NGNX	65~100	20~40	100~200	35 ≤ B ≤ A - 50	M10 M12
Economy type ENSX	105~150 155~200				

Reinforced type NGNX
① The guide ① and the mounting plate ② are fastened by welding and bolting.
② As the guide ① is made of S45C, it can be hardened by flame hardening by alteration HTC.

Order Catalog No. - L - H - A - B - M
NGNX - 150 - 40 - A150 - B80 - M12

Days to Ship Quotation

Alterations Catalog No. - L - H - A - B - M - (HTC-GRC-WSS-ENT)
NGNX - 150-40-A150-B80-M12- HTC

Price Quotation

Alteration	Code	Spec.	1Code
	HTC	① The guide is hardened. ② ~ 45HRC	
	GRC	The corner R (R60) of the guide is reduced. R10 ~ 30 10mm increments	Quotation
	WSS	Provided spring washers are changed to washers for oblong holes WSS (2 pcs.).	
	ENT	① The lower of a guide is extended. ② Height at the bottom is united with an mounting plate.	

LOCATING COMPONENTS FOR AUTOMOTIVE DIES