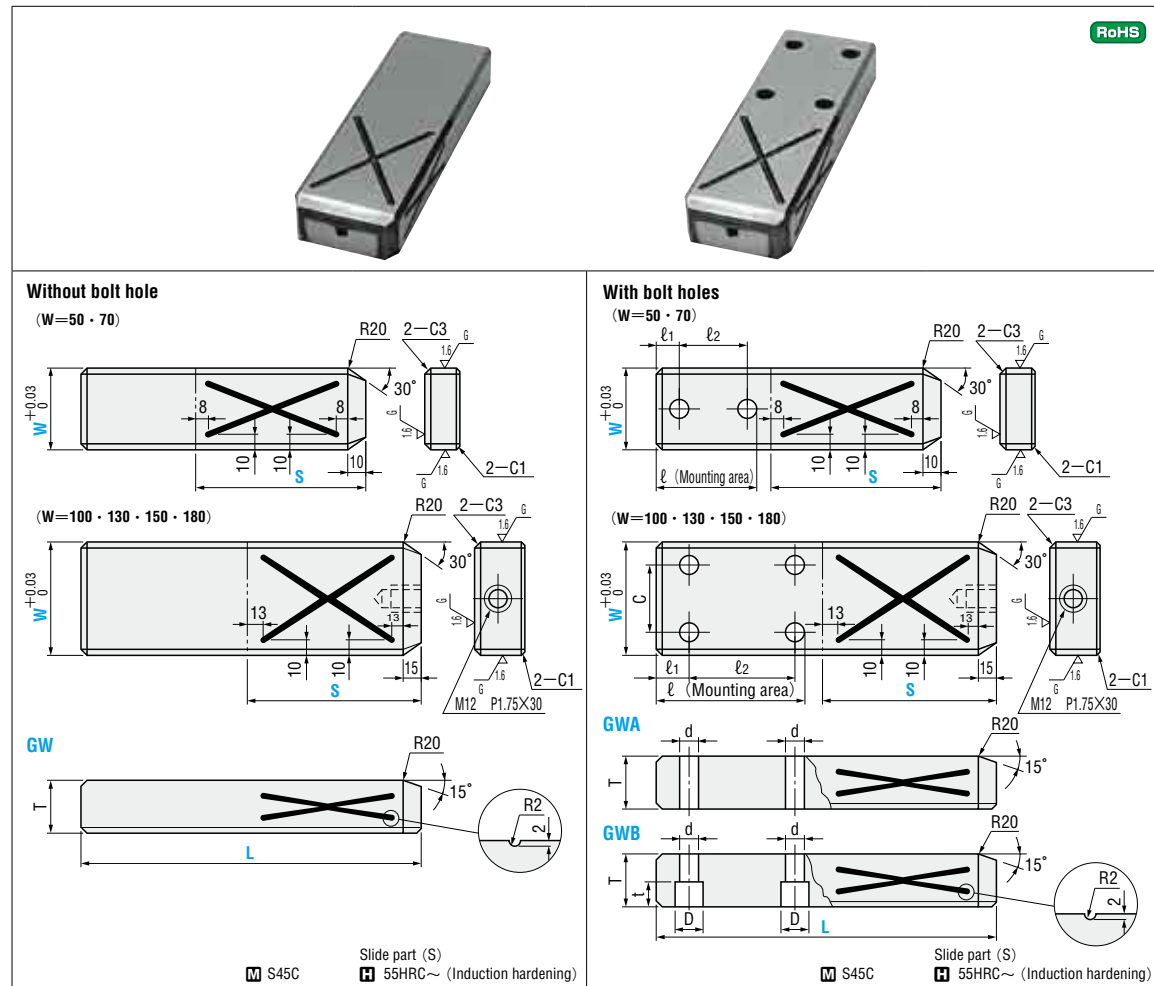
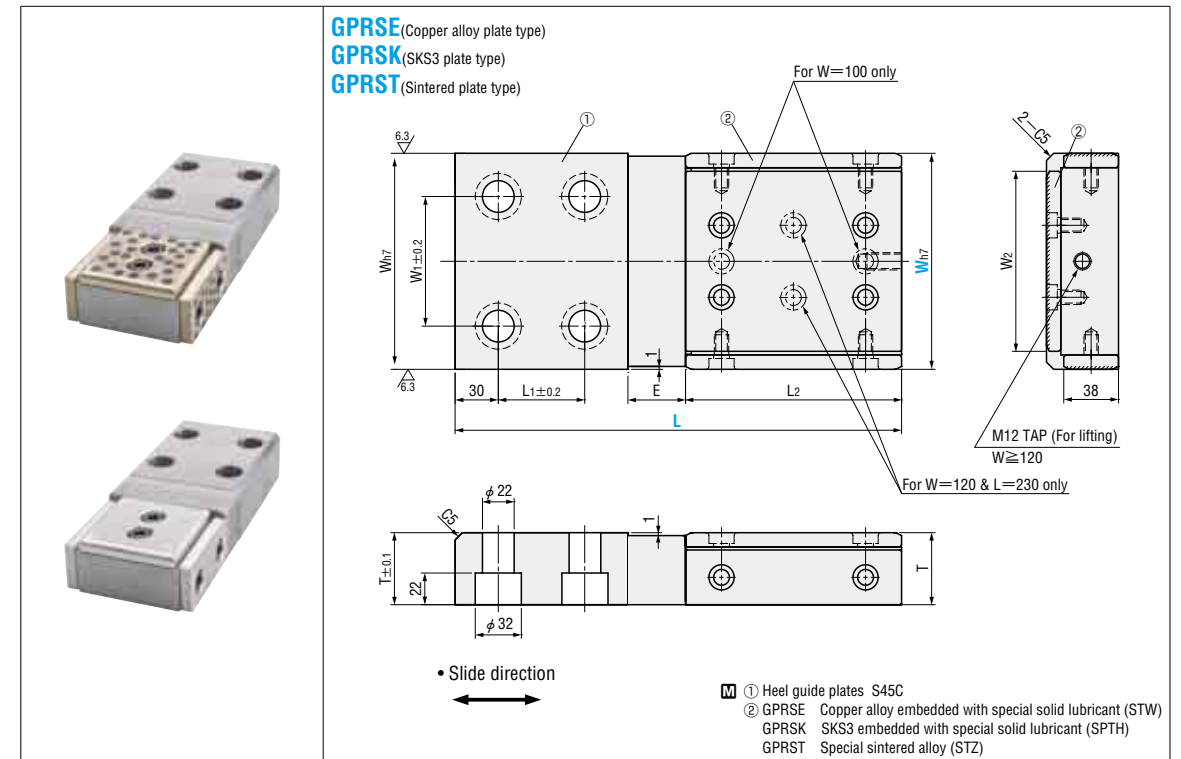


# HEEL GUIDE PLATES WITH OIL GROOVES

# HEEL GUIDE PLATES — OIL-FREE SLIDE PLATE CHANGABLE TYPE —



RoHS



T	GWA · GWB							Catalog No.		S	L 10mm increments
	ℓ	ℓ <sub>1</sub>	ℓ <sub>2</sub>	C	d	D	t	Type	W		
30	90	20	50	—	18	26	18	GW GWA GWB	50	60	150 ~ 180
35	110	25	60	—					90	190 ~ 250	
45	150	30	90	60	120	200 ~ 250					
50	150	30	90	80	180	270 ~ 320					
	180		120		300 ~ 380						
60	160	35	90	100	210	340 ~ 450					
	220		150		240	460 ~ 550					
	180		110		120	200	380 ~ 470				

Wh7	W1	W2	L1	L2	T	E	② Qty. of mounting bolts	Catalog No.	W	L
100	0 -0.035	60	75	60	75	45	6	GPRSE GPRSK GPRST	100	230
				100	125					280
			120	150	330					
			120	150	390					
120	0 -0.040	90	100	60	75	50	8		120	230
				100	125					280
			120	150	330					
			120	150	390					
150	0 -0.040	125	125	60	125	50	8		150	280
				100	125					330
			120	150	390					
			140	150	430					

Order Catalog No. — S — L  
GW 100 — 180 — 350

Price Quotation

Days to Ship Quotation

Order Catalog No. W — L  
GPRSE 100 — 280  
GPRSK 120 — 390  
GPRST 150 — 330

Days to Ship Quotation

Price Quotation