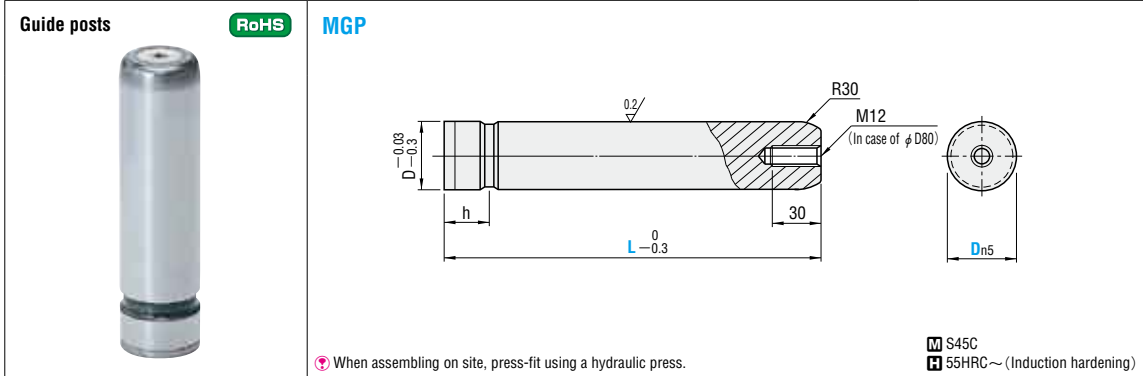


# GUIDE POSTS / GUIDE HOLDERS / GUIDE BUSHINGS



Dn5	h	Catalog No.		L	Base unit price 1~9 pieces
		Type	D		
20	+0.024 +0.015	15	20	80 90 100 110 120	
				130 140 150 160	
25	15	15	25	80 90 100 110 120	
				130 140 150 160 170 180 200	
32	+0.028 +0.017	20	32	90 100 110 120 130 140	
				150 160 170 180 200 220 250	
38	+0.028 +0.017	25	38	110 120 130 140 150 160 170 180	
				200 220 250 280 300	
50	+0.033 +0.020	32.5	50	160 170 180 200 220 250	
				280 300 350	
60	+0.033 +0.020	37.5	60	180 200 220 250 280 300	
				350 400	
80	+0.033 +0.020	50	80	250 280 300 350	
				400 450	

Order **Catalog No.** — **L**  
MGP 32 — 160  
MGH 32

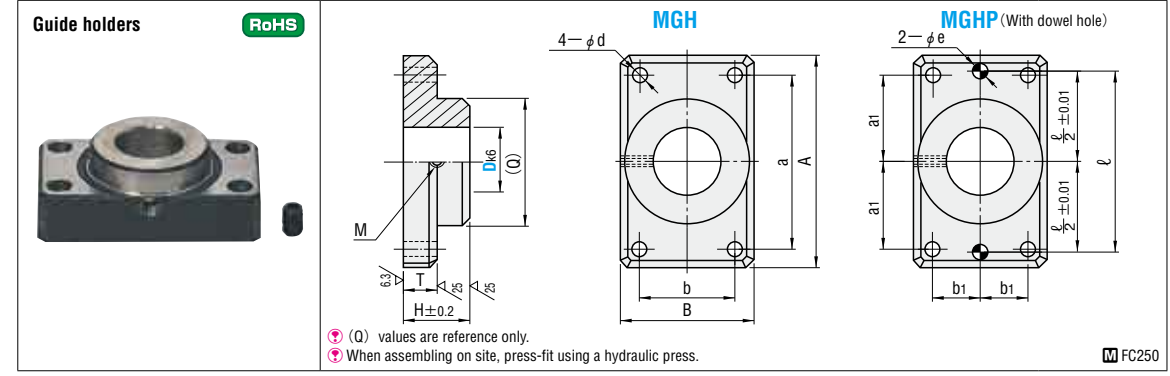
Price **Quotation**

Days to Ship **Quotation**

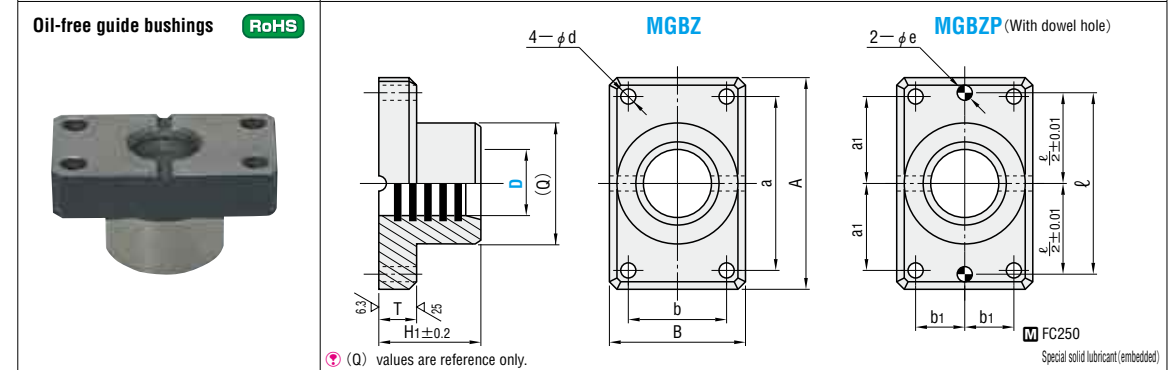
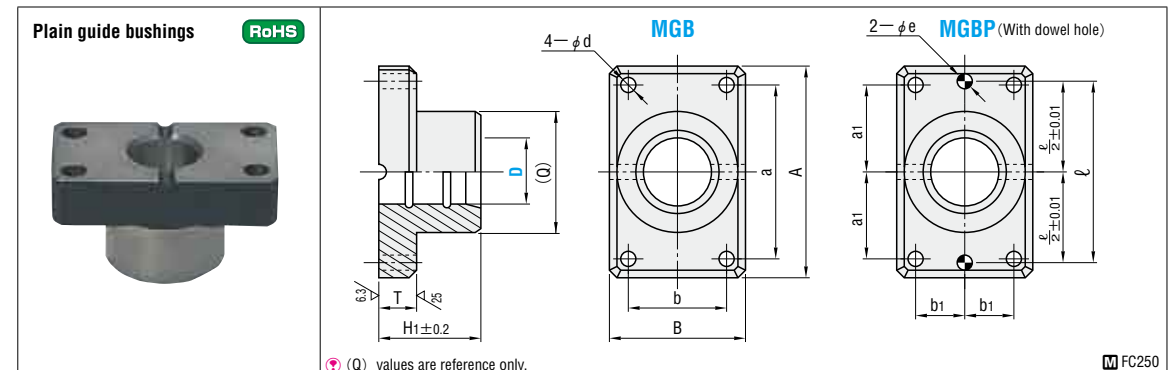
Alterations **Catalog No.** — **L(LC)** — (W·B...etc.)  
MGP80 — LC290 — B **Quotation**

Alteration	Code	Spec.	D	1Code
	LC	Post length change LC < L 1mm increments Details of alteration <b>P.944</b>	20·25·32 38·50 60·80	<b>Quotation</b>
	Bushing W	Machining for mounting of a stroke end block Tap holes are machined for attaching a stroke end block. ⊗ Cannot be used for D20. Details of alteration <b>P.944</b>	25·32 38·50 60·80	
	Holder M		25~80	

Alteration	Code	Spec.	D	1Code
	Bushing B	Machining of flange for reversed bushing and/or holder orientation Use of the reversed bushing and/or holder allows the die height to be reduced. ⊗ Alterations B and H can be combined at the same time. ⊗ The post length is measured from the holder bottom. Details of alteration <b>P.944</b>	20·25·32 38·50 60·80	<b>Quotation</b>
	Holder H			
	BKC	Bushing H <sub>1</sub> dimension tolerance change H <sub>1</sub> ± 0.2 ⇔ ± 0.1 ⊗ Cannot be used for D20.	25·32 38·50 60·80	<b>Quotation</b>
	HKC	Holder H dimension tolerance change H ± 0.2 ⇔ ± 0.1 ⊗ Cannot be used for D20.	25·32 38·50 60·80	



Catalog No. Type	Dn6	A	B	a	b	d	H	T	(Q)	M	eH7	ℓ	a <sub>1</sub>	b <sub>1</sub>	Base unit price 1~9 pieces		
															MGH	MGHP	
MGH	20	+0.002 -0.011	74	44	56	30	6.6	30	15	42	8	6	+0.012 0	56	28	15	
	25		84	48	66	30	9	30	20	46		8		66	33	15	
MGHP	32		100	58	76	36	11	40	20	56	12	10	+0.015 0	76	38	18	<b>Quotation</b>
	38	+0.003 -0.013	130	75	100	44	11	50	25	73				100	50	22	
	50		155	90	125	60	14	65	25	87				125	62.5	30	
	60	+0.004 -0.014	190	120	150	80	18	75	30	116				150	75	40	
80		230	150	180	110	22	100	35	145	16	+0.018 0	190	90	55			



Catalog No. Type	D	A	B	a	b	d	H <sub>1</sub>	T	(Q)	eH7	ℓ	a <sub>1</sub>	b <sub>1</sub>	Base unit price 1~9 pieces			
														MGB	MGBP	MGBZ	MGBZP
MGB	20	+0.041 +0.031	74	44	56	30	6.6	40	15	42	8	6	+0.012 0	56	28	15	
	25		84	48	66	30	9	45	20	46		8		66	33	15	
MGBP	32	+0.047 +0.037	100	58	76	36	11	50	20	56	10	10	+0.015 0	76	38	18	<b>Quotation</b>
	38	+0.049 +0.037	130	75	100	44	11	60	25	73				100	50	22	
	50	+0.052 +0.037	155	90	125	60	14	85	25	87				125	62.5	30	
	60	+0.061 +0.043	190	120	150	80	18	100	30	116				13	+0.018 0	150	
80	+0.063 +0.043	230	150	180	110	22	130	35	145	16		190	90	55			