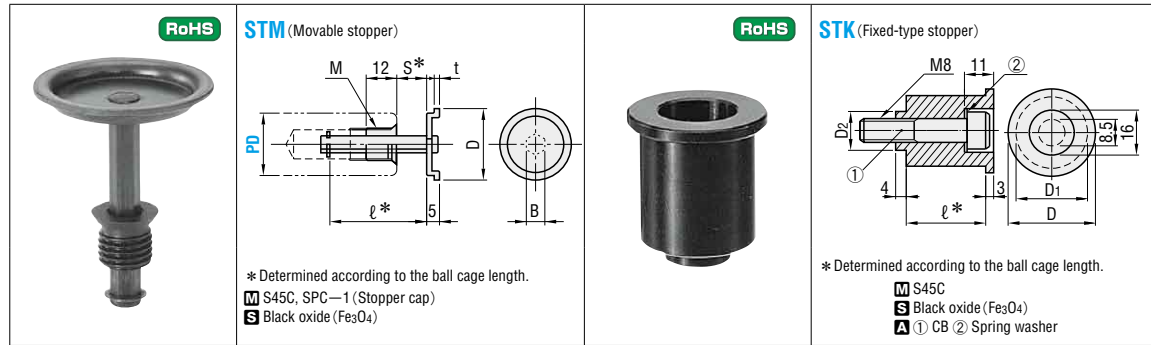


STOPPERS AND SPRINGS FOR BALL GUIDES

RINGS FOR PREVENTING CAGE LIFTING



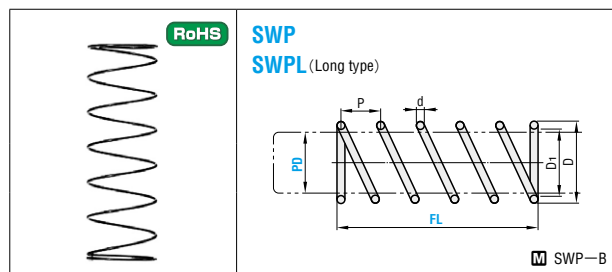
PD Post diameter	D	M×P	B	t	D ₁	D ₂	② A Spring washer	Catalog No. Type	L Ball cage length		Base unit price 1~9 pieces	
									PD	PD		
20	24	10×1.5	5	1.6	19	14	Nominal diameter according to JIS B1251-1984 is 8mm.	STM (Movable stopper)	20	50	Quotation	
22	26				21				22	50		60
25	29				24				25	60		75
28	33	12×1.5	6	27	28	60		75				
32	37			31	32	75		90				
38	44			37	38	75		90				
45	51	16×1.5	8	2.0	44	20		STK (Fixed stopper)	45	90		110
50	56				49				50	90		110
60	66				59				60	90		110

L Ball cage length	STM		STK	
	S	ℓ	ℓ	①CB
50	0~19	31	15	8~30
60	0~23	35	20	8~35
75	0~30	42	25	8~40
90	0~37	49	30	8~45
110	0~47	59	35	8~50

Order **STM** Catalog No. **STM 32** - L **90**

Days to Ship **Quotation**

Price **Quotation**



PD Post diameter	D	D ₁ ⁺¹ ₀	d	P
20	22.5	20.5	1.0	14
22	24.5	22.5	1.0	14
25	27.9	25.5	1.2	14
28	31.3	28.5	1.4	16
32	35.7	32.5	1.6	16
38	42.5	38.5	2.0	18
45	50.1	45.5	2.3	20
50	55.7	50.5	2.6	20
60	66.9	60.5	3.2	20

● Solid height = $\frac{FL \times d}{P} + 2d$

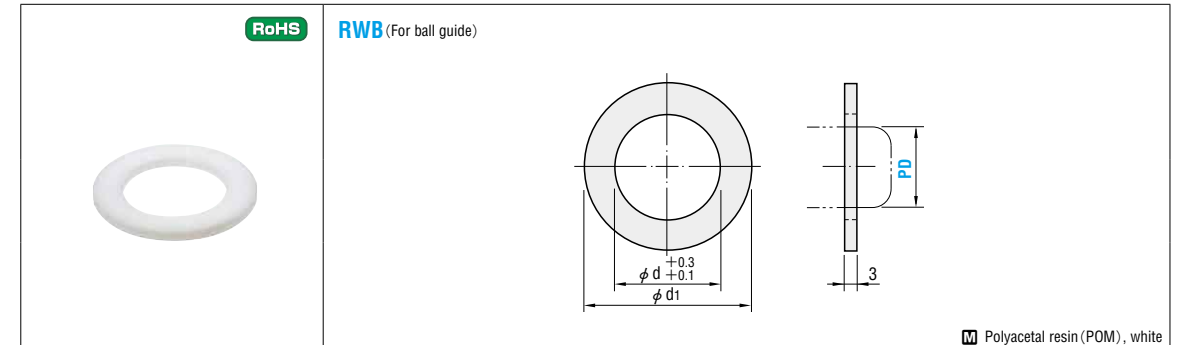
Order **SWP** Catalog No. **SWP 32** - FL **100**

Days to Ship **Quotation**

Catalog No. Type	PD	FL 10mm increments		Base unit price 1~9 pieces
		FL	FL	
SWP	20	40 ~ 90	Quotation	
		100 ~ 140		
	22	40 ~ 90		
		100 ~ 140		
	25	40 ~ 90		
		100 ~ 150		
	28	50 ~ 90		
		100 ~ 150		
	32	70 ~ 140		
		150 ~ 190		
38	80 ~ 140			
	150 ~ 190			
45	80 ~ 140			
	150 ~ 190			
50	80 ~ 140			
	150 ~ 190			
60	80 ~ 140			
	150 ~ 190			

Catalog No. Type	PD	FL 10mm increments		Base unit price 1~9 pieces
		FL	FL	
SWPL (Long type)	20	150 ~ 190	Quotation	
		200 ~ 240		
	22	150 ~ 190		
		200 ~ 240		
	25	160 ~ 200		
		210 ~ 260		
	28	160 ~ 200		
		210 ~ 260		
	32	200 ~ 220		
		230 ~ 260		
38	200 ~ 240			
	250 ~ 300			
45	200 ~ 240			
	250 ~ 300			
50	200 ~ 240			
	250 ~ 300			
60	200 ~ 240			
	250 ~ 300			

Price **Quotation**



Inner diameter d	Outer diameter d1	Catalog No. Type	PD	Base unit price 1~9 pieces
20	35 +1.5	RWB (For ball guide)	20	Quotation
22	35 +0.3		22	
25	40 +2.0		25	
28	45 +0.5		28	
32	50 +0.5		32	
38	60 +3.0		38	
45	70 +1.0		45	
50	75 +1.0		50	
60	85 +4.0		60	

Order **RWB** Catalog No. **RWB 25**

Days to Ship **Quotation**

Price **Quotation**

Features Prevents lifting of the cage caused by the upward force of the spring, extending the lifetimes of guide post and bushing.

