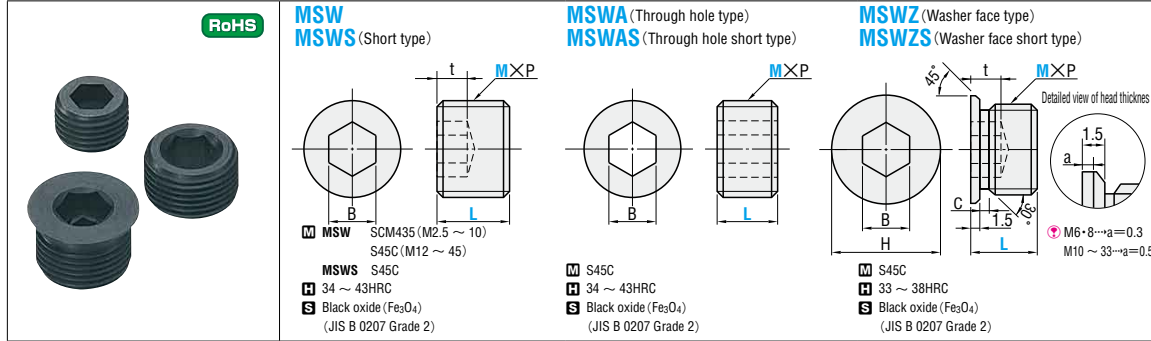


SCREW PLUGS

SCREW PLUGS — HOLE TYPE —

⊕ M2.5 ~ M10 coarse thread, M12 ~ M45 fine thread (pitch 1.5)



Standard type				Catalog No. Type	M	Base unit price 1 ~ 299 pcs.	Volume discount unit price 300 ~ 499 / 500 ~ 999 / 1000 ~ 2000
M×P	L	B	t				
2.5	0.45	3	1.3	2.5			
3	0.5	3	1.5	3*			
4	0.7	4	2	4*			
5	0.8	5	2.5	5*			
6	1.0	6	3	6			
8	1.25	8	4	8			
10	1.5		5	10			
12		10	6	12			
14		8	5.5	14			
16		10		16			
18		12		18			
20		14		20			
22		16		22			
24		18		24			
25		20		25			
26		22		26			
27		24		27			
28		26		28			
30		28		30			
33		30		33			
36		33		36			
38		36		38			
40		40		40			
42		42		42			
45		45		45			

Short type				Catalog No. Type	M-L	Base unit price 1 ~ 299 pcs.	Volume discount unit price 300 ~ 499 / 500 ~ 999 / 1000 ~ 2000
M×P	L	B	t				
8	1.25	4	4	8-6			
10	1.5	5	5	10-6			
12		6	3	12-6			
14		8		14-6			
16		10		16-6			
18		12		18-6			
20		14		20-8			
22		16		22-8			
24		18		24-8			
25		20		25-8			
26		22		26-8			
27		24		27-8			
28		26		28-8			
30		28		30-8			
33		30		33-8			

Through hole				Catalog No. Type	M-L	Base unit price 1 ~ 299 pcs.	Volume discount unit price 300 ~ 499 / 500 ~ 999 / 1000 ~ 2000
M×P	L	B	t				
8	1.25	4	4	8-6			
10	1.5	5	5	10-6			
12		6	6	12-6			
14		8	6	14-6			
16		10	8	16-6			
18		12	10	18-6			
20		14	10	20-8			
22		16	12	22-8			
24		18	14	24-8			
25		20	14	25-8			
26		22	14	26-8			
27		24	14	27-8			
28		26	14	28-8			
30		28	17	30-8			
33		30	17	33-8			

Washer face				Catalog No. Type	M-L	Base unit price 1 ~ 99 pcs.	Volume discount unit price 100 ~ 199 / 200 ~ 299 / 300 ~ 500
M×P	L	B	t				
10	1.5	5	13	10-10			
12		6	15	12-10			
14		8	17	14-10			
16		10	19	16-10			
18		12	21	18-10			
20		14	23	20-10			
22		16	25	22-10			
24		18	27	24-10			
25		20	28	25-10			
26		22	29	26-10			
27		24	30	27-10			
28		26	31	28-10			
30		28	33	30-12			
33		30	36	33-12			

⊕ Compared with the standard type, the short type (MSW-MSWA-MSWZ) has a shorter L dimension and fewer threads. When using this type, pay attention to the load that is applied to the screw plug and to the material of the plate where the tap hole will be machined.

Standard type				Catalog No. Type	M	Base unit price 1 ~ 299 pcs.	Volume discount unit price 300 ~ 499 / 500 ~ 999 / 1000 ~ 2000
M×P	L	B	t				
8	1.25	8	4	8			
10	1.5		5	10			
12		10	6	12			
14		8		14			
16		10		16			
18		12		18			
20		14		20			
22		16		22			
24		18		24			
25		20		25			
26		22		26			
27		24		27			
28		26		28			
30		28		30			
33		30		33			

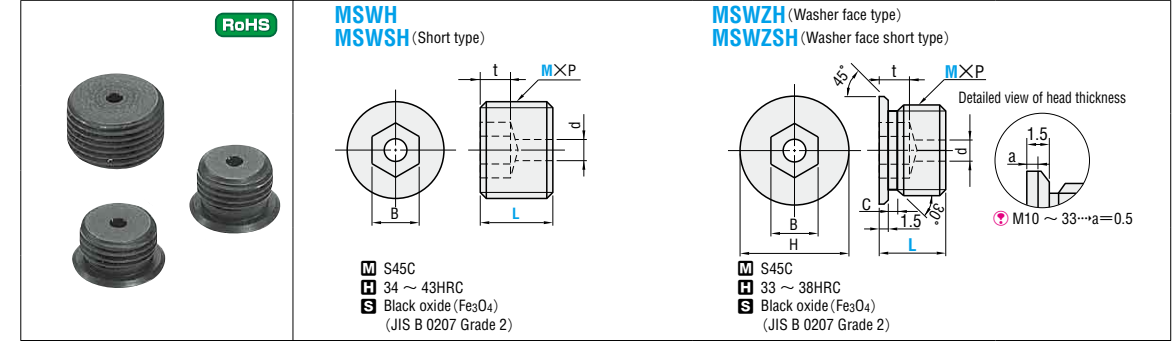
Order **Catalog No.**
MSW 18
MSWA 18-6

Days to Ship **Quotation**

Example **MSWZ** (Washer face) Short type

Order **Catalog No.**
MSW 18
MSWA 18-6

Days to Ship **Quotation**



Standard type				Catalog No. Type	M	Base unit price 1 ~ 299 pcs.	Volume discount unit price 300 ~ 499 / 500 ~ 999 / 1000 ~ 2000
M×P	L	B	t				
12		6	5	12			
14		8		14			
16		10		16			
18		12		18			
20		14		20			
22		16		22			
24		18		24			
25		20		25			
26		22		26			
27		24		27			
28		26		28			
30		28		30			
33		30		33			

Short type				Catalog No. Type	M-L	Base unit price 1 ~ 299 pcs.	Volume discount unit price 300 ~ 499 / 500 ~ 999 / 1000 ~ 2000
M×P	L	B	t				
12		6	3	12-6			
14		8		14-6			
16		10		16-6			
18		12		18-6			
20		14		20-8			
22		16		22-8			
24		18		24-8			
25		20		25-8			
26		22		26-8			
27		24		27-8			
28		26		28-8			
30		28		30-8			
33		30		33-8			

Through hole				Catalog No. Type	M	Base unit price 1 ~ 99 pcs.	Volume discount unit price 100 ~ 200
M×P	L	B	t				
10		5	13	10-10			
12		6	15	12-10			
14		8	17	14-10			
16		10	19	16-10			
18		12	21	18-10			
20		14	23	20-10			
22		16	25	22-10			
24		18	27	24-10			
25		20	28	25-10			
26		22	29	26-10			
27		24	30	27-10			
28		26	31	28-10			
30		28	33	30-12			
33		30	36	33-12			

Washer face				Catalog No. Type	M-L	Base unit price 1 ~ 99 pieces	Volume discount unit price 100 ~ 200
M×P	L	B	t				
10		5	13	10-10			
12		6	15	12-10			
14		8	17	14-10			
16		10	19	16-10			
18		12	21	18-10			
20		14	23	20-10			
22		16	25	22-10			
24		18	27	24-10			
25		20	28	25-10			
26		22	29	26-10			
27		24	30	27-10			
28		26	31	28-10			
30		28	33	30-12			
33		30	36	33-12			

Order **Catalog No.**
MSWZH 30
MSWSH 18-6

Days to Ship **Quotation**

Example **MSWZ** (Washer face) Short type

Order **Catalog No.**
MSW 18
MSWA 18-6

Days to Ship **Quotation**

MSW: Shape and dimensions of dimple

Approx. 120°

Catalog No.	dz max.
MSW3	1.4
MSW4	2.0
MSW5	2.5

⊕ The ends of MSW3-4-5 are "dimple types". Use caution.

MSW: The tightening position can be adjusted easily.

Through hole type: Can be fastened together with MSW, allowing it to be used as a double nut.

Short type: Because the L dimension is short, this type can be used in locations where there is little space. Because the short types have fewer threads, pay attention to the load that is applied to the screw and to the material of the plate where the tap hole will be machined.

Washer face type: The washer face part is effective in preventing loosening. The chamfering depth W can be used to prevent spring over-tightening.

Hole type: Air and oil escape through the hole, preventing problems with pin operation.