


END RETAINER SETS FOR NC MACHING

—FOR HEAVY-LOAD PUNCHES—

END RETAINER SETS FOR EDGE-MATCHING MACHING


—FOR HEAVY-LOAD PUNCHES—

For round punch




Catalog No.	Retainer No.	Components				
		①	②	③	④	⑤
AP-AP	AA1	○	○	○	○	○
APAR	AA2	○	○	○	○	○
BPC	—	○	○	○	○	○
AP-AN	AA3	○	○	○	○	○

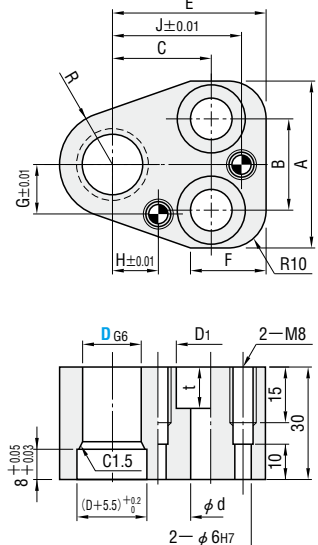
For shaped punch



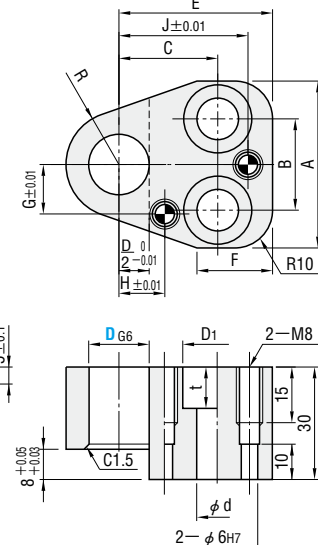
Catalog No.	Retainer No.	Components				
		①	②	③	④	⑤
AP-FP	AF1	○	○	○	○	○
APFR	AF2	○	○	○	○	○
BPC	—	○	○	○	○	○
AP-FN	AF3	○	○	○	○	○



—For round punch—




—For shaped punch—




① S45C
 ② Black oxide (Fe₃O₄)
 ③ Equivalent to SCM440
 ④ 56~60HRC
 ⑤ Hexagon socket head cap screw (with loosening prevention treatment)

For round punch




Catalog No.	Retainer No.	Components				
		①	②	③	④	⑤
FP-AP	FA1	○	○	○	○	○
FPAR	FA2	○	○	○	○	○
BPC	—	○	○	○	○	○
FP-AN	FA3	○	○	○	○	○

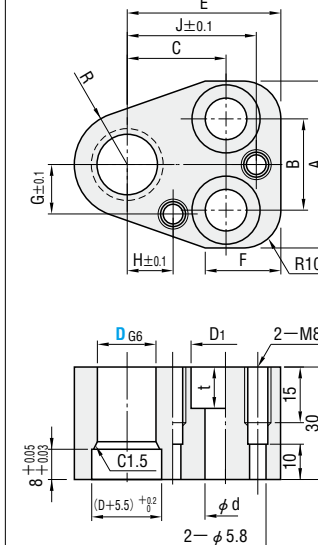
For shaped punch



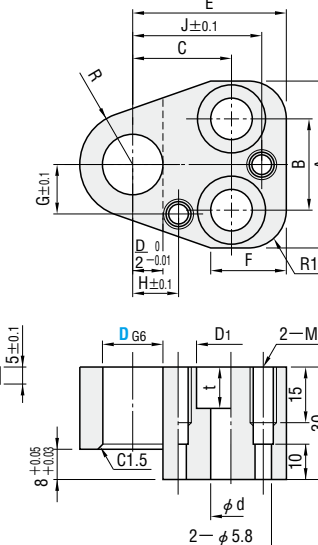
Catalog No.	Retainer No.	Components				
		①	②	③	④	⑤
FP-FP	FF1	○	○	○	○	○
FPFR	FF2	○	○	○	○	○
BPC	—	○	○	○	○	○
FP-FN	FF3	○	○	○	○	○



—For round punch—



—For shaped punch—



① S45C
 ② Black oxide (Fe₃O₄)
 ③ Equivalent to SCM440
 ④ 56~60HRC
 ⑤ Hexagon socket head cap screw (with loosening prevention treatment)

Catalog No.		D	D _{G6}	A	B	C	E	F	G	H	J	R	D ₁	d	d ₁	t	A ③④⑤
Type	D																
For round punch	For shaped punch	10	+0.014 +0.005	37	20	21	35	20	10	9	29	9.5	14	9	10	10	③ M8-40 ④ MSTM6-30 ⑤ MSW8
AP-AP (①②③④⑤)	AP-FP (①②③④⑤)	13	+0.017 +0.006	43	26	23	38		13	11	32	12					
APAR (①③④⑤)	APFR (①③④⑤)	16		44	24	26	40		16	12	34	14					
BPC (②)	BPC (②)	20	+0.020 +0.007	48	28	27	42		17	14	36	17					
AP-AN (①)	AP-FN (①)	25		50	30	30	46	18	17	39	19.5	17	11	12	14	③ M10-40 ④ MSTM6-30 ⑤ MSW8	

Catalog No.		D	D _{G6}	A	B	C	E	F	G	H	J	R	D ₁	d	d ₁	t	A ③④⑤
Type	D																
For round punch	For shaped punch	10	+0.014 +0.005	37	20	21	35	20	10	9	29	9.5	14	9	10	10	③ M8-40 ④ MSTM6-30 ⑤ MSW8
FP-AP (①②③④⑤)	FP-FP (①②③④⑤)	13	+0.017 +0.006	43	26	23	38		13	11	32	12					
FPAR (①③④⑤)	FPFR (①③④⑤)	16		44	24	26	40		16	12	34	14					
BPC (②)	BPC (②)	20	+0.020 +0.007	48	28	27	42		17	14	36	17					
FP-AN (①)	FP-FN (①)	25		50	30	30	46	18	17	39	19.5	17	11	12	14	③ M10-40 ④ MSTM6-30 ⑤ MSW8	

 Order

Catalog No.
AP-AP 10

 Price

Quotation

 Days to Ship

Quotation

 Order

Catalog No.
FP-AP 10

 Price

Quotation

 Days to Ship

Quotation

RETAINERS