
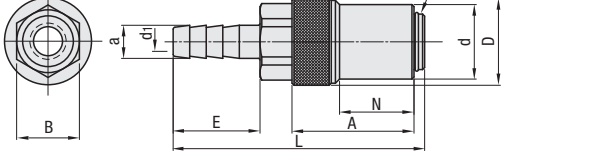

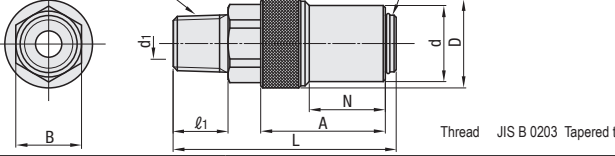

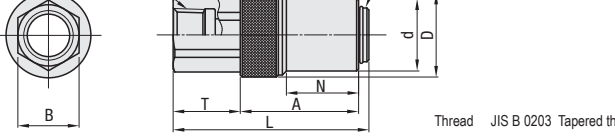


# MOLD COUPLING

—SOCKET • PLUG— ~HEAT RESISTANCE 180°C~


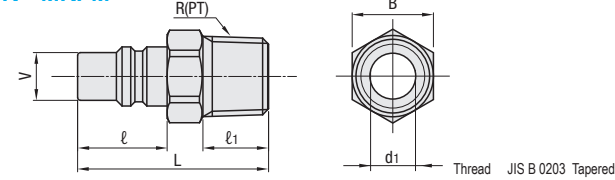
Compatible with MISUMI mold couplers.

## Sockets

	<p><b>RoHS</b></p> <p>For hose attachment <b>10PACK—MKSH</b> (Heat resistant 180°C • with a valve)</p>  <p>Plug connector (Hole diameter V)</p> <p>M Brass (C3604)</p>
	<p><b>RoHS</b></p> <p>For female screw joint <b>10PACK—MKSM</b> (Heat resistant 180°C • with a valve)</p>  <p>Plug connector (Hole diameter V)</p> <p>M Brass (C3604)</p> <p>Thread JIS B 0203 Tapered thread for tubing R(PT)</p>
	<p><b>RoHS</b></p> <p>For male screw joint <b>10PACK—MKSF</b> (Heat resistant 180°C • with a valve)</p>  <p>Plug connector (Hole diameter V)</p> <p>M Brass (C3604)</p> <p>Thread JIS B 0203 Tapered thread for tubing Rc(PT)</p>

Matching Plug	Plug connection parts						L	d1	Allen side B	For hose		Tapered male thread R(PT)	ℓ1	Tapered female screw Rc(PT)	T	Part Number		U/Price
	Hole diameter (V)	d	D	A	N	a				E	Type					No.	10PACKS	
<ul style="list-style-type: none"> <li>Mold coupling</li> <li>Mold Couplers tip diameter V=8</li> <li>Common to all sizes</li> </ul>	8	18	21	29.5	18	60.8	5	17	8	21	—	—	—	—	—	<b>10PACK—MKSH</b>	2	<b>Quotation</b>
						7	12		—	—	<b>10PACK—MKSM</b>	3						
						52.8	6.5		—	—						1/4	13	
																3/8	—	
48.8	—	—	—	—	—	1/4	16.5	<b>10PACK—MKSF</b>	2									

## Plugs

	<p><b>RoHS</b></p> <p><b>10PACK—MKPM</b> (Hexagonal head type) <b>30PACK—MKPM</b></p>  <p>Plug connector (Hole diameter V)</p> <p>M Brass (C3604)</p> <p>Thread JIS B 0203 Tapered thread for tubing R(PT)</p>
---	--

Matching socket	Socket connection section		L	Allen side B	Inner dia. d1	Tapered thread R(PT)	ℓ1	Part Number		U/Price	
	Hole diameter (V)	ℓ						Type	No.	10PACKS	30PACKS
<ul style="list-style-type: none"> <li>Mold coupling</li> <li>Mold coupler</li> <li>Socket hole diameter V=8</li> <li>Common to all sizes</li> </ul>	8	15	31	12	6	1/8	10	<b>10PACK—MKPM</b> <b>30PACK—MKPM</b>	1	<b>Quotation</b>	
			32	14		1/4	11				
			35	19		3/8	14				

Use in atmospheric pressure 980kPa (10kgf/cm<sup>2</sup>) or lower.  
Heat resistance is 180°C, and it can be used for both water and oil.



Order

Part Number  
**10PACK—MKSH2**



Days to Ship


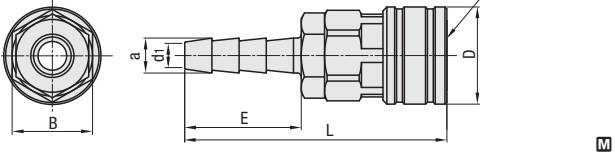

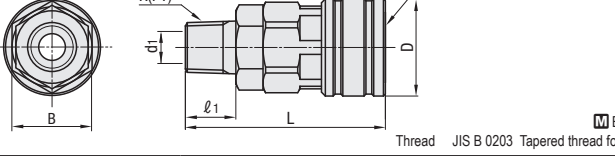

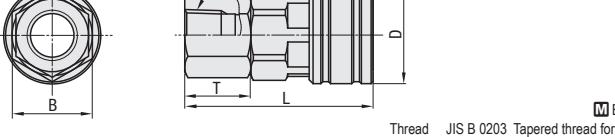
**Quotation**

# MOLD HIGH COUPLING

—SOCKET • PLUG— ~HEAT RESISTANCE 180°C~


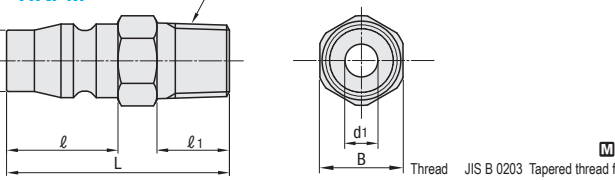
Compatible with MISUMI high couplers for cooling water pipe.

## Sockets

	<p><b>RoHS</b></p> <p>For hose attachment <b>10PACK—HKSH</b> (Heat resistant 180°C)</p>  <p>Plug connector (Hole diameter V)</p> <p>M Brass (C3604)</p>
	<p><b>RoHS</b></p> <p>For female screw joint <b>10PACK—HKSM</b> (Heat resistant 180°C)</p>  <p>Plug connector (Hole diameter V)</p> <p>M Brass (C3604)</p> <p>Thread JIS B 0203 Tapered thread for tubing R(PT)</p>
	<p><b>RoHS</b></p> <p>For male screw joint <b>10PACK—HKSF</b> (Heat resistant 180°C)</p>  <p>Plug connector (Hole diameter V)</p> <p>M Brass (C3604)</p> <p>Thread JIS B 0203 Tapered thread for tubing Rc(PT)</p>

Matching Plug	Plug connection parts		L	d1	Allen side B	For hose		Tapered male thread R(PT)	ℓ1	Tapered female screw Rc(PT)	T	Part Number		U/Price		
	Hole diameter (V)	D				a	E					Type	No.		10PACKS	
<ul style="list-style-type: none"> <li>Mold coupling</li> <li>High coupler tip diameter V=10.9</li> </ul>	10.9	25	67.5	5	21	9	30	—	—	—	—	<b>10PACK—HKSH</b>	2	<b>Quotation</b>		
			67.5	7.5		11.2	30									
			51.5	7		—	—								1/4	13
															3/8	14
			48.5	—		—	—								—	1/4

## Plugs

	<p><b>RoHS</b></p> <p><b>10PACK—HKPM</b> (Hexagonal head type) <b>30PACK—HKPM</b></p>  <p>Plug connector (Hole diameter V)</p> <p>M Brass (C3604)</p> <p>Thread JIS B 0203 Tapered thread for tubing R(PT)</p>
---	---

Matching sockets	Socket connection section		L	Allen side B	Inner dia. d1	Tapered thread R(PT)	ℓ1	Part Number		U/Price	
	V	ℓ						Type	No.	10PACKS	30PACKS
<ul style="list-style-type: none"> <li>Mold coupling</li> <li>High coupler socket hole diameter V=10.9</li> </ul>	10.9	20	36	14	7.5	1/8	10	<b>10PACK—HKPM</b> <b>30PACK—HKPM</b>	1	<b>Quotation</b>	
			40			1/4	13				
			41			3/8	14				

Use in atmospheric pressure 980kPa (10kgf/cm<sup>2</sup>) or lower.  
Heat resistance is 180°C, and it can be used for both water and oil.



Order

Part Number  
**10PACK—HKSH2**



Days to Ship

**Quotation**