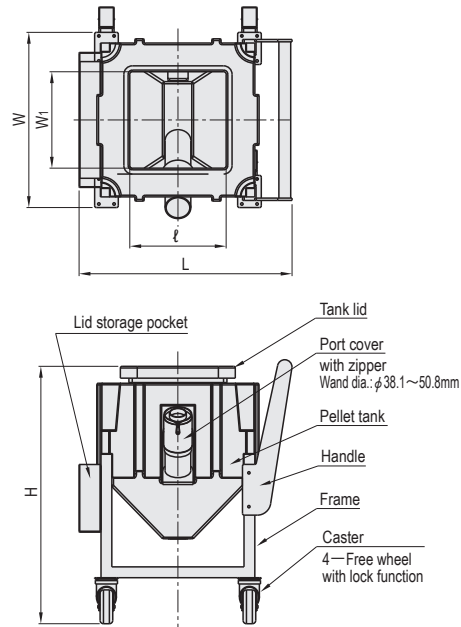


PELLET TANK



M-RB



Material Body: HDPE

W	W ₁	L	ℓ	H	Load weight (kg)	Product weight (kg)	Part Number	Unit price
518	285	630	285	760	36	18	M-RB75LX	1~3 pcs
613	380	735	380	970	71	35	M-RB150LX	Quotation

Order Part Number M-RB75LX

Days to Ship Quotation

- Features**
- It is space-saving as it can be stacked. (Up to 3 levels with empty tank)
 - Casters have locking function.
 - Since the air hopper loader can be inserted fully, it allows extraction with no material residue.

Function Description

[Cover for port]

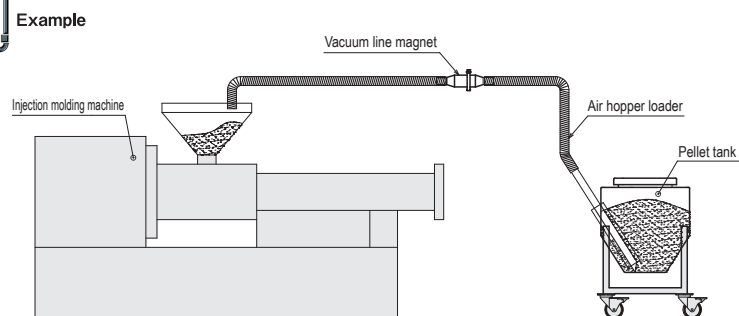


It is a cover with zipper. When a pick up wand is not used, impurities such as dust will not enter if the zipper is closed.

[Lid storage pocket]



It is possible to store the lid of the tank.

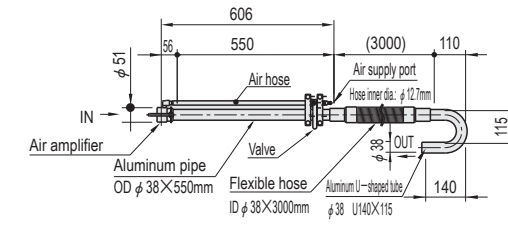


AIR HOPPER LOADER / PLATEN HOSE CLIP

Air Hopper Loader



M-HOPVAC95308



Max. transport volume	22kg/min
Max. flow rate	425L/min
Air pressure	0.55MPa
Inlet inner diameter	φ20.3
Body weight	2600g

Part Number	Unit price
M-HOPVAC95308	1 pc Quotation

- Connection Targets**
- Air amplifier: Material storage such as material tanks (Air amplifier placed at the bottom of the material tank)
 - Aluminum U-shaped tube: Hopper for injection molding machine (Hook the U-shaped part on the hopper)

Order Part Number M-HOPVAC95308 Days to Ship Quotation

How to use

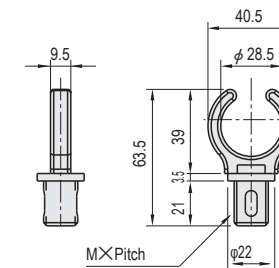
- Connect air piping to the air supply port. Air pressure: 0.55 MPa (pressure gauge is not attached to this product).
- Position the air amplifier downward, set it in the material tank, and hook the aluminum U-shaped tube on the opposite side to the hopper.
- Make sure that the material is in the material tank and open the stopper of the ball valve next to the air supply port.
- Material transport will start, and the transporting speed can be adjusted by opening and closing the valve.

Application Extends the hose life by preventing wear and bending of the hose. There is a screw size that fits most platens.

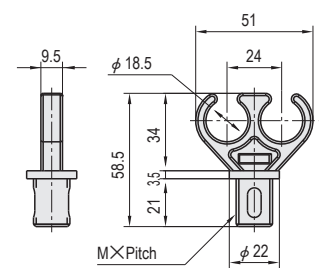
Platen Hose Clip



M-PHC1



M-PHC2



Screw size (M×P)	Applicable external diameter of hose (φ)	Quantity (pcs)	Part Number		Unit price
			Type	No.	
12×1.75 14×2.0 16×2.0 20×2.5	16~29	10	M-PHC1	12	Quotation
				14	
				16	
				20	
12×1.75 14×2.0 16×2.0 20×2.5	9.5~19	10	M-PHC2	12	
				14	
				16	
				20	

Order Part Number Type No M-PHC1 - 12 M-PHC2 - 12

Days to Ship Quotation