


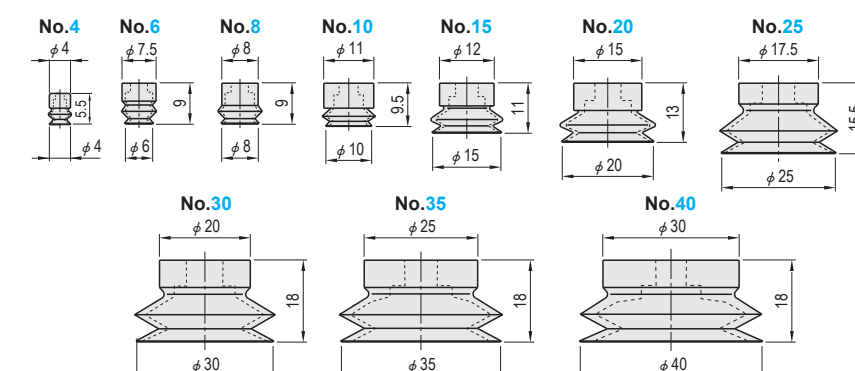
SUCTION CUP

BUFFER TYPE SUCTION BRACKET / SET SCREW

RoHS




M-PJGN (Nitrile rubber)
M-PJGS (Silicone rubber)

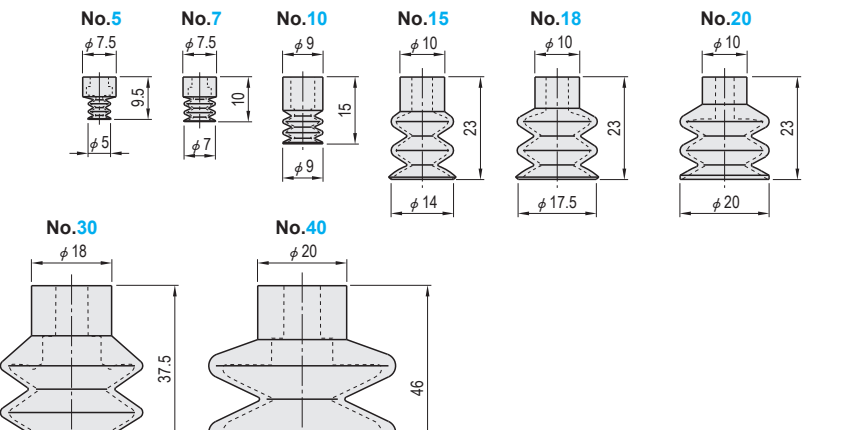


Part Number	Material	Hardness	Usable temperature range	Color
M-PJGN	NBR (nitrile rubber)	Shore A55	-26~120°C	Black
M-PJGS	Silicone rubber	Shore A55	-60~250°C	White

RoHS



M-PCGN (Nitrile rubber)
M-PCGS (Silicone rubber)



Part Number	Material	Hardness	Usable temperature range	Color
M-PCGN	NBR (nitrile rubber)	Shore A55	-26~120°C	Black
M-PCGS	Silicone rubber	Shore A55	-60~250°C	White

Applicable metal fittings	Mounting type	Set Screw	Cup diameter	Part Number		Unit price for 1~19 pcs	
				Type	No.	M-PJGN	M-PJGS
KTPCY1.5A	Embedded type	TNPS2A	4	M-PJGN (Nitrile rubber)	4	Quotation	
			6		6		
KTPCY5A	Embedded type	TNPS10	8	M-PJGN (Nitrile rubber)	8		
			10		10		
KTPCY10	Screw fastening type	TNPF15	15	M-PJGS (Silicone rubber)	15		
			20		20		
KTPCY20	Screw fastening type	TNPF20	25	M-PJGS (Silicone rubber)	25		
			30		30		
KTPCY20B	Screw fastening type	TNPF25	35	M-PJGS (Silicone rubber)	35		
			40		40		

Order Part Number **M-PJGN8**

Days to Ship **Quotation**

Price

Order Quantity	Standard Service	Non-Standard Service - Large Quantity
Quantity	1~19	20~100
Rate	Standard	5% To be quoted

Applicable metal fittings	Mounting type	Set Screw	Cup diameter	Part Number		Unit price for 1~19 pcs	
				Type	No.	M-PCGN	M-PCGS
KTPCY5A	Embedded type	TNPS10	5	M-PCGN (Nitrile rubber)	5	Quotation	
			7		7		
KTPCY10	Screw fastening type	TNPC10	10	M-PCGN (Nitrile rubber)	10		
			15		15		
KTPCY10	Screw fastening type	TNPC10	18	M-PCGS (Silicone rubber)	18		
			20		20		
KTPCY20B	Screw fastening type	TNPC30	32	M-PCGS (Silicone rubber)	30		
			42		40		

Order Part Number **TNPS10**

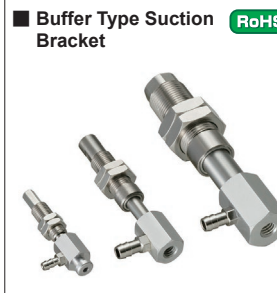
Days to Ship **Quotation**

Price

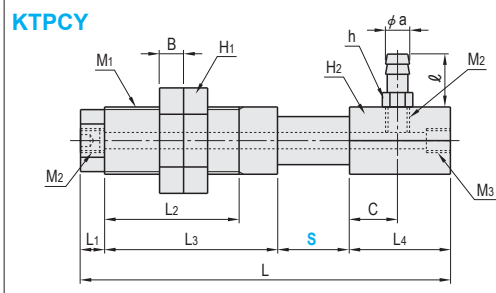
Please check with our WOS for the purchase order that exceeds the displayed quantity.

For the embedded type, attach the cup directly to the bracket. For the screw fastening type, attach the cup to the bracket (right page). The cup can be directly fastened to the bracket by using the set screws for both the embedded type and screw type.

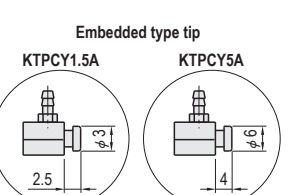
RoHS



KTPCY



Embedded type tip



Material Shaft · Spring : Stainless steel
Fitting : Aluminum alloy
Fixture/nut/fitting : Brass

Surface treatment Fitting : Alodine finish
Fixture/nut/fitting : Nickel plating

M1	B	Allen sideH1	C	Allen sideH2	M2	M3	φ a	Allen sideh	ℓ	L	L1	L2	L3	L4	Load (N) F1 (min.) F2 (max.)	Mounting type	Part Number		Unit price	
																	Type	No.	Stroke S	1~19 pcs
M 6×0.75	2.5	8	6	8	M3×0.5	—	3	4	7.6	35 38	7	15	15	10	0.59 0.69	Embedded type	KTPCY	1.5A	3	Quotation
																			6	
M 6×0.75	2.5	8	6	8	M3×0.5	—	3	4	7.6	35 38	7	15	15	10	0.59 0.69	Screw fastening type	KTPCY	5A	3	
																			6	
M 8×0.75	3	12	8	10	M5×0.8	M5×0.8	5	5.5	11	50 57	9	17	23	15	0.61 1.17	Screw fastening type	KTPCY	10	3	
																			6	
M14×1.0	5	19	10	14	M5×0.8	M5×0.8	5	5.5	11	65 74	5	28	36	18	2.45 4.9	Screw fastening type	KTPCY	20	6	
																			15	
M14×1.0	5	19	10	14	M5×0.8	M6×1.0	5	5.5	11	68 77	5	28	36	21	2.45 4.9	Screw fastening type	KTPCY	20B	6	
																			15	
										114		50	58		2.9	5.88			30	

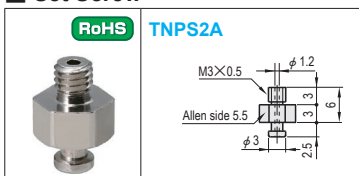
For the embedded type, attach the cup directly to the bracket. For the screw fastening type, attach the cup to the bracket. Please check with our WOS for the purchase order that exceeds the displayed quantity. The cup can be directly fastened to the bracket by using the set screws for both the embedded type and screw type.

Order Part Number **KTPCY5A** — Stroke **6**

Days to Ship **Quotation**

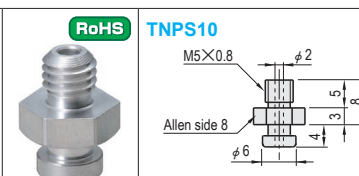
Set Screw

RoHS **TNPS2A**



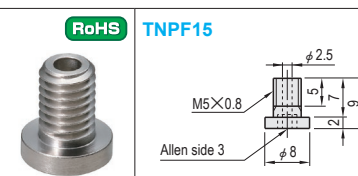
Material Aluminum alloy
Surface treatment Alodine finish

RoHS **TNPS10**



Material Aluminum alloy
Surface treatment Alodine finish

RoHS **TNPF15**

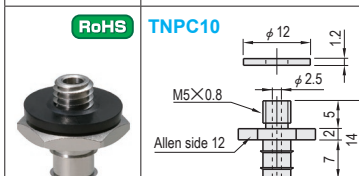


Material Brass
Surface treatment Nickel plating

Part Number	Unit price	
	1~19 pcs	20~100 pcs
TNPS2A		
TNPS10		
TNPC10		
TNPF15		
TNPF20		
TNPF25		

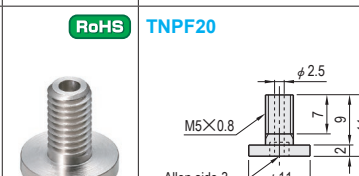
Please check with our WOS for the purchase order that exceeds the displayed quantity.

RoHS **TNPS10**



Material Screw : Brass
Gasket : NBR
Surface treatment Nickel plating

RoHS **TNPF20**

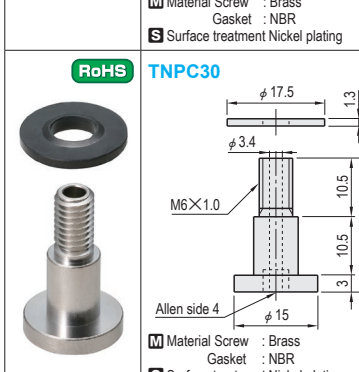


Material Brass
Surface treatment Nickel plating

Order Part Number **TNPS10**

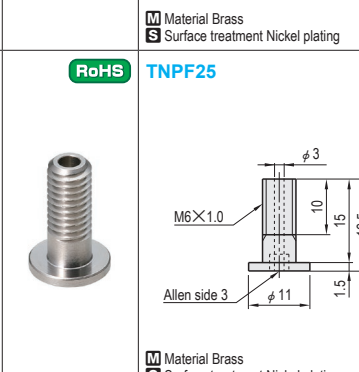
Days to Ship **Quotation**

RoHS **TNPC30**



Material Screw : Brass
Gasket : NBR
Surface treatment Nickel plating

RoHS **TNPF25**



Material Brass
Surface treatment Nickel plating