
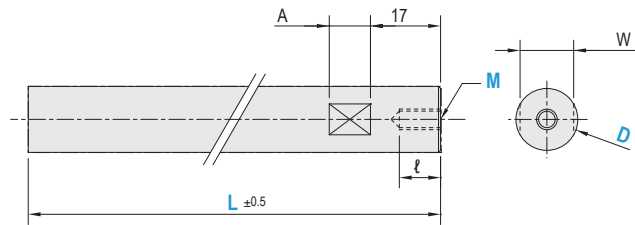


HEIGHT ADJUSTMENT SHAFT

—BLANK / L DIMENSION DESIGNATION TYPE—



AT—HASB (Blank type)
AT—HASL (L dimension designation type)



Type	M Material	S Surface treatment
AT—HASB (Blank type)	A6061 equivalent	White alumite
AT—HASL (L dimension designation type)		

- This product is to be used in combination with parts for chuck plates listed in this catalog. Note that it may not be assemblable with other products.
- The shaft end face may not have an alumite finish.

■ Blank Type

Wrench groove		M×P	ℓ	Weight (g) ^{*1}			Part Number		L Selection	Screw size M	Unit price (1~10 pcs)			
A	W			L50	L100	L150	Type	D			L50	L100	L150	
8	8	M5×P0.8	10	10	21	31	AT—HASB (Blank type)	10	50 100 150	M5	Quotation			
10	13			23	47	71								15
10	17			42	84	127								20

- *1 The weight is an approximate value. Consider it a guideline.
- Please check with our WOS for the purchase order that exceeds the displayed quantity.

Order **Part Number** — **L** — **Screw size**
AT—HASB10 — **50** — **M5**

Days to Ship **Quotation**

■ L Dimension Designation Type

Wrench groove		M×P	ℓ	Weight (g/1mm) ^{*1}	Part Number		L 1mm increments	Screw size M	Unit price (1~10 pcs)			
A	W				Type	D			L30~50	L51~100	L101~150	
8	8	M5×P0.8	10	0.21	AT—HASL (L dimension designation type)	10	30~150	M5	Quotation			
10	13			0.47								15
10	17			0.84								20

- *1 The weight is an approximate value. Consider it a guideline.
- Please check with our WOS for the purchase order that exceeds the displayed quantity.


Order **Part Number** — **L** — **Screw size**
AT—HASL10 — **118** — **M5**

Days to Ship **Quotation**

FLAT FRAME / 20 MM SQUARE ALUMINUM FRAME

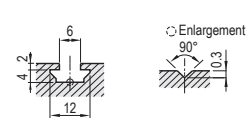
—L DIMENSION DESIGNATION TYPE—

Flat Frame

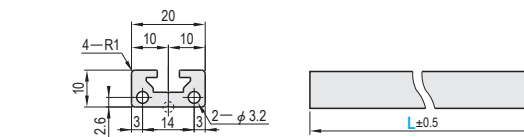


RoHS It conforms to M5 bolts.

Groove shape



HFSFIN5—1020



M Material A6N01SS-T5
S Surface treatment White alumite treatment

Type	Part Number		L 1mm increments	Mass kg/m	Cross-sectional area mm ²	Area moment of inertia mm ⁴		Unit price under 300mm	Unit price/m 300mm or more
	No.	Frame				ℓx	ℓy		
HFSFIN	5	1020	50~3000	0.36	131	0.12×10 ⁴	0.53×10 ⁴	Quotation	

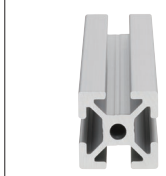
Order **Part Number** — **L**
HFSFIN5—1020 — **1200**

Days to Ship **Quotation**

Order Quantity	Standard Service		Non-Standard Service
	Standard Order	Large Order	Large Order
Quantity	1~80	81~	81~
Shipment Date	Standard	To be quoted	

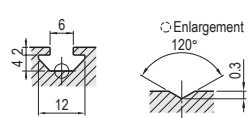
Please check with our WOS for the purchase order that exceeds the displayed quantity.

20 mm Square Aluminum Frame

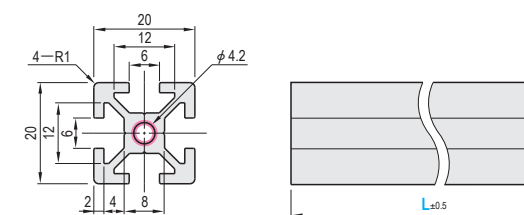


RoHS It conforms to M5 bolts.

Groove shape



HFS5—2020



M Material A6N01SS-T5
S Surface treatment White alumite treatment

Part Number	L 0.5mm increments	Mass kg/m	Sectional area mm ²	Area moment of inertia mm ⁴		Unit price Under 300mm			Unit price/m 300mm or more		
				ℓx	ℓy	1~9 pcs	10~49	50~160	1~9 pcs	10~49	50~160
HFS5	2020	0.5	183	0.742×10 ⁴	0.742×10 ⁴	Quotation			Quotation		

Order **Part Number** — **L**
HFS5—2020 — **800**

Days to Ship **Quotation**

Order Quantity	Standard Service		Non-Standard Service
	Standard Order	Large Order	Large Order
Quantity	1~79	80~160	161~
Shipment Date	Standard	+1 days	To be quoted

Please check with our WOS for the purchase order that exceeds the displayed quantity.