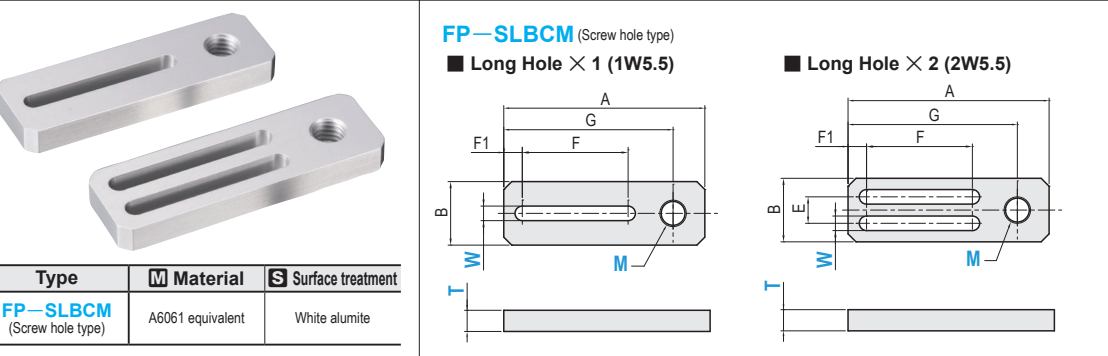


SLIDE BRACKET

—SCREW HOLE TYPE—



| Type | M Material | S Surface treatment |
|----------------------------|------------------|---------------------|
| FP-SLBCM (Screw hole type) | A6061 equivalent | White alumite |

⚠ This product is to be used in combination with parts for chuck plates listed in this catalog. Note that it may not be assemblable with other products.

■ Slide Bracket (no mounting bolt)

| A | B | T | G | W | F | F1 | E | M×P | Weight (g)*1 | | Part Number | | Long mounting hole W | Plate T | Unit price 1~10 pcs | |
|----|----|---|----|-----|----|----|----|----------|--------------|----|----------------------|---|----------------------|---------|---------------------|----|
| | | | | | | | | | T5 | T8 | Type | M | | | T5 | T8 |
| 76 | 24 | 8 | 64 | 5.5 | 40 | 7 | 12 | M6×P0.75 | 21 | 34 | FP-SLBCM | 6 | 1W5.5 (1 long hole) | T5 | Quotation | |
| | | | | | | | | M8×P0.75 | 21 | 34 | | | | | | |
| | | | | | | | | M10×P1.0 | 21 | 33 | | | | | | |
| | | | | | | | | M14×P1.0 | 20 | 31 | | | | | | |
| | | | | | | | | M16×P1.0 | 19 | 30 | | | | | | |
| | | | | | | | | M6×P0.75 | 18 | 29 | | | | | | |
| | | | | | | | | M8×P0.75 | 18 | 29 | 2W5.5 (2 long holes) | | | | | |
| | | | | | | | | M10×P1.0 | 18 | 28 | | | | | | |
| | | | | | | | | M14×P1.0 | 17 | 27 | | | | | | |
| | | | | | | | | M16×P1.0 | 16 | 26 | | | | | | |
| | | | | | | | | M6×P0.75 | 18 | 29 | | | | | | |
| | | | | | | | | M8×P0.75 | 18 | 29 | | | | | | |

*1 The weight is an approximate value. Consider it a guideline. ⚠ Please check with our WOS for the purchase order that exceeds the displayed quantity.

⚠ Mounting bolts are not included. If required, select the model number of the "mounting bolt set" in the table below.

■ Slide Bracket (mounting bolt set)

| Part Number | Long mounting hole W | Plate T | Mounting bolt | Unit price 1~10 pcs | | |
|-------------|----------------------|---------|----------------------------|---------------------|-----------------------------|---|
| | | | | T5 | T8 | |
| FP-SLBCM | 1W5.5 (1 long hole) | T5 | AS1M5 AF1M5 (1 M5 bolt) | Quotation | | |
| | | | | | 6 | |
| | | | | | 8 | |
| | 2W5.5 (2 long holes) | | T8 | | AS2M5 AF2M5 (2 M5 bolts) | |
| | | | | | | 6 |
| | | | | | | 8 |

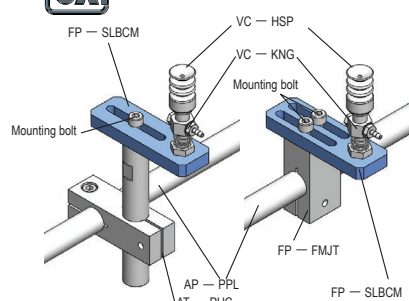
■ Bolt Set Details

| Mounting bolt | Plate T | Mounting bolt details | Applicable parts |
|---------------------------------------|---------|-----------------------|--|
| AS1M5 (M5, 1 pc) AS2M5 (M5, 2 pcs) | 5 | M5×P0.8—14 (CB5-14) | Shaft: AT-HAS□ Pipe joint: FP-FMJT |
| | 8 | M5×P0.8—16 (CB5-16) | |
| AF1M5 (M5, 1 pc) AF2M5 (M5, 2 pcs) | 5 | M5×P0.8—10 (CB5-10) | Aluminum frame HFS5-2020 / HFSFIN5-1020 |
| | 8 | M5×P0.8—12 (CB5-14) | |

⚠ Please check with our WOS for the purchase order that exceeds the displayed quantity.

Order

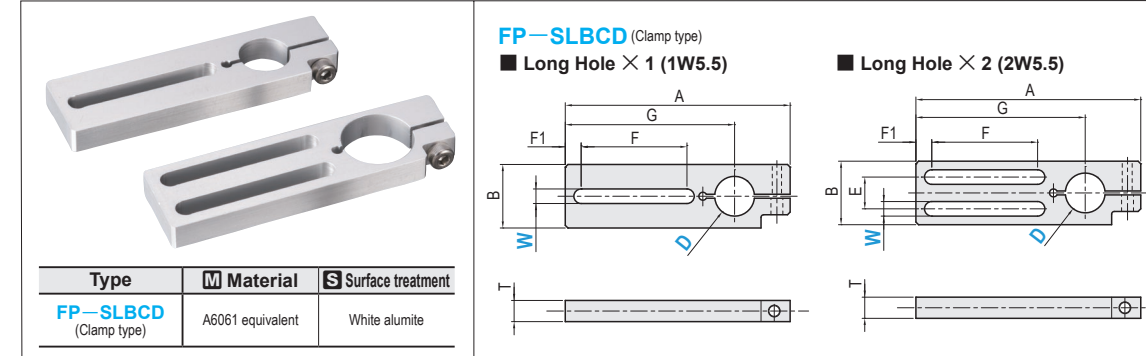
| | | | |
|-------------|--------------------|----|---------------|
| Part Number | Long mounting hole | T | Mounting bolt |
| FP-SLBCM10 | 1W5.5 | T5 | |
| FP-SLBCM14 | 2W5.5 | T8 | AS2M5 |



Days to Ship **Quotation**

SLIDE BRACKET

—CLAMP TYPE—



| Type | M Material | S Surface treatment |
|-----------------------|------------------|---------------------|
| FP-SLBCD (Clamp type) | A6061 equivalent | White alumite |

⚠ This product is to be used in combination with parts for chuck plates listed in this catalog. Note that it may not be assemblable with other products.

⚠ When clamping the shaft, tighten with a slit of under 1 mm as a guide.

■ Slide Bracket (no mounting bolt)

| A | B | T | G | W | F | F1 | E | Bolt for clamp | Weight (g)*1 | Part Number | | Long mounting hole W | Unit price 1~10 pcs | |
|----|----|---|----|-----|----|----|----|---------------------------------|--------------|-------------|----|----------------------|---------------------|----|
| | | | | | | | | | | Type | D | | | |
| 85 | 24 | 8 | 64 | 5.5 | 40 | 6 | 12 | M4×P18 1 pc (Accessories) | 33 | FP-SLBCD | 10 | 1W5.5 (1 long holes) | Quotation | |
| | | | | | | | | | | | | | | 31 |
| | | | | | | | | | | | | | | 28 |
| | | | | | | | | | | | | | | 28 |
| | | | | | | | | | | | | 2W5.5 (2 long holes) | | 10 |
| | | | | | | | | | | | | | | 15 |
| | | | | | | | | | | | | | | 20 |
| | | | | | | | | | | | | | | 23 |

*1 The weight is an approximate value. Consider it a guideline.

⚠ Please check with our WOS for the purchase order that exceeds the displayed quantity.

⚠ Mounting bolts are not included. If required, select the model number of the "mounting bolt set" in the table below.

■ Slide Bracket (mounting bolt set)

| Part Number | Long mounting hole W | Mounting bolt | Unit price 1~10 pcs | |
|-------------|----------------------|----------------------------|---------------------|----|
| FP-SLBCD | 1W5.5 (1 long hole) | AS1M5 AF1M5 (1 M5 bolt) | Quotation | |
| | | | | 10 |
| | | | | 15 |
| | 2W5.5 (2 long holes) | AS2M5 AF2M5 (2 M5 bolt) | | |
| | | | | 10 |
| | | | | 15 |

■ Bolt Set Details

| Mounting bolt | Mounting bolt details | Applicable parts |
|---------------------------------------|-----------------------|--|
| AS1M5 (M5, 1 pc) AS2M5 (M5, 2 pcs) | M5×P0.8—16 (CB5-16) | Shaft: AT-HAS□ Pipe joint: FP-FMJT |
| AF1M5 (M5, 1 pc) AF2M5 (M5, 2 pcs) | M5×P0.8—12 (CB5-14) | Aluminum frame HFS5-2020 / HFSFIN5-1020 |

⚠ Please check with our WOS for the purchase order that exceeds the displayed quantity.

Order

| | | |
|-------------|--------------------|---------------|
| Part Number | Long mounting hole | Mounting bolt |
| FP-SLBCD20 | 2W5.5 | |
| FP-SLBCD10 | 1W5.5 | AF1M5 |

Days to Ship **Quotation**