
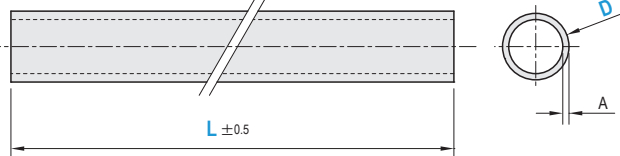


ROUND PIPE (ALUMINUM)

—BLANK / L DIMENSION DESIGNATION TYPE—



AT-PPB (Blank type)
AT-PPL (L dimension designation type)



Type	Material	Surface treatment
AT-PPB (Blank type)	A6061 equivalent	White alumite
AT-PPL (L dimension designation type)		

⚠ This product is to be used in combination with parts for chuck plates listed in this catalog. Note that it may not be assemblable with other products.
⚠ The pipe end face may not have an alumite finish.

■ Blank Type

A	Weight (g) ^{*1}			Part Number		L Selection	Unit price (1~10 pcs)		
	L500	L1000	L1500	Type	D		L500	L1000	L1500
1.4	51	102	153	AT-PPB (Blank type)	10	500	Quotation		
	81	161	242		15	1000			
2	153	305	458		20	1500			

*1 The weight is an approximate value. Consider it a guideline.
⚠ Please check with our WOS for the purchase order that exceeds the displayed quantity.

Order Part Number — L
AT-PPB10 — **500**

Days to Ship Quotation

■ L Dimension Designation Type


A	Weight (g/1mm) ^{*1}	Part Number		L 1mm increments	Unit price (1~10 pcs)		
		Type	D		L200~500	L501~1000	L1001~1500
1.4	0.10	AT-PPL (L dimension designation type)	10	Quotation			
	0.16		15				
2	0.31		20				

*1 The weight is an approximate value. Consider it a guideline.
⚠ Please check with our WOS for the purchase order that exceeds the displayed quantity.

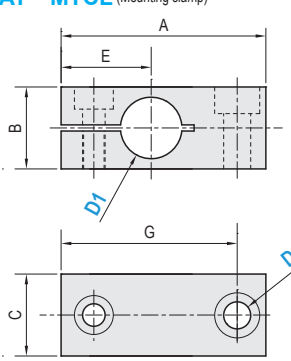
Order Part Number — L
AT-PPL15 — **285**

Days to Ship Quotation

MOUNTING CLAMP



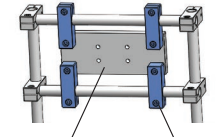
AT-MTCL (Mounting clamp)



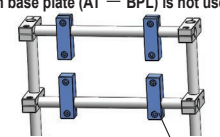
Type	Material	Surface treatment
AT-MTCL (Mounting clamp)	A6061 equivalent	White alumite

ex Example

When base plate (AT-BPL) is used



When base plate (AT-BPL) is not used



⚠ This product is to be used in combination with parts for chuck plates listed in this catalog. Note that it may not be assemblable with other products.
⚠ When clamping the pipe, tighten with a slit of under 1 mm as a guide.

■ Mounting Clamp

Body type	A	B	C	E	G	Weight (g) ^{*1}	Pipe fixing bolt (Accessories)	Part Number		D	Unit price 1~10 pcs	
								Type	D1			
For mounting M5	45	14	14	20	38	20	M4-8: 1 pc	AT-MTCL	10	Quotation		
	50	20	20	22	43	44	M5-12: 1 pc		15		5.5	
	55	24	24	26	48	64	M6-15: 1 pc		20			
For mounting M6	45	14	14	20	38	20	M4-8: 1 pc		10		Quotation	
	50	20	20	22	43	43	M5-12: 1 pc		15			6.6
	55	24	24	26	48	63	M6-15: 1 pc		20			
For mounting M8	52	20	20	22	43	43	M5-12: 1 pc	15	Quotation			
	57	24	24	26	49	64	M6-15: 1 pc	20		9		

*1 The weight is an approximate value. Consider it a guideline.
⚠ Please check with our WOS for the purchase order that exceeds the displayed quantity.

■ Mounting Clamp (Mounting Bolt Set)

Part Number Type	D1	D	Mounting bolt	Unit price		
				1~10 pcs		
AT-MTCL	10	BPT5	BPT12	Quotation		
	15				5.5	
	20					
	10	BPT12			Quotation	
	15					6.6
	20					
15	BPT12	Quotation				
20			9			

■ Bolt Set Details

Mounting clamp model (Mounting bolt set)	Applicable base plate (AT-BPL) Thickness T	Mounting bolt details	Mounting clamp model (Mounting bolt set)	Applicable base plate (AT-BPL) Thickness T	Mounting bolt details
AT-MTCL10-D5.5-BPT5	5 (AT-BPL□□-T5)	M5×P0.8-12 (CB5-12): 1 pc	AT-MTCL10-D5.5-BPT12	12 (AT-BPL□□-T12)	M5×P0.8-20 (CB5-20): 1 pc
AT-MTCL15-D5.5-BPT5		M5×P0.8-20 (CB5-20): 1 pc	AT-MTCL15-D5.5-BPT12		M5×P0.8-25 (CB5-25): 1 pc
AT-MTCL20-D5.5-BPT5		M5×P0.8-22 (CB5-22): 1 pc	AT-MTCL20-D5.5-BPT12		M5×P0.8-30 (CB5-30): 1 pc
AT-MTCL10-D6.6-BPT5		M6×P1.0-12 (CB6-12): 1 pc	AT-MTCL10-D6.6-BPT12		M6×P1.0-20 (CB6-20): 1 pc
AT-MTCL15-D6.6-BPT5		M6×P1.0-18 (CB6-18): 1 pc	AT-MTCL15-D6.6-BPT12		M6×P1.0-25 (CB6-25): 1 pc
AT-MTCL20-D6.6-BPT5		M6×P1.0-22 (CB6-22): 1 pc	AT-MTCL20-D6.6-BPT12		M6×P1.0-30 (CB6-30): 1 pc
AT-MTCL15-D9-BPT5		M8×P1.25-16 (CB8-16): 1 pc	AT-MTCL15-D9-BPT12		M8×P1.25-22 (CB8-22): 1 pc
AT-MTCL20-D9-BPT5		M8×P1.25-20 (CB8-20): 1 pc	AT-MTCL20-D9-BPT12		M8×P1.25-25 (CB8-25): 1 pc

Order Part Number — D — Mounting bolt
AT-MTCL20 — **D5.5**
AT-MTCL15 — **D6.6** — **BPT5**

Days to Ship Quotation