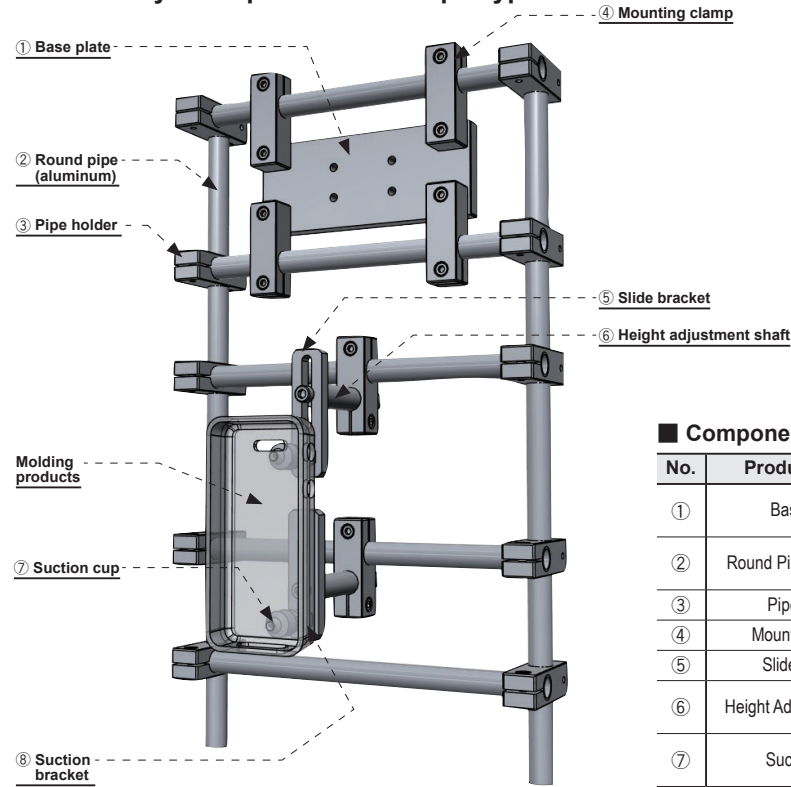


# OVERVIEW OF CHUCK PLATE PARTS

# BASE PLATE

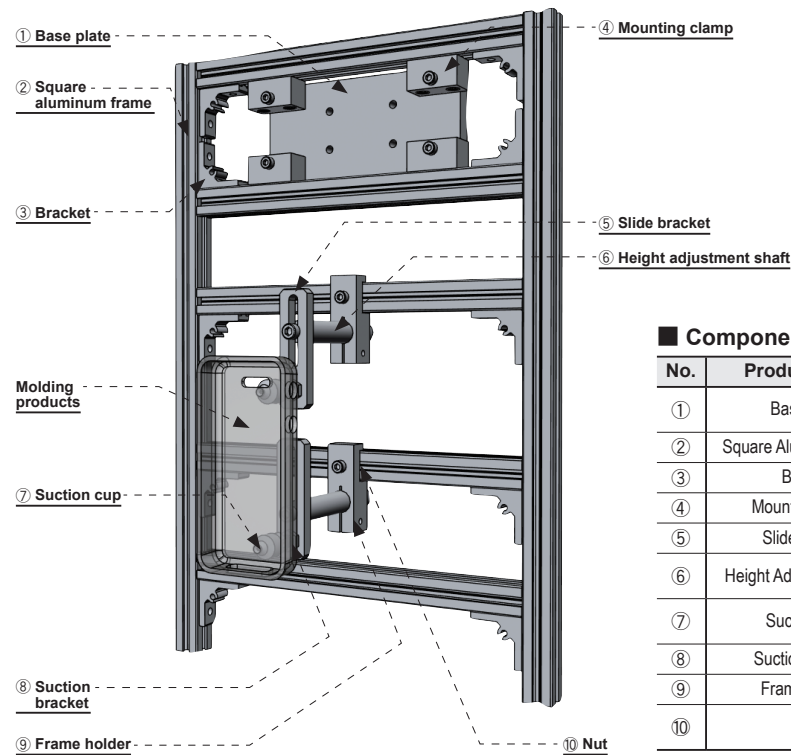
## Assembly Example of Round Pipe Type



### Components

No.	Product Name	Type	Page
①	Base Plate	AT-BPLN AT-BPL	P.58
②	Round Pipe (aluminum)	AT-PPB AT-PPL	P.59
③	Pipe Holder	AT-PHC	P.61
④	Mounting Clamp	AT-MTCL	P.60
⑤	Slide Bracket	FP-SLBCM	P.63
⑥	Height Adjustment Shaft	AT-HASB AT-HASL	P.65
⑦	Suction Cup	VC-SP VC-HSP	P.78
⑧	Suction Bracket	VC-KNG	P.79

## Assembly Example of Square Frame Type



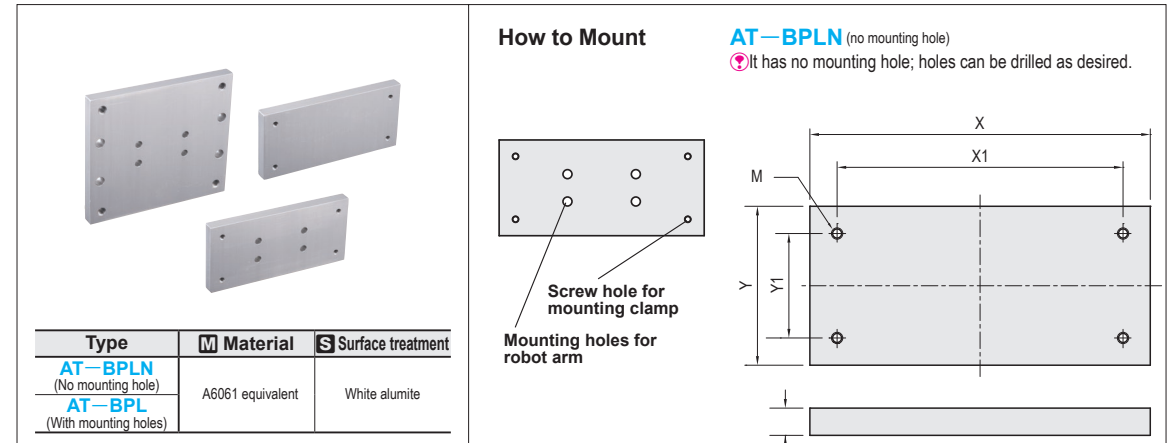
### Components

No.	Product Name	Type	Page
①	Base Plate	AT-BPLN AT-BPL	P.58
②	Square Aluminum Frame	HFS5	P.66
③	Bracket	HBKTS5	P.68
④	Mounting Clamp	AT-FRCLS	P.69
⑤	Slide Bracket	FP-SLBCM	P.63
⑥	Height Adjustment Shaft	AT-HASB AT-HASL	P.65
⑦	Suction Cup	VC-SP VC-HSP	P.78
⑧	Suction Bracket	VC-KNG	P.79
⑨	Frame Holder	AT-FRHC	P.70
⑩	Nut	HNTE5 HNTAP5	P.67

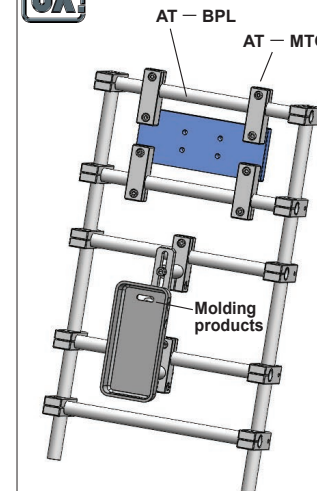
### How to Mount

#### AT-BPLN (no mounting hole)

It has no mounting hole; holes can be drilled as desired.



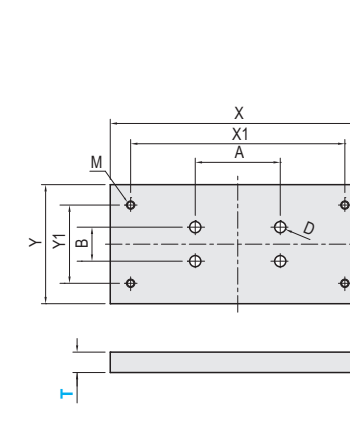
#### Example



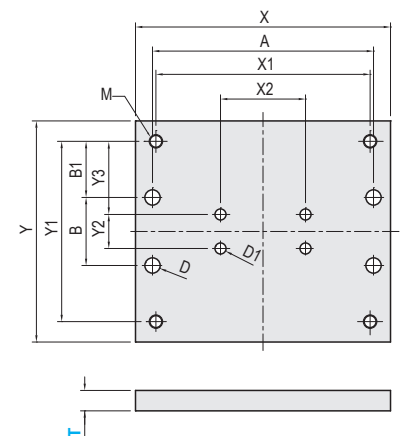
#### AT-BPL (with mounting holes)

Select the number of mounting holes, pitch (A/B) and hole diameter (D) to match the mounting part of the robot.

#### For 4-hole mounting



#### For 8-hole mounting



This product is to be used in combination with parts for chuck plates listed in this catalog. Note that it may not be assemblable with other products.

Mounting No. of holes	A	B	D	X	Y	T	X1	Y1	M	X2	Y2	D1	B1	Y3	Weight (g)*1	Part Number		T	Unit price 1-10 pcs	
																Type	No.			
No hole	-	-	-	-	70	-	-	-	-	-	-	-	-	-	141	AT-BPLN (No mounting hole)	150070	5		
															338		12			
															260		5			
4 holes	42	20	5.5	-	70	-	-	-	-	-	-	-	-	-	625	AT-BPL (With mounting holes)	042020	5	Quotation	
															140		12			
															336		5			
	50	20	6.6	-	70	12	126	46	M5	-	-	-	-	-	-		139	050020		5
																	333	12		
																	140	5		
	70	40	6.6	-	-	-	-	-	-	-	-	-	-	-	-		336	050027		5
																	139	12		
																	333	5		
8 holes	80	40	6.6	-	130	-	-	-	-	50	27	5.5	45	45	259	AT-BPL (With mounting holes)	070040	5		
															621		12			
	120	60	9	-	-	-	-	106	M8	80	40	6.6	35	35	257		120060	5		
															617		12			
	130	40	9	-	-	-	-	-	-	50	20	6.6	55	45	257		130040	5		
															617		12			

\*1 The weight is an approximate value. Consider it a guideline.

Please check with our WOS for the purchase order that exceeds the displayed quantity.



Order	Part Number	T
	AT-BPLN150070	T5
	AT-BPL120060	T12



Days to Ship

Quotation